



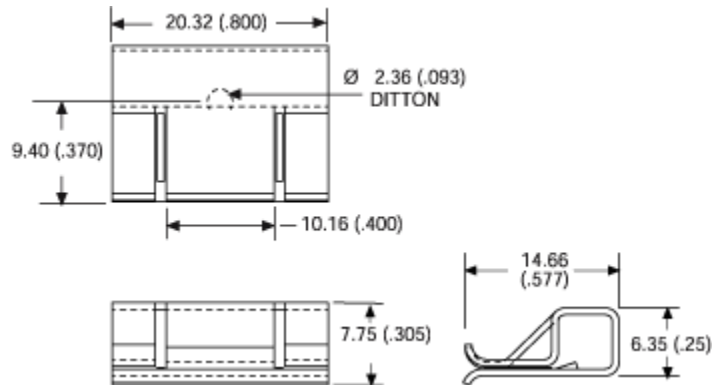
For use with TO-202 packages

574004b00000

VIS#002239



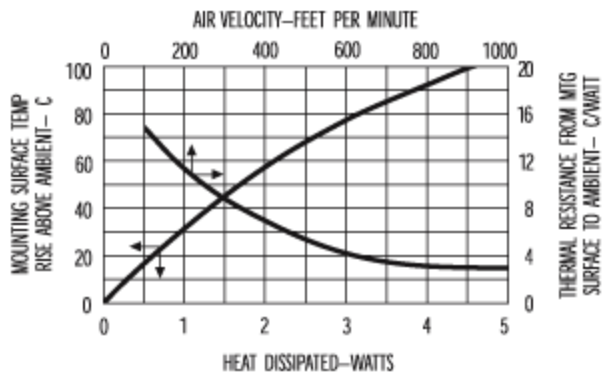
Mechanical Outline Drawing



| | |
|---------------------------|------|
| Thermal Resistance | 28.0 |
|---------------------------|------|

Thermal resistance value is based on
a 75°C rise in natural convection

Thermal Curves



Product Information

| 12 Digit Part # | Description | Finish | Board Mounting |
|-----------------|----------------------------------|---------------|----------------|
| 574004b00000 | Heat Sink with no added hardware | Black Anodize | N/A |

Not Exactly what you need?

We offer several options for those applications which require a more unique solution. For slight modifications of this part or other attachment options, finishes, and interface materials, contact your [local representative](#). Challenge us with your thermal requirements - we can design custom solutions.

For technical help with our Standard Products,
please call (603) 223-1921, or contact your local Manufacturer's Rep
Email: info@aavid.com

Visit us at www.aavidthermalloy.com • ©2002 Aavid Thermalloy, LLC