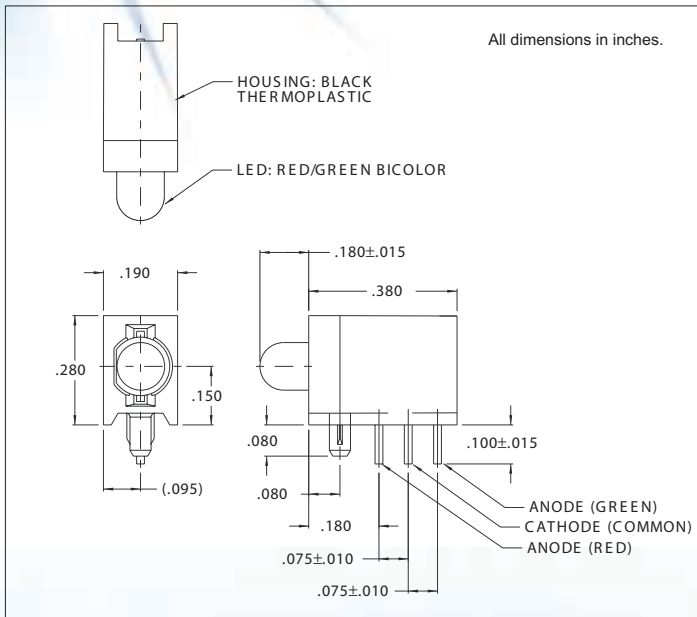


**5361 Series Tri-Color Right Angle LED Assembly**  
**DESCRIPTION AND FEATURES**



**Features**

- 3 lead, dual-chip LED with common cathode
- Lights red or green.
- Brightness-matched chips for even illumination.
- Flat lens styles.
- Provides multiple indications in a single compact package.

**ELECTRO-OPTICAL CHARACTERISTICS AND RATINGS**

Part Number	Color	Package Type	Package Color	Continuous Forward Current Max. (mA)	Forward Voltage Typ. (V)	Forward Voltage Max. (V)	Rated Current (mA)	Min. Lum. Intensity (mcd)	Typ. Lum. Intensity (mcd)
5361M1/5	Red	Diffused	White	30	2.0	2.5	20	650	5
	Green	Diffused	White	30	2.1	2.5	20	562	5