

53254

40VDC – 10A SOLID STATE RELAY

Mii

**HYBRID MICROELECTRONICS
PRODUCTS DIVISION**

Features:

- Hermetically Sealed Package
- 10A Continuous Output Current
- Optically Coupled
- Input/Output Isolation Tested to 1000 VDC
- Shock and Vibration Resistant

Applications:

- Power Distribution/Switching
- Solenoid Driver
- Stepper Motor Driver
- Switching Heaters

DESCRIPTION

The 53254 is a DC solid state relay (SSR) designed for high reliability industrial applications. This light weight device is resistant to damage from severe shock and vibration, and is immune to contact related problems inherent in electro-mechanical relays. The SSR is enclosed in a hermetic metal package to ensure reliability in harsh environments. Effective isolation of 1000 VDC between control and load circuits is achieved through the use of optical coupling.

Functionally, the device operates as a single-pole single-throw, normally open (1 Form A) DC solid-state relay. The SSR is actuated by an input current of 5 to 15 mA, which can be supplied from standard logic types such as open-collector TTL. Output is provided by a power MOSFET capable of carrying a continuous current of 10 amperes.

ABSOLUTE MAXIMUM RATINGS

Output Voltage	45 VDC
Continuous Output current	10 A
Peak Output Current ⁽¹⁾	20 A
Storage Temperature Range	-65°C to +150°C
Operating Junction Temperature	-55°C to +150°C
Lead Solder Temperature for 10 seconds	300°C
Continuous Input Current	25 mA
Peak Input Current ⁽²⁾	100 mA
Reverse Input Voltage	6 VDC

WEIGHT: 15 grams (typical)

Micropac Industries cannot assume any responsibility for any circuits shown or represent that they are free from patent infringement.
Micropac reserves the right to make changes at any time in order to improve design and to supply the best product possible.

RECOMMENDED OPERATING CONDITIONS:

Parameter	Symbol	Min.	Max.	Units
Output Voltage	$V_{O(OFF)}$		40	VDC
Continuous Output Current	$I_{O(ON)}$		10	A
Input Current (on)	$I_{F(ON)}$	5	15	mA
Input Voltage (off)	$V_{F(OFF)}$	0	1	VDC
Operating Case Temperature	T_C	-40	85	°C

ELECTRICAL SPECIFICATIONS

$T_C = -40^{\circ}\text{C}$ to $+85^{\circ}\text{C}$ unless otherwise specified

Parameter	Sym.	Min.	Typ.*	Max.	Unit s	Test Conditions	Notes
Output On-Resistance	$R_{(ON)}$	—	.025	.050	Ω	$I_F = 15\text{ mA}$ $I_O = 1\text{ A}$	
Output Leakage Current	$I_{O(OFF)}$	—	<1	250	μA	$V_F = 1\text{ VDC}$ $V_O = 45\text{ VDC}$	
Input Forward Voltage	V_F	—	3.75	4.20	VDC	$I_F = 15\text{ mA}$	
Input Reverse Breakdown Voltage	V_R	6	40	—	VDC	$I_R = 10\ \mu\text{A}$	
Input-Output Leakage	I_{I-O}	—	—	1	μA	$RH \leq 45\%$, $t = 5\text{ s}$ $V_{I-O} = 1000\text{ VDC}$ $T_C = 25^{\circ}\text{C}$	4, 5
Turn-On Time	t_{ON}	—	3.3	8.0	ms	$I_F = 15\text{ mA}$ $I_O = 1\text{ A}$ $V\text{ load} = 40\text{ VDC}$ Pulse width = 10 ms Duty cycle $\leq 1\%$	
Turn-Off time	t_{OFF}	—	0.35	3	ms		
Rise Time	t_R	—	2.5	6.0	ms		
Fall Time	t_F	—	.19	2.0	ms		6
Thermal Resistance (junction-case)	θ_{JC}	—	1.8	—	°C/W		

* All typical values are at $T_C = 25^{\circ}\text{C}$

Micropac Industries cannot assume any responsibility for any circuits shown or represent that they are free from patent infringement. Micropac reserves the right to make changes at any time in order to improve design and to supply the best product possible.

Notes:

1. Non-repetitive, pulse width $\leq 10\text{ms}$, $T_C = 25^\circ\text{C}$.
2. Non-repetitive, pulse width $\leq 100\mu\text{s}$, $T_C = 25^\circ\text{C}$.
3. Case Temperature $T_C = 25^\circ\text{C}$.
4. Input pins shorted together and output pins shorted together.
5. Input-output potential applied momentarily, not an operating condition.
6. Rise time is measured from 10% to 90% of load current (90% to 10% of V_O). Fall time is measured from 90% to 10% of load current (10% to 90% of V_O).

CAUTION:

Care should be taken so as not to exceed the maximum power dissipation and maximum junction temperature when repetitively switching loads.

INPUT	OUTPUT
ON	ON
OFF	OFF

Figure 1. Truth Table

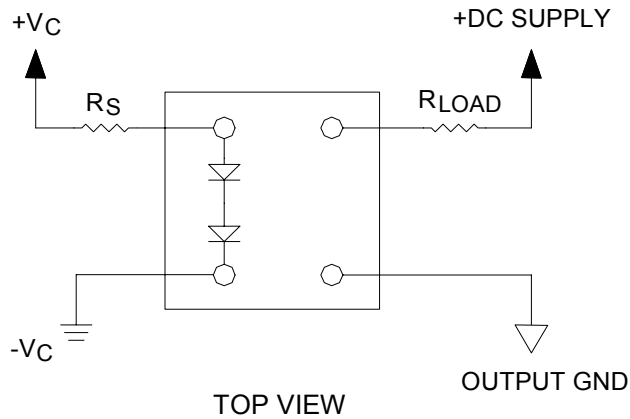
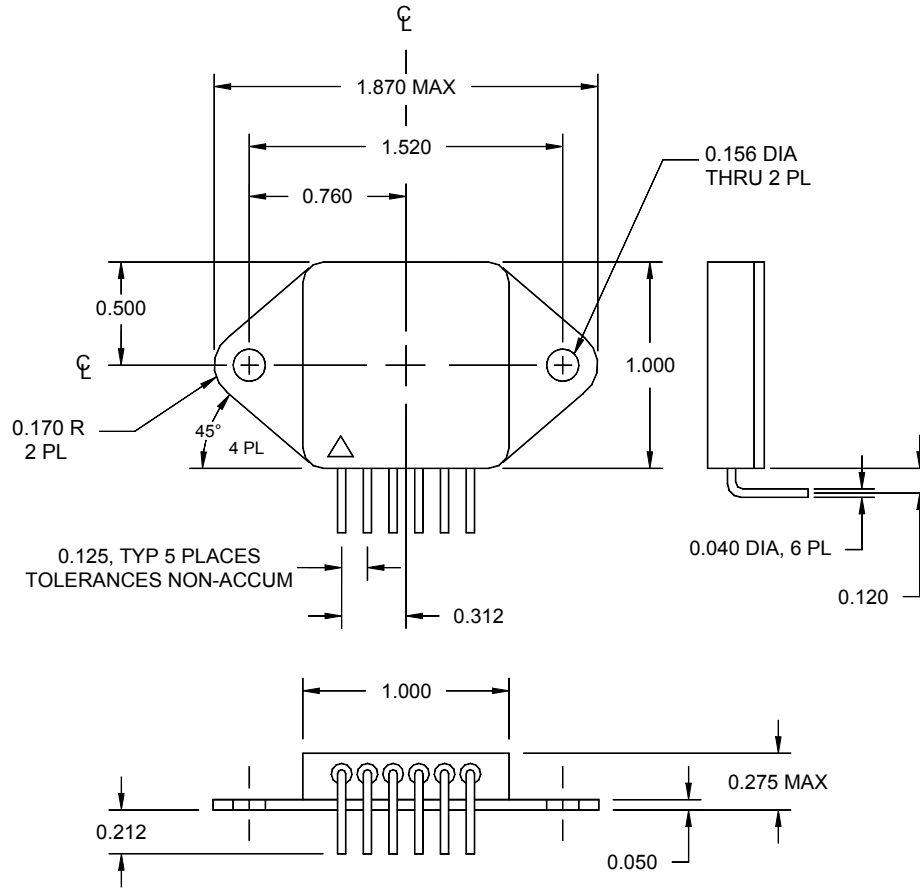


Figure 2. Terminal Connections

Micropac Industries cannot assume any responsibility for any circuits shown or represent that they are free from patent infringement.
Micropac reserves the right to make changes at any time in order to improve design and to supply the best product possible.



Dimensions: inches

Pin	Function
1	+IN
2	-IN
3	+OUT
4	+OUT
5	-OUT
6	-OUT

Notes: 1. For +OUT and -OUT functions, both pins must be used to meet the rated current.
2. ESD symbol (Δ) indicates pin 1.

Figure 3. Case Outline

Micropac Industries cannot assume any responsibility for any circuits shown or represent that they are free from patent infringement.
Micropac reserves the right to make changes at any time in order to improve design and to supply the best product possible.