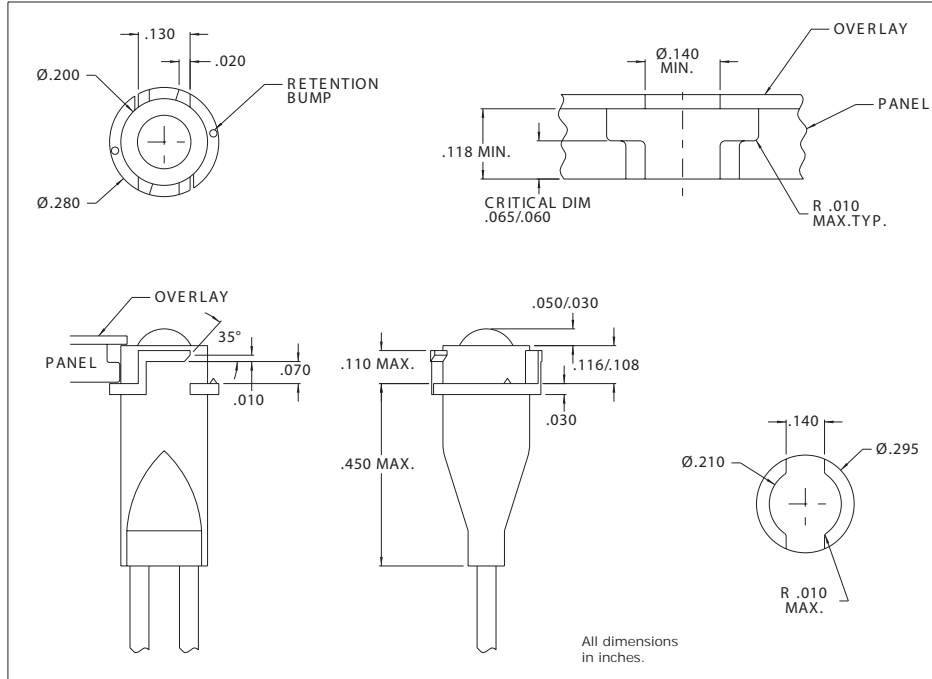




5120F Series Rear Panel Mounted LED Indicator Light

DESCRIPTION AND FEATURES



Features

- Super Brite T-1 LED.
- Diffused lens gives wide angle viewing.

Mounting: Rear twist into mounting hole specified.

Wire Leads: No.26 AWG, color: red/black, 4.4/4.8 long, stripped .430/.570

Anode(+): Red lead

Housing: Black nylon

ELECTRO-OPTICAL CHARACTERISTICS

Part Number	Color	Typ. Intensity (mcd)	Rated Current (mA)	Continuous Forward Current Max. (mA)	Forward Voltage Typ. (V)	Forward Voltage Max. (V)	Peak Forward Current @ 1ms-300pps (A)	Reverse Break-down Voltage Min. (V)
5120F1	Red	10	10	30	2.0	3.0	1.0	5
5120F5	Green	16	10	30	2.2	3.0	.09	5
5120F7	Yellow	6.3	10	30	2.1	3.0	1.0	5