

SCHOTTKY BARRIER DIODE

DESCRIPTION:

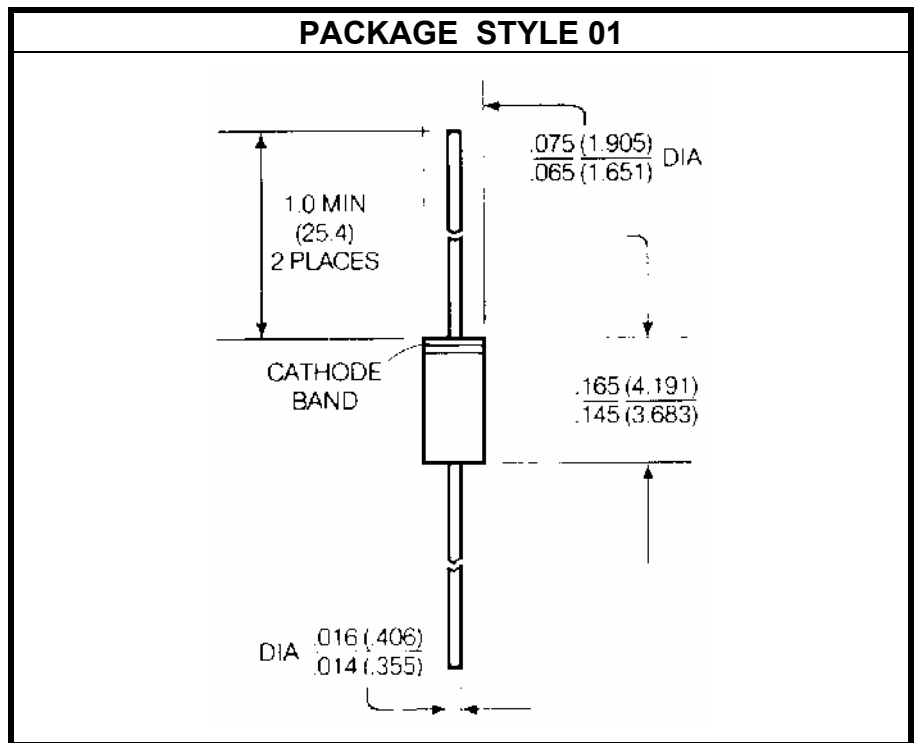
The **ASI 5082-2836** is a Silicon Small Signal Schottky Diode Designed for General Purpose UHF/VHF Detection and Pulse Applications. Color Band Indicates Cathode.

FEATURES:

- Batch Matched

MAXIMUM RATINGS

I	35 mA
V	70 V
P_{DISS}	250 mW @ T _C = 25 °C
T_J	-65 °C to +200 °C
T_{STG}	-65 °C to +200 °C



CHARACTERISTICS T_C = 25 °C

SYMBOL	TEST CONDITIONS	MINIMUM	TYPICAL	MAXIMUM	UNITS
V_R	I _R = 10 μA	70			V
I_R	V _R = 50 V			200	μA
V_F	I _F = 1.0 mA			410	mV
	I _F = 15 mA			1.0	V
ΔV_F	I _F = 10 mA			20	mV
ΔC_O	f = 1.0 MHz			0.1	pF
C_t	V _R = 0 V		f = 1.0 MHz	2.0	pF
τ	I _F = 5.0 mA			100	pS