

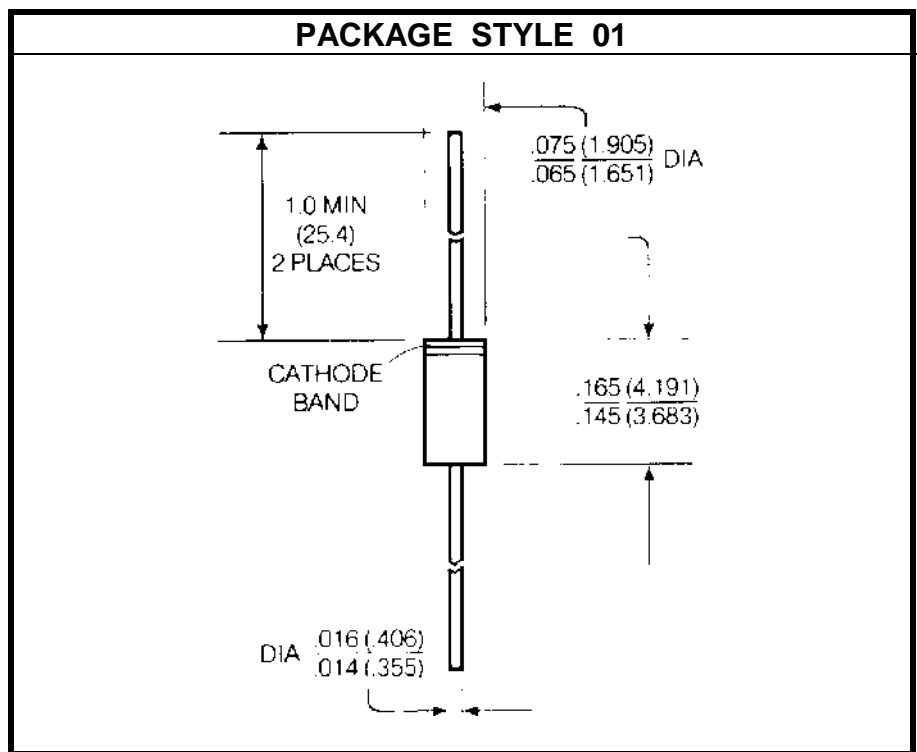
SCHOTTKY BARRIER DIODE

DESCRIPTION:

The **ASI 5082-2824** is a Silicon Small Signal Schottky Diode Designed for UHF/VHF Mixers, and Video Detector Applications. Color Band Indicates Cathode. RF Parameters are Sample Tested.

MAXIMUM RATINGS

| | |
|-------------------------|---------------------------------|
| I | 10 mA |
| V | 15 V |
| P_{DISS} | 250 mW @ T _A = 25 °C |
| T_J | -60 °C to +200 °C |
| T_{STG} | -60 °C to +200 °C |
| T_{SOLD} | t = 5.0 Sec. +260 °C |


CHARACTERISTICS T_C = 25 °C

| SYMBOL | TEST CONDITIONS | MINIMUM | TYPICAL | MAXIMUM | UNITS |
|-----------------|-------------------------------------|---------|---------|---------|-------|
| V _R | I _R = 10 μA | 15 | | | V |
| C _{J0} | V _R = 0 V | | 1.0 | | pF |
| T _{SS} | | | | -56 | dBm |
| R _V | P = -40 dBm R _L = 100 KΩ | 1.2 | | 1.8 | KΩ |
| γ | P = -40 dBm R _L = 100 KΩ | 6.0 | | | mV/μW |