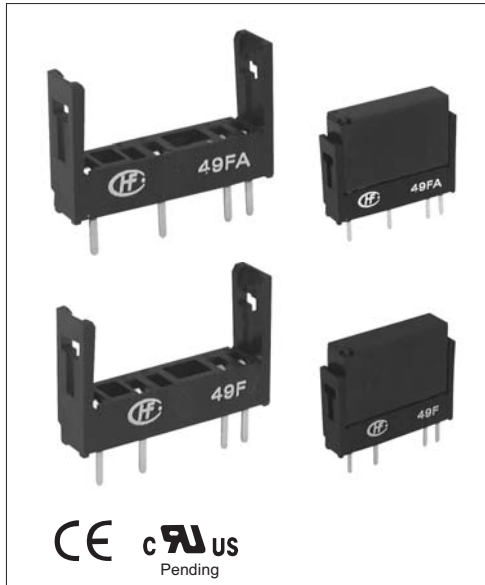


49F/49FA

RELAY SOCKET



CHARACTERISTICS

Ambient temperature :	-40 °C to 70°C
Rated voltage :	300VAC
Rated current :	10A (per pole)
Insulation voltage (Min.) :	5000VAC
Protection degree DIN40050 :	IP20
Socket material :	PBT V0 (UL)
Contacts spring material :	QSn6.5-0.1
Retainer :	non-available
White plastic tag :	non-available

Applicable relay type:

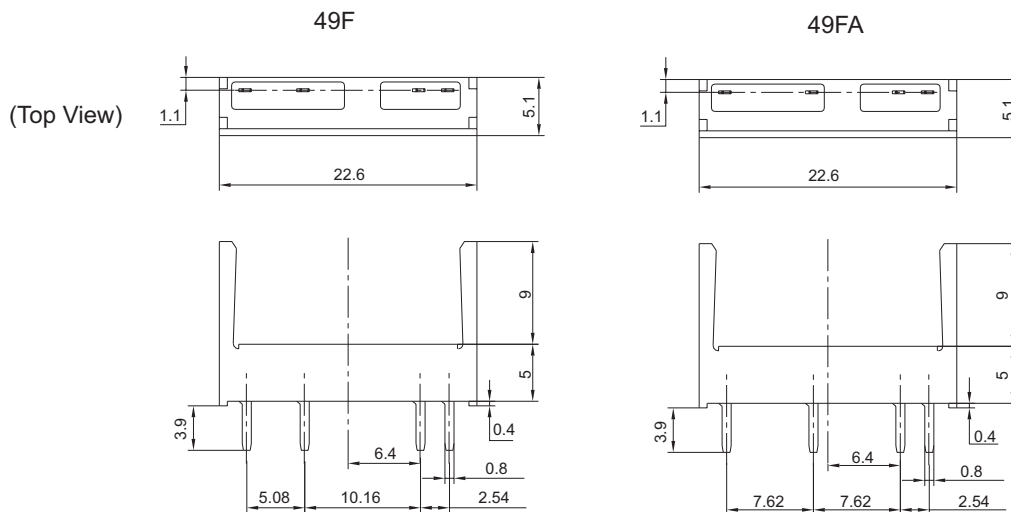
49F type is suitable for HF49F (JZC-49F).

49FA type is suitable for HF49FA (JZC-49FA).

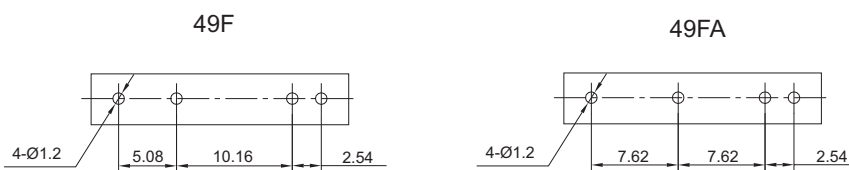
DIMENSIONS, PC BOARD LAYOUT AND WIRING DIAGRAM

Unit: mm

Outline Dimensions



PCB Layout



HONGFA RELAY

ISO9001、ISO/TS16949、ISO14001、OHSAS18001 CERTIFIED

2007 Rev. 1.00