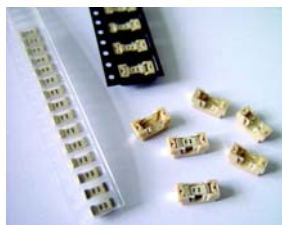
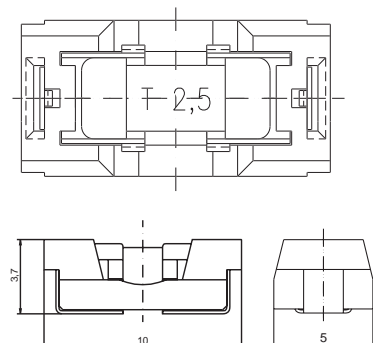


No. 425 / X-SMQ

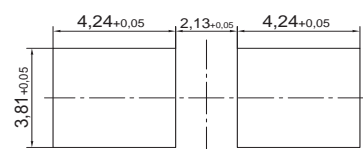
This product is not recommended for new designs. Please refer to Littelfuse No. 154T.



Dimensions (mm)



Pad Layout



Limits for Pre-arcing Time

Rated Current	2.0 x I _N
500mA ... 5.00A	1s ... 60s

UL 248-14, 125V, T

Holder with mounted fuse No. 420

Time-Current Characteristic

Time Lag (T)

Standard

UL 248-14
CSA C22.2 No. 248.14

Approvals

cULus Recognized

Features

Easy exchange of the fuse
For line or low voltage applications
Low voltage drop
Internationally approved
High pulse resistance
For reflow soldering

WebLinks

Further info see:

www.wickmanngroup.com

Further application info see Fuseology:

www.wickmann.com/download/fuseology.pdf

Specifications

Packaging

010: Blister tape 38 cm reel (1500pcs.)
tape width 16 mm

Materials of the Holder

Housing: Holder plastics UL94 V-0
Terminals: Copper alloy, Ni+Sn plated,
lead free

Operating Temperature

-55°C to +125°C (consider de-rating)

Climatic Category

-55°C/+125°C/21 days (IEC 60068-2-1...3)

Stock Conditions

+10°C to +60°C
relative humidity ≤ 75% yearly average,
without dew, maximum value for 30 days-95%

Vibration Resistance

24 cycles at 15 min. each (IEC 60068-2-6)
10 - 60Hz at 0.75mm amplitude
60 - 2000Hz at 10g acceleration

Solderability

235°C, 3 sec. (IEC 60068-2-58)

Soldering Heat Resistance

260°C, 10 sec. (IEC 60068-2-58)
280°C, 5 sec.

Minimum Cross Section, Copper

Conducting path - 0.1mm²
Thickness - 0.035mm

Mounting

Avoid circuit traces below the fuse

Marking on fuse

T, Current Rating

Unit Weight

0.4g (approx.)



Permissible continuous operating current is ≤ 70% at ambient temperature of 23°C (73.4°F).

Rated Current	Amp code	Voltage Rating	Breaking Capacity	Voltage Drop 1.0 x I _N (W) typ. (mV)	Power Dissipation 1.0 x I _N (W) typ. (mW)	Melting Integral 10 x I _N (W) min. (A ² s) typ.	Approvals cULus
500mA	0500	125V	50A / 125VAC 50-60Hz	430	230	0.22 0.29	•
750mA	0750	125V		300	270	0.75 1.0	
1.00A	1100	125V	50A / 80VDC	270	435	1.60 2.2	•
1.50A	1150	125V		150	270	3.20 5.0	
2.00A	1200	125V	35A / 125VAC 50-60Hz; cos φ = 1.0	165	380	5.50 6.8	•
2.50A	1250	125V		130	400	8.50 11.0	
3.00A	1300	125V	50A / 80VDC	125	450	11.0 14.5	•
3.50A	1350	125V		112	512	21.0 28.0	
4.00A	1400	125V	50A / 80VDC	110	560	30.0 40.0	•
5.00A	1500	125V		100	620	50.0 74.0	

*) Please note: The holder no. 425 is lead-free, but not the inserted fuse no. 420

Order Information

Qty.	Order-Number	Series	Amp Code	Packaging
		425		

Specifications are subject to change without notice

WebSite

www.wickmanngroup.com

Europe

Tel: +49 2302 662-107
E-mail: sales@wickmann.com

Americas

Tel: +1 404 699-7820
E-mail: service@wickmannusa.com

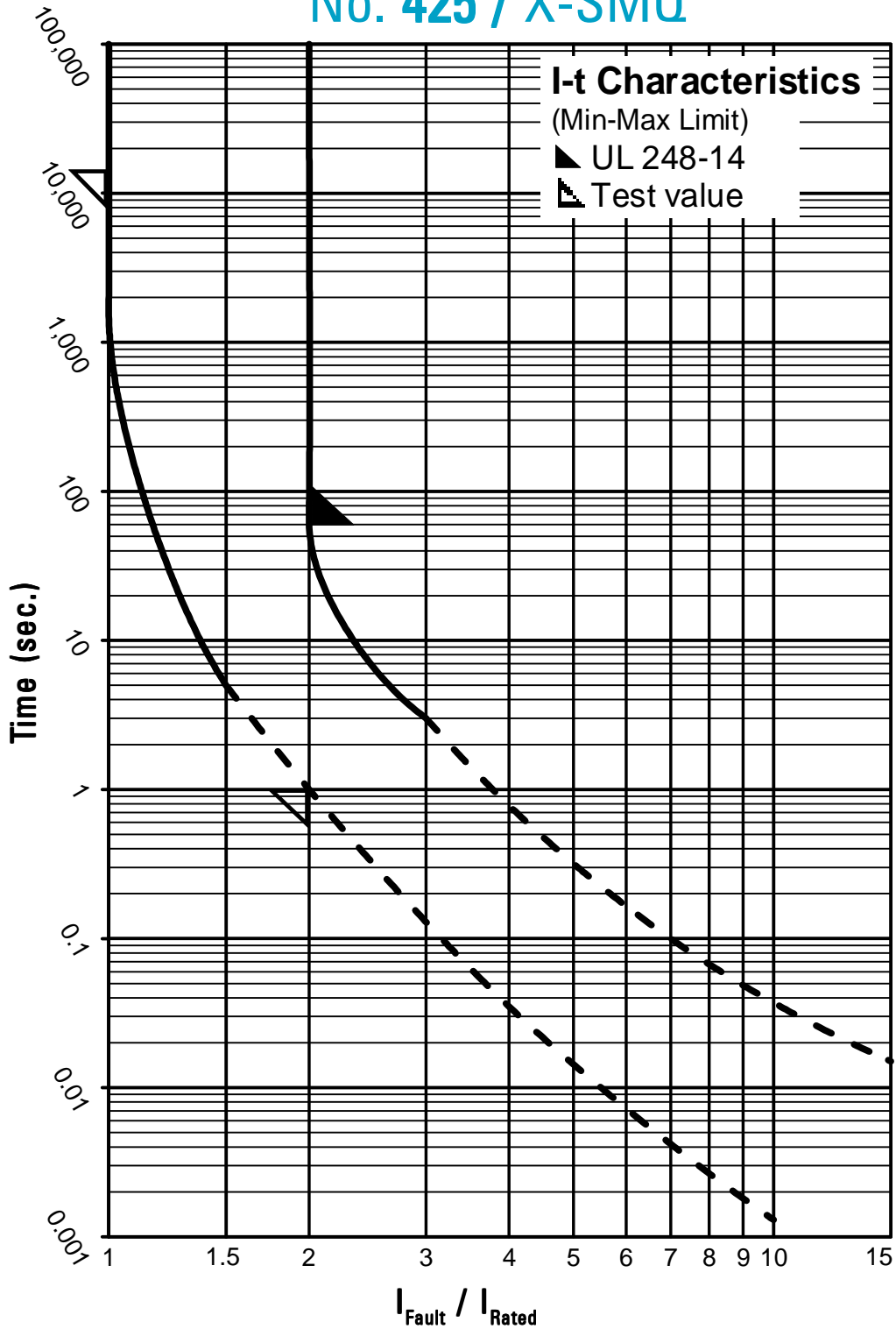
Asia

Tel: +852 26 14-1108
E-mail: sales@wickmann.com.hk

China

Tel: +86 21 6432 5146
E-mail: sales@wickmann.com

No. 425 / X-SMQ



Contact WICKMANN for individual I-t curves