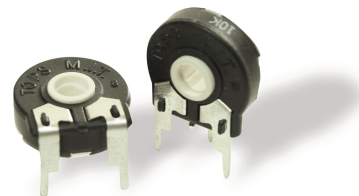


**MODEL 39**  
**15 mm Single-Turn Trimmer**  
**Dust Proof**  
**Carbon Element**  
**RoHS Compliant**

*New Product*



**STYLES AVAILABLE**

Top Adjust	39P
Side Adjust	39W

**ELECTRICAL<sup>1</sup>**

Resistance Range	100 to 1,000,000 Ohms
Standard Resistance Tolerance	± 30%, (±20% and ±10% available)
Input Voltage, Maximum	250 Vdc
Power rating, Watts	Linear :0.25W, others : 0.15W, at 50°C
End Resistance, Maximum	< 500K - 2 ohms and ≥ 500K - 1%
Actual Electrical Travel	250° ±20°
Insulation Resistance, Minimum	100 Megohms
Resolution	Essentially infinite
Contact Resistance Variation	5% Max.

**MECHANICAL**

Torque, Maximum	2 in. oz.
Weight, Approx.	0.01 oz.
Wiper Position	Approx. 50%

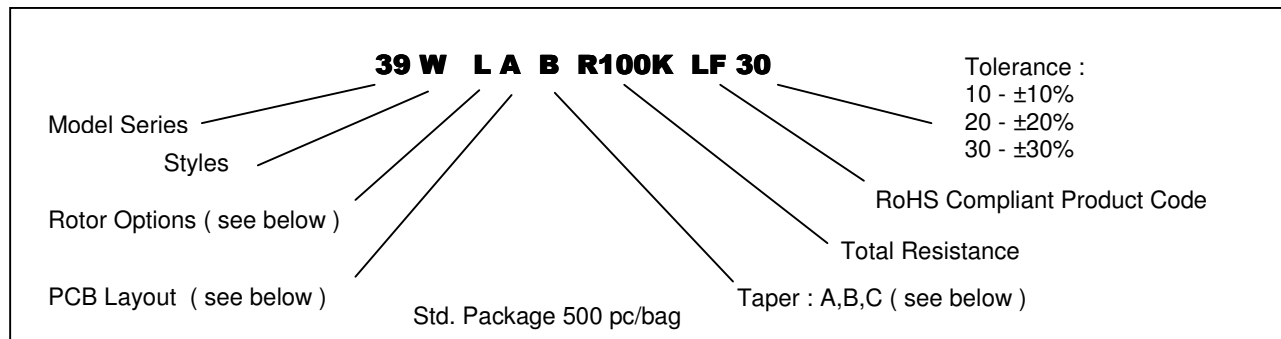
**ENVIRONMENTAL**

Operating Temperature Range	-25°C to +70°C
Rotational Life, 500 Cycles	±3% ΔR
Load Life, 0.25W, 1000 Hours, 50°C	±5% ΔR
Resistance to Solder Heat	260°C for 3 sec.
Aqueous cleaning not recommended	

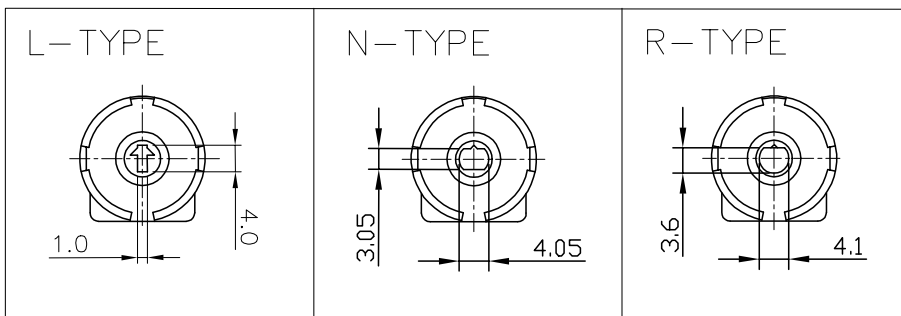
<sup>1</sup> Specifications subject to change without notice.

# MODEL 39

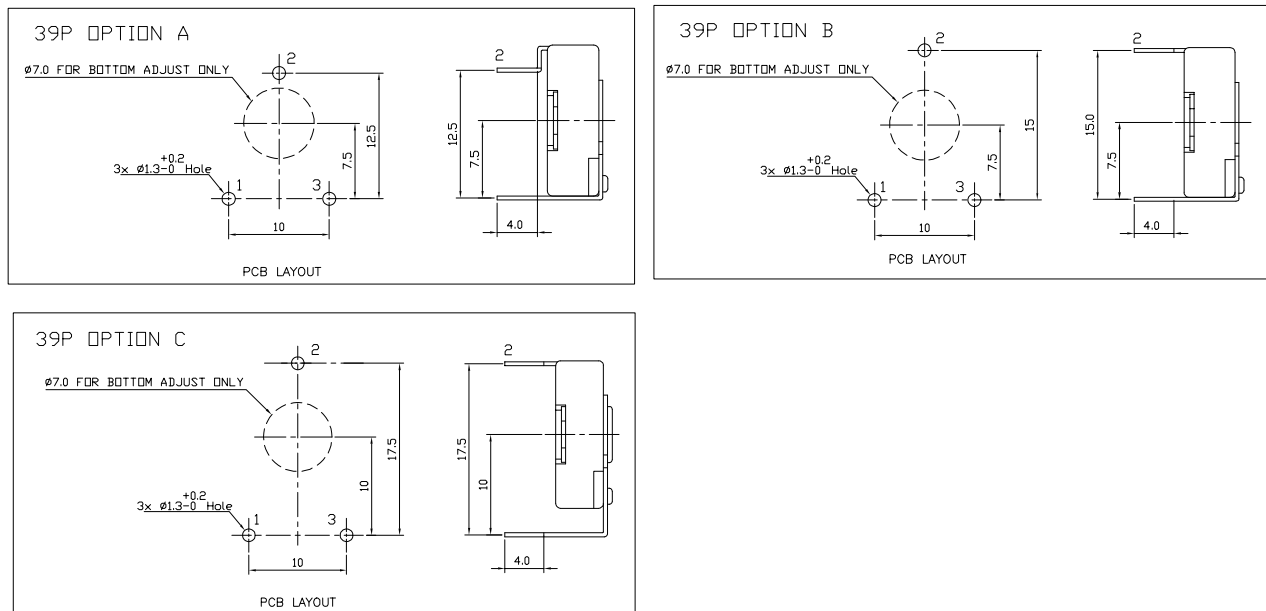
## ORDERING INFORMATION<sup>2</sup>



### Rotor Options



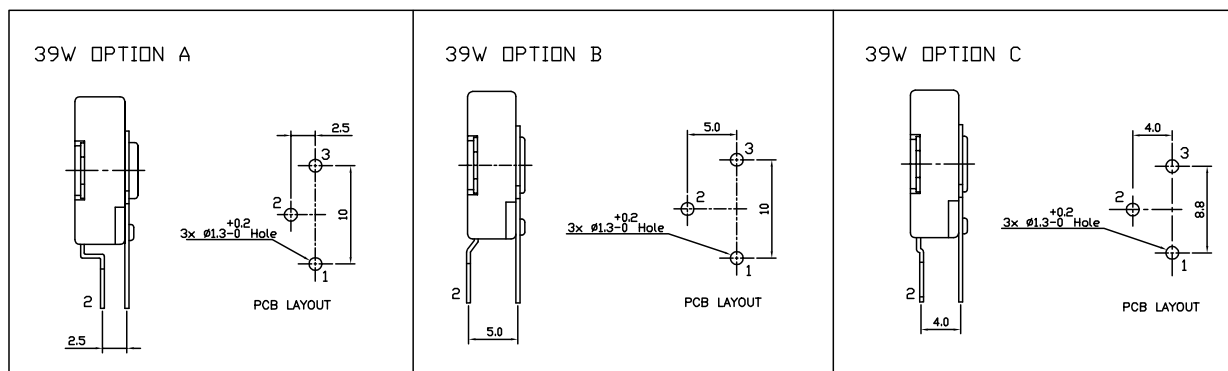
### PCB Layout Options (39P)



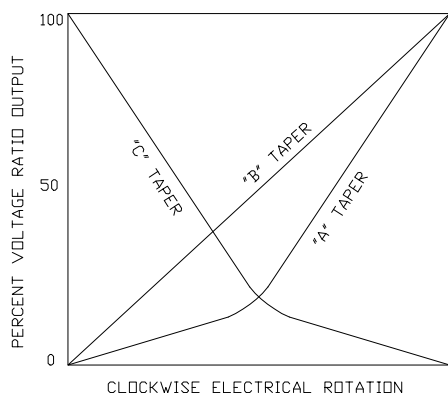
<sup>2</sup> Contact our customer service for custom designs and features.

# MODEL 39

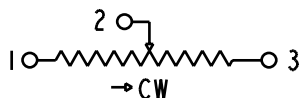
## PCB Layout Options (39W)



## Taper Options



## CIRCUIT DIAGRAM



## STANDARD RESISTANCE VALUES AND MARKING

100 500 1K 2K 5K 10K 20K 50K 100K 200K 500K 1MEG

BI Technologies Corporation  
4200 Bonita Place, Fullerton, CA 92835 USA

Phone: 714 447 2345 Website: [www.bitechnologies.com](http://www.bitechnologies.com)

April 16, 2007

page 3 of 4

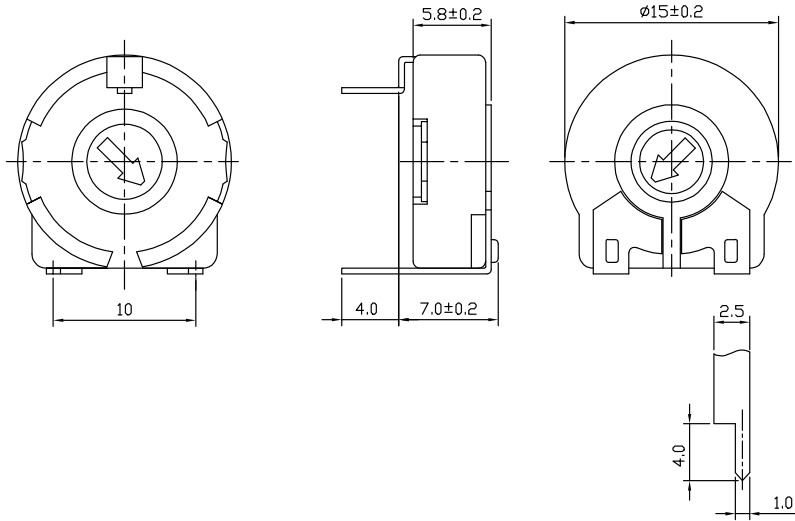


**BI technologies**

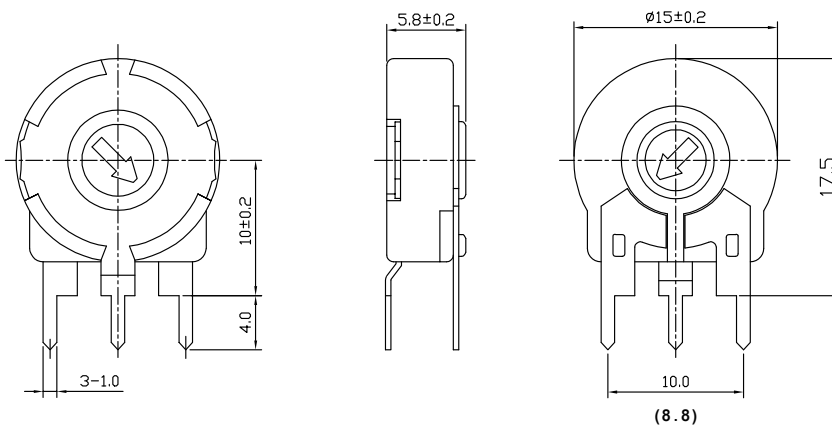
# MODEL 39

## OUTLINE DRAWING<sup>3</sup>

### Model 39P (Top Adjust)



### Model 39W (Side Adjust)



<sup>3</sup> Dimensions are in millimeters, Tolerances are ±.025 mm unless otherwise stated.