



Features

- Optimized for video over ADSL 2+ applications
- Fast and easy DSL installation
- Service interoperability and compatibility
- Multiple "Home Run" connections
- Meets requirements of ITU G.992.3/5 and ANSI T1.413
-  UL Listed per UL 1863

361xA2 Series ADSL2+ POTS Splitters

Bourns® 3610A2, 3611A2 and 3612A2 models are high quality ADSL2+ POTS splitters designed to fit industry-standard Network Interface Devices (NIDs). The new POTS splitters are optimized for high bit rate video over ADSL2+ applications. The products are ANSI T1.413 compliant and meet the requirements of ITU G.992.3 and G.992.5. The 361xA2 POTS splitters accept the incoming combined voice & data service, filter off the voice (POTS) channel and provide a connection point for the DSL data services (ADSLx modem). In the event of power loss, the passive filter design allows for lifeline POTS service.

Bourns offers the ADSL2+ POTS splitter in three industry standard footprints (binding post, snap in and bus mount) which occupy only a single space in the NID. Fitted with screw terminals and flying leads, the 361xA2 units can be installed in minutes. When combined with a Bourns® Multi-Stage (MSP®) Station Protector, Sealed Switching Jack, and optional IDC expansion bridge, a complete ADSL2+ solutions package is provided for the customer premises.

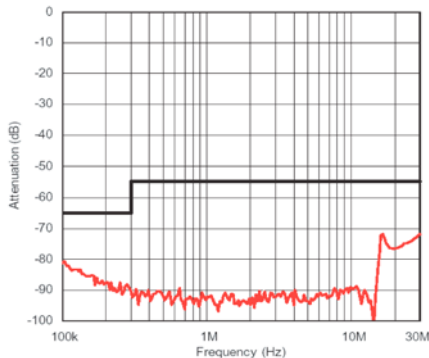
Characteristics

DC Loop Current	0-100 mA
DC Loop Voltage	0 to -60 V
DC Resistance	≤25 ohms
Insertion Loss (Voice Band)	<1.0 dB
Attenuation Distortion (Voice Band)	< ±0.5 dB
Delay Distortion (Voice Band)	<200 μs
Return Loss (Voice Band)	8 dB ERL; 5 dB SRL-Low; 5 dB SRL-High
Longitudinal Balance, Two Port Technique, POTS to Line Port (U-R); Line Port to POTS	>58 dB @ 0.2 to 1 kHz >53 dB @ 3 kHz
ADSL Band Attenuation	>65 dB @30 kHz – 300 kHz >55 dB @301 kHz – 20 MHz
Tip to Ring Capacitance (POTS Port)	<115 nF
Input Impedence (Loading the ADSL Band)	<0.25 dB 30 kHz – 30 MHz

How To Order

Stud Mount	Part #3610A2
Press Mount	Part #3611A2
Bus Mount	Part #3612A2

Band Attenuation



Reliable Electronic Solutions

Asia-Pacific:
TEL +886-2 25624117
FAX +886-2 25624116

Europe:
TEL +41-41 7685555
FAX +41-41 7685510

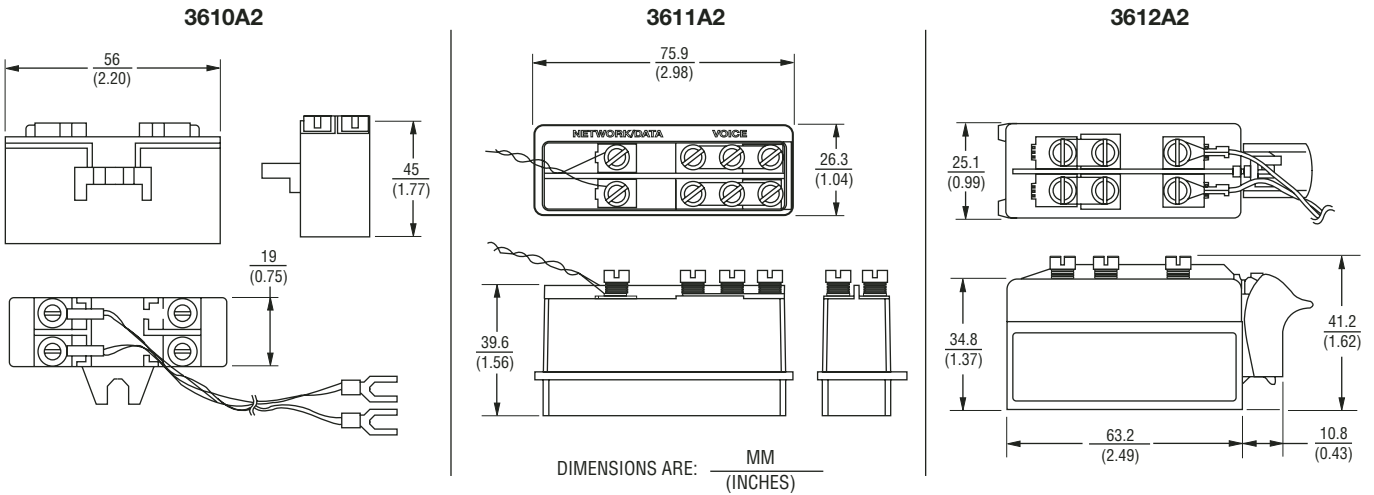
The Americas:
TEL +1-951 781-5500
FAX +1-951 781-5700

www.bourns.com

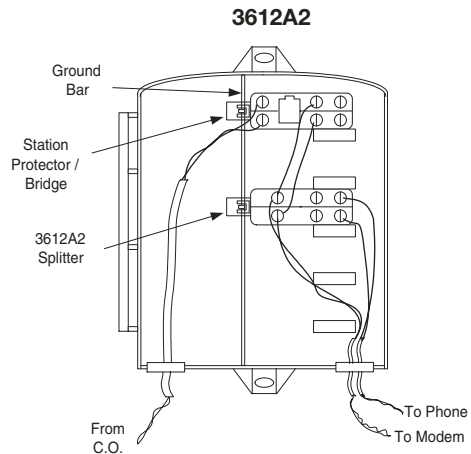
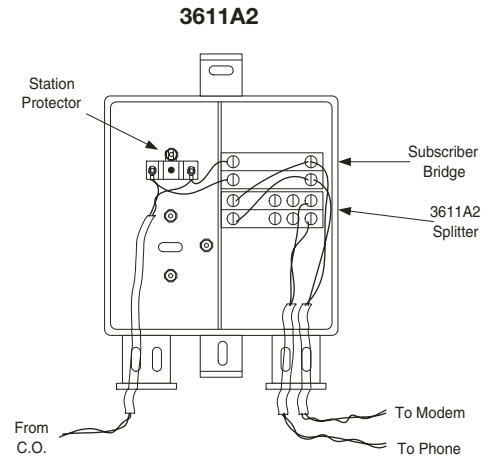
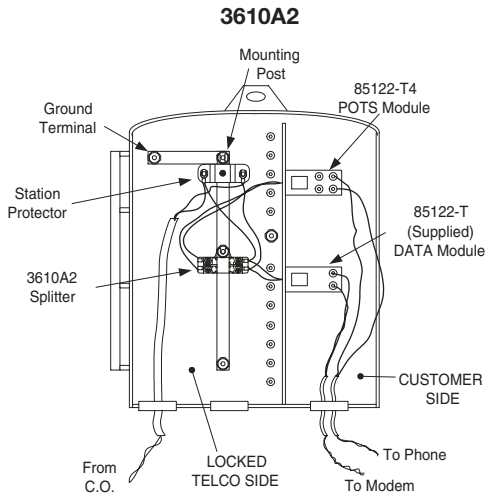
361xA2 Series ADSL2+ POTS Splitters

BOURNS®

Product Dimensions



Installation Diagrams



REV. A 05/05

Specifications are subject to change without notice. Customers should verify actual device performance in their specific applications.