

# MODEL 35

**New Product**

## 3 mm Single-Turn Open Frame Surface Mount Cermet Trimming Potentiometer

RoHS Compliant



### MODELS AVAILABLE

Top Adjust	35W
------------	-----

### ELECTRICAL<sup>1</sup>

Resistance Range	100 to 1,000,000 Ohms
Standard Resistance Tolerance	± 25%
Input Voltage, Maximum	50 V
Power rating, Watts	0.1 @ 70°C
End Resistance, Maximum	>1000 Ohms: 20 Ohms Max; > 1000 Ohms: 2% Max.
Actual Electrical Travel	220° ±20°
Mechanical Travel (35E)	280° ±20°
Insulation Resistance, Minimum	100 Megohms
Resolution	Essentially infinite
Contact Resistance Variation	5% Max.
Temperature Coefficient of Resistance	±250 ppm/°C

### MECHANICAL

Torque, Maximum (35W, 35C)	2.8 in. oz.
Torque, Maximum (35E)	1.4 in. oz.
Weight, Approx.	0.01 oz.
Wiper Position	Approx. 50%

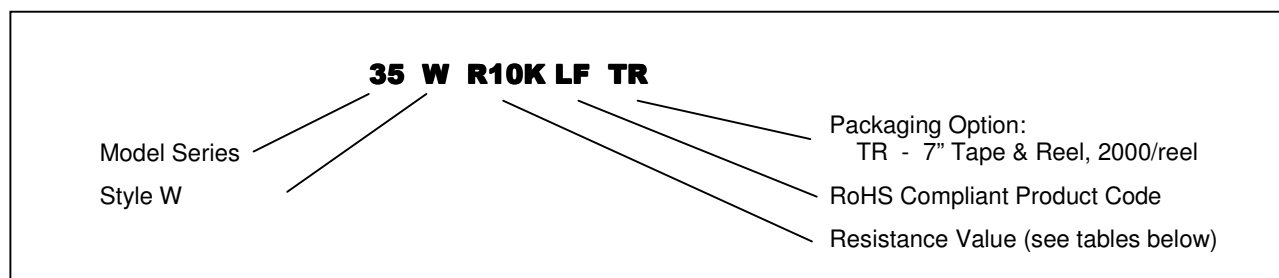
<sup>1</sup> Specifications subject to change without notice.

# MODEL 35

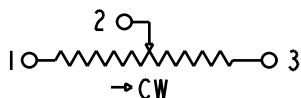
## ENVIRONMENTAL

Operating Temperature Range	-40°C to +125°C
Rotational Life, 20 Cycles	±15% ΔR
Load Life, 0.1W, 1000 Hours, 70°C	±5% ΔR
Resistance to Solder Heat	260°C for 10 sec.
Aqueous cleaning not recommended	

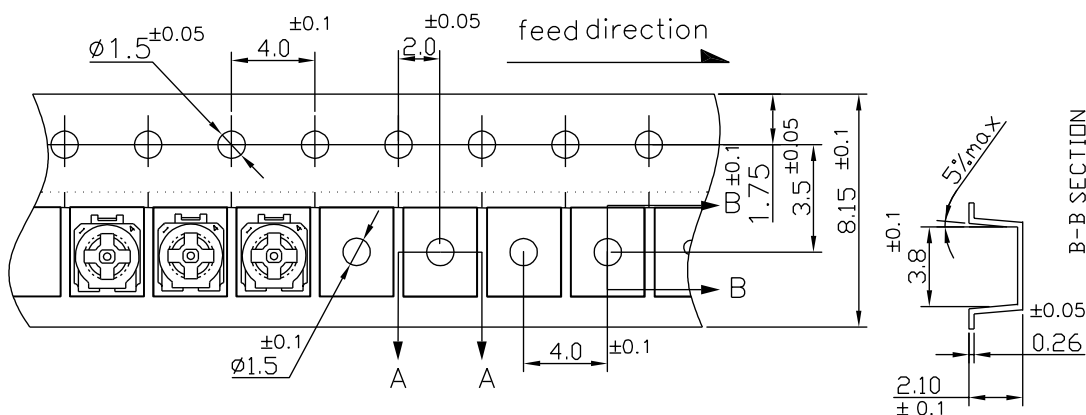
## ORDERING INFORMATION<sup>2</sup>



## CIRCUIT DIAGRAM



## PACKAGING



<sup>2</sup> Contact our customer service for custom designs and features.

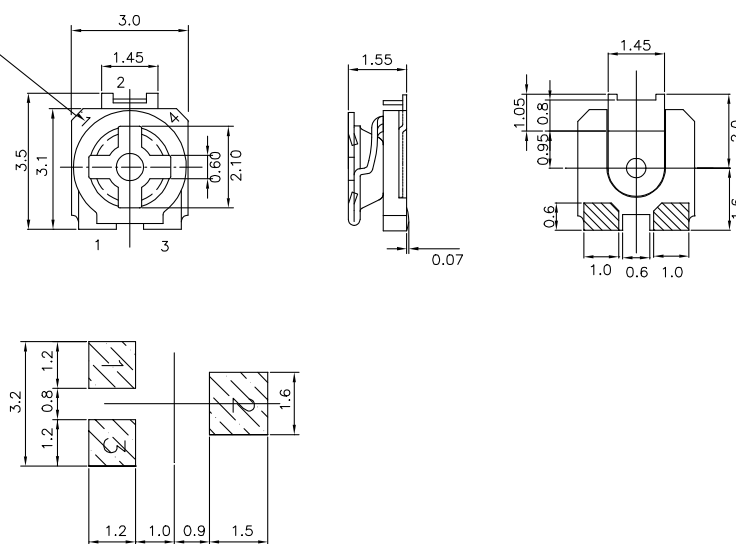
## STANDARD RESISTANCE VALUES AND MARKING

Resistance (ohms)	Part Marking
100	12
200	22
500	52
1K	13
2K	23
5K	53
10K	14
20K	24
50K	54
100K	15
200K	25
500K	55
1MEG	16

## OUTLINE DRAWING<sup>3</sup>

### Model 35W (Top Adjust)

Resistance marking



Recommended land pattern

<sup>3</sup> Dimensions are mm.