



EVERLIGHT ELECTRONICS CO.,LTD.

MODEL NO : 31-01SURC Device Number : DLE-301-010 REV: 1.3
 ECN : _____ Page: 1/4

Benefits :

- Fewer LEDs Required
- Lowers Lighting System Cost

Features :

- High Flux Output.
- Designed for High Current Operation.
- Low Thermal Resistance.
- Low Profile.
- Packaged in Tubes for Use with Automatic Insertion Equipment.



Applications :

- Automotive Exterior Lighting
- Electronic Signs and Signals

Description :

This revolutionary package design allows the lighting designer to reduce the number of LEDs required and provide a more uniform and unique illuminated appearance than with other LED solutions.

This is possible through the efficient optical package design and high-current capabilities.

The low profile package can be easily coupled with reflectors or lenses to efficiently distribute light and provide the desired lit appearance.

This product family employs the world's brightest red-orange and amber LED materials, which allow designers to match the color of popular lighting applications, such as automotive tail, stop, and turn signal lamps, and electronic signs.

| PART NO | CHIP | | Lens Color |
|-----------|----------|-----------------|-------------|
| | Material | Emitted Color | |
| 31-01SURC | AlGaInP | Super Hyper-Red | Water Clear |



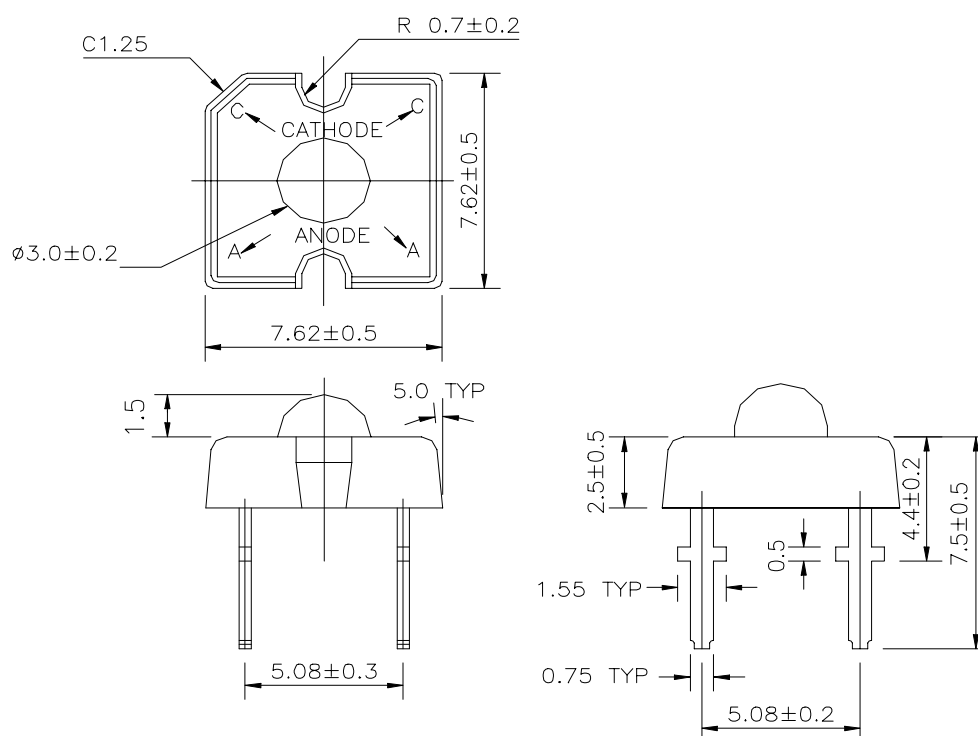
EVERLIGHT ELECTRONICS CO.,LTD.

Device Number : DLE-301-010 REV: 1.3
MODEL NO : 31-01SURC ECN : Page: 2/4

■ Absolute Maximum Ratings at $T_A = 25^\circ\text{C}$

| Parameter | Symbol | Rating | Unit |
|--|----------|-------------|------------------|
| Forward Current | If | 70 | mA |
| Operating Temperature | Topr | -40 to +85 | $^\circ\text{C}$ |
| Storage Temperature | Topr | -40 to +100 | $^\circ\text{C}$ |
| Soldering Temperature | Tsol | 260 ± 5 | $^\circ\text{C}$ |
| Power Dissipation | Pd | 120 | mW |
| Peak Forward Current(Duty 1/10 @ 1KHZ) | If(Peak) | 200 | mA |
| Reverse Voltage | Vr | 5 | V |

■ Package Dimension:



NOTES :

- 1.All dimensions are millimeter.(inch)
- 2.An epoxy meniscus may extend about 1.5mm(0.059") down the lead.



EVERLIGHT ELECTRONICS CO.,LTD.

Device Number : DLE-301-010 REV: 1.3
 MODEL NO : 31-01SURC ECN : _____ Page: 3/4

■ Electro-Optical Characteristics :

| Parameter | Symbol | MIN. | TYP. | MAX. | Condition | Unit |
|-------------------------------|-----------------|------|------|------|-----------|---------|
| Total Flux | Φ_v | 500 | 1310 | ---- | If=70mA | mlm |
| Viewing Angle | $2\theta_{1/2}$ | ---- | 50 | ---- | If=20mA | deg |
| Peak Wavelength | λ_p | ---- | 632 | ---- | If=20mA | nm |
| Dominant Wavelength | λ_d | ---- | 624 | ---- | If=20mA | nm |
| Spectrum Radiation Bandwidth | $\Delta\lambda$ | ---- | 20 | ---- | If=20mA | nm |
| Forward Voltage | Vf | 1.71 | 2.30 | 2.91 | If=70mA | V |
| Reverse Current | Ir | ---- | ---- | 10 | Vr=5V | μA |
| Recommended Operating Current | If (Rec) | 20 | ---- | 70 | | mA |
| DC Forward Current | If (mA) | ---- | ---- | 70 | | mA |

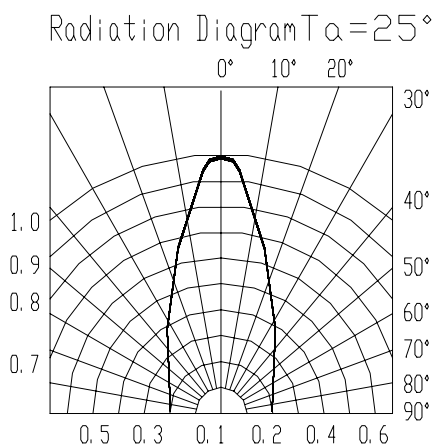
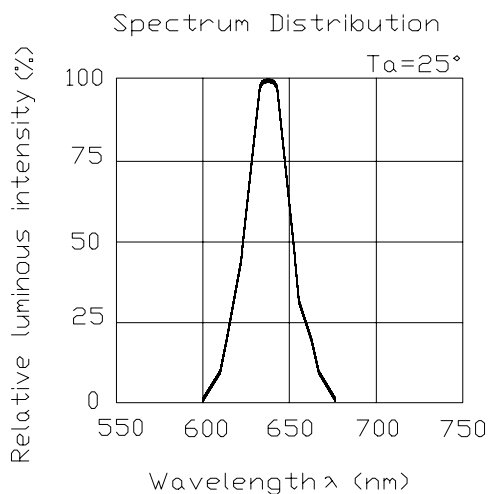
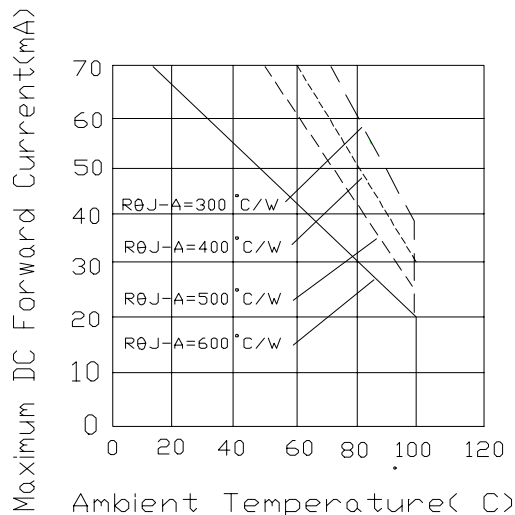
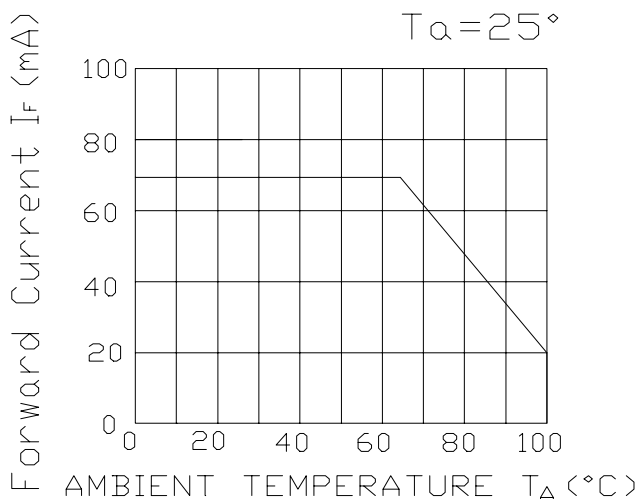
■ Reliability test item and condition

| NO | Item | Test Conditions | Test Hours/Cycle | Sample Size | Ac/Re |
|----|----------------------------------|---|------------------|-------------|-------|
| 1 | Soldering Heat | TEMP:260°C ± 5 °C | 10±1 SEC | 76 Pcs | 0/1 |
| 2 | Solderability | TEMP:230°C ± 5 °C | 5±1 SEC | 76 Pcs | 0/1 |
| 3 | Temperature Cycle | H : +85°C 30min ∩ 5 min L : -55°C 30min | 50 CYCLES | 76 Pcs | 0/1 |
| 4 | Thermal Shock | H : +100°C 5min ∩ 10 sec L : -10°C 5min | 50 CYCLES | 76 Pcs | 0/1 |
| 5 | High Temperature Storage | TEMP : 100°C | 1000 HRS | 76 Pcs | 0/1 |
| 6 | Low Temperature Storage | TEMP : -55°C | 1000 HRS | 76 Pcs | 0/1 |
| 7 | DC Operating Life | If(max) mA | 1000 HRS | 76 Pcs | 0/1 |
| 8 | High Temperature / High Humidity | 85°C/85% RH | 1000 HRS | 76 Pcs | 0/1 |



Device Number : DLE-301-010 REV: 1.3
 MODEL NO : 31-01SURC ECN : _____ Page: 4/4

Typical Electro-Optical Characteristic Curves



Specifications for Bin Grading

31-01SURC - ① ② ③

| ① Vf(v) | | | ② λd (nm) | | | ③ Φv (mlm) | | |
|---------|------|------|--------------------|-----|-----|------------------|------|------|
| Bin | Min | Max | Bin | Min | Max | Bin | Min | Max |
| 1 | 1.71 | 1.95 | L | 618 | 630 | U | 500 | 830 |
| 2 | 1.83 | 2.07 | | | | V | 680 | 1310 |
| 3 | 1.95 | 2.19 | | | | W | 990 | 1760 |
| 4 | 2.07 | 2.31 | | | | X | 1440 | 2750 |
| 5 | 2.19 | 2.43 | | | | Y | 2250 | 4100 |
| 6 | 2.31 | 2.55 | | | | | | |
| 7 | 2.43 | 2.67 | | | | | | |
| 8 | 2.55 | 2.79 | | | | | | |
| 9 | 2.67 | 2.91 | | | | | | |