

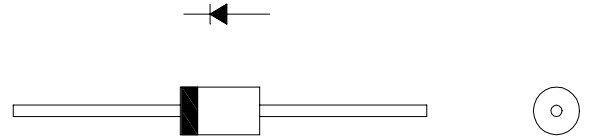
DIODE Type : 30PDA10

3A 100V Tj =150 °C

OUTLINE DRAWING

FEATURES

- * Low Forward Voltage drop
- * Low Reverse Leakage Current
- * High Surge Capability



Maximum Ratings

Approx Net Weight:1.24g

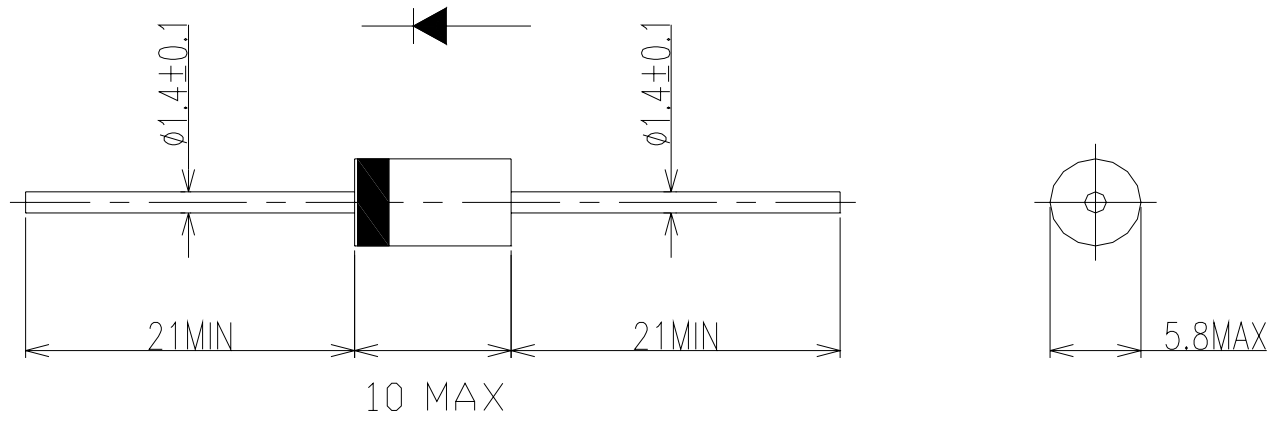
| Rating | Symbol | 30PDA10 | | Unit | |
|-------------------------------------|--------------|---|------------------------------------|------|----|
| Repetitive Peak Reverse Voltage | V_{RRM} | 100 | | V | |
| Average Rectified Output Current | I_O | 50Hz Half Sine Wave Resistive Load | Ta=31°C *1 | 1.6 | A |
| | | | Tl=124°C (Tl: Lead Temperature) | 3.0 | |
| RMS Forward Current | $I_{F(RMS)}$ | | | 4.71 | A |
| Surge Forward Current | I_{FSM} | 50Hz Half Sine Wave,1cycle, Non-repetitive | | 100 | A |
| Operating JunctionTemperature Range | T_{jw} | - 40 to + 150 | | | °C |
| Storage Temperature Range | T_{stg} | - 40 to + 150 | | | °C |

Electrical • Thermal Characteristics

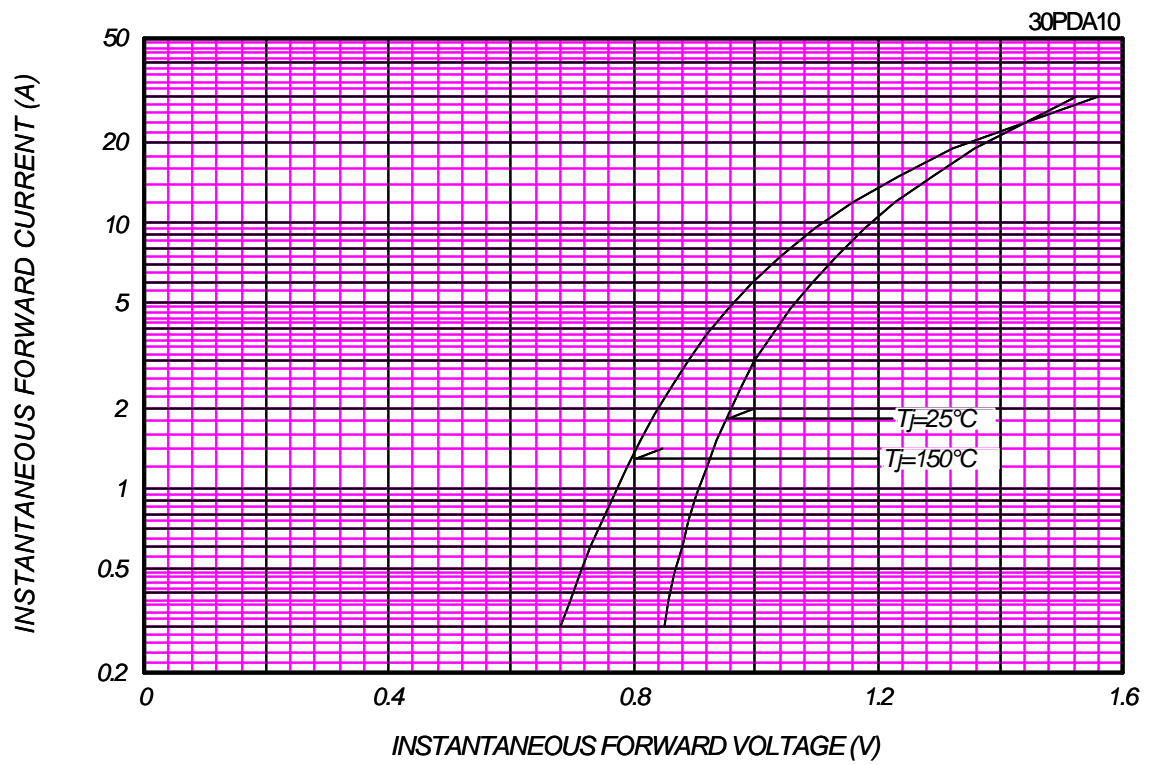
| Characteristics | Symbol | Conditions | Min. | Typ. | Max. | Unit |
|----------------------|----------|-----------------------------|------|------|------|------|
| Peak Reverse Current | I_{RM} | Tj= 25°C, $V_{RM}= V_{RRM}$ | - | - | 10 | μA |
| Peak Forward Voltage | V_{FM} | Tj= 25°C, $I_{FM}= 3.0A$ | - | - | 1.0 | V |
| Thermal Resistance | Rth(j-a) | Junction to Ambient *1 | - | - | 80 | °C/W |
| | Rth(j-l) | Junction to Lead | - | - | 8 | |

*1: Without Fin or P.C. Board mounted

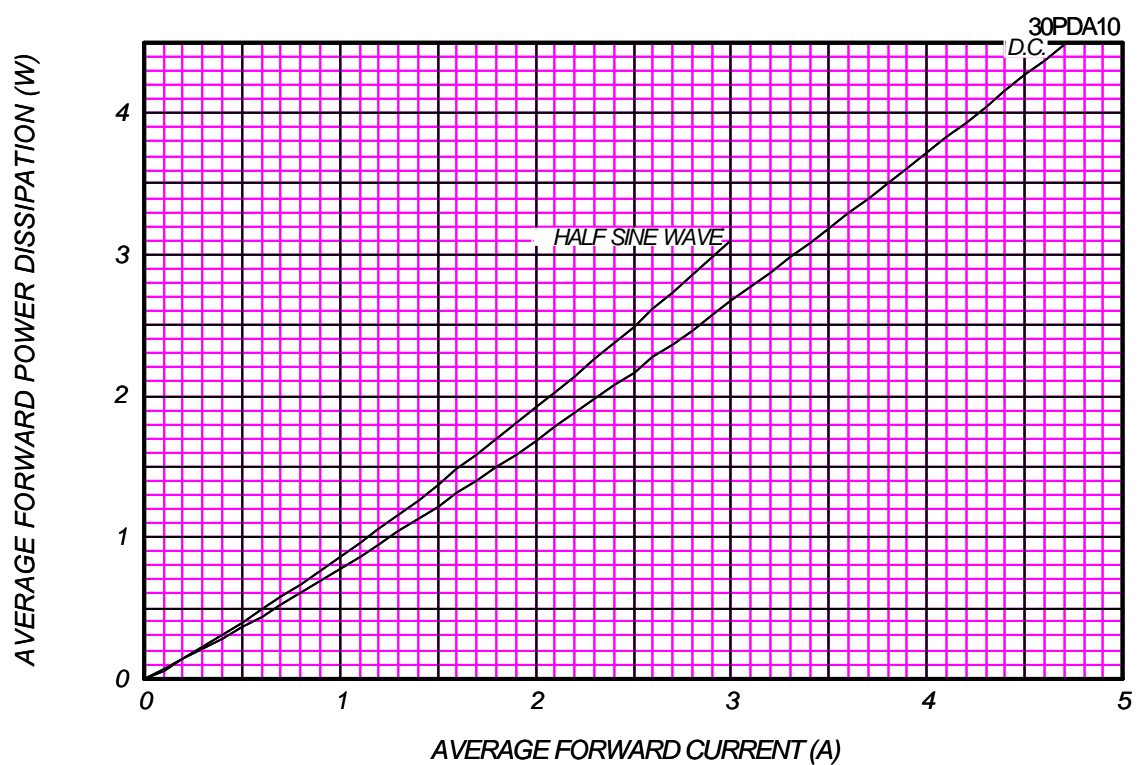
30PDA OUTLINE DRAWING (Dimensions in mm)



FORWARD CURRENT VS. VOLTAGE



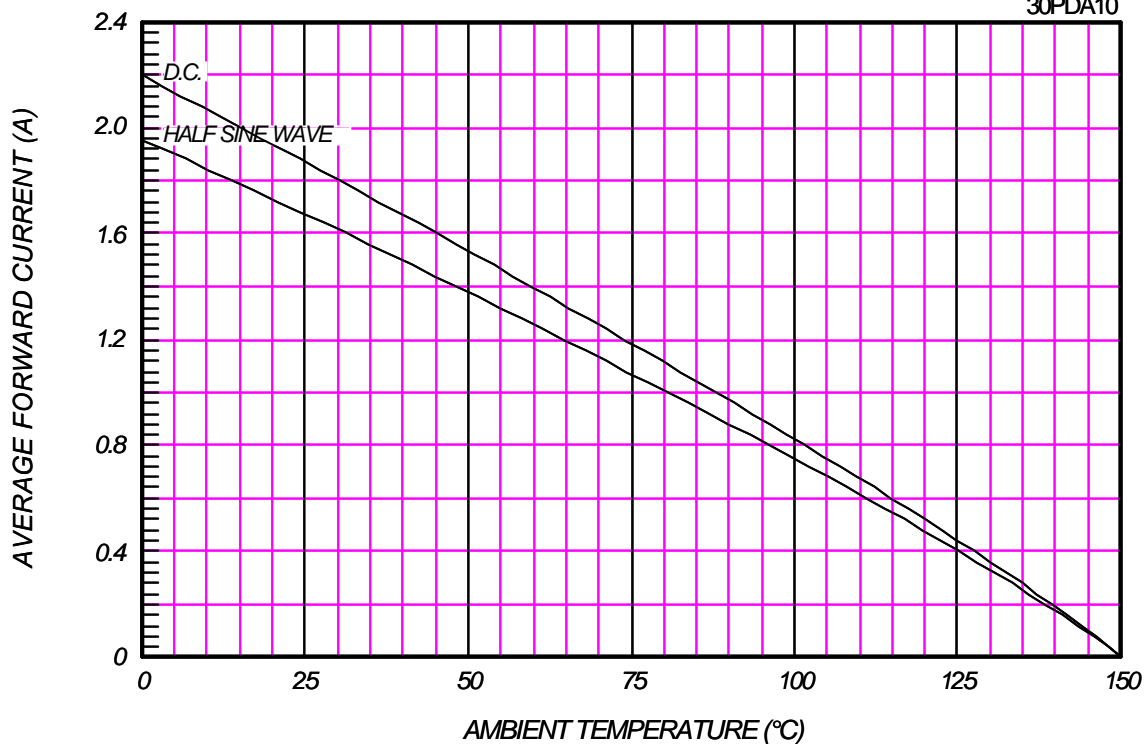
AVERAGE FORWARD POWER DISSIPATION



AVERAGE FORWARD CURRENT VS. AMBIENT TEMPERATURE

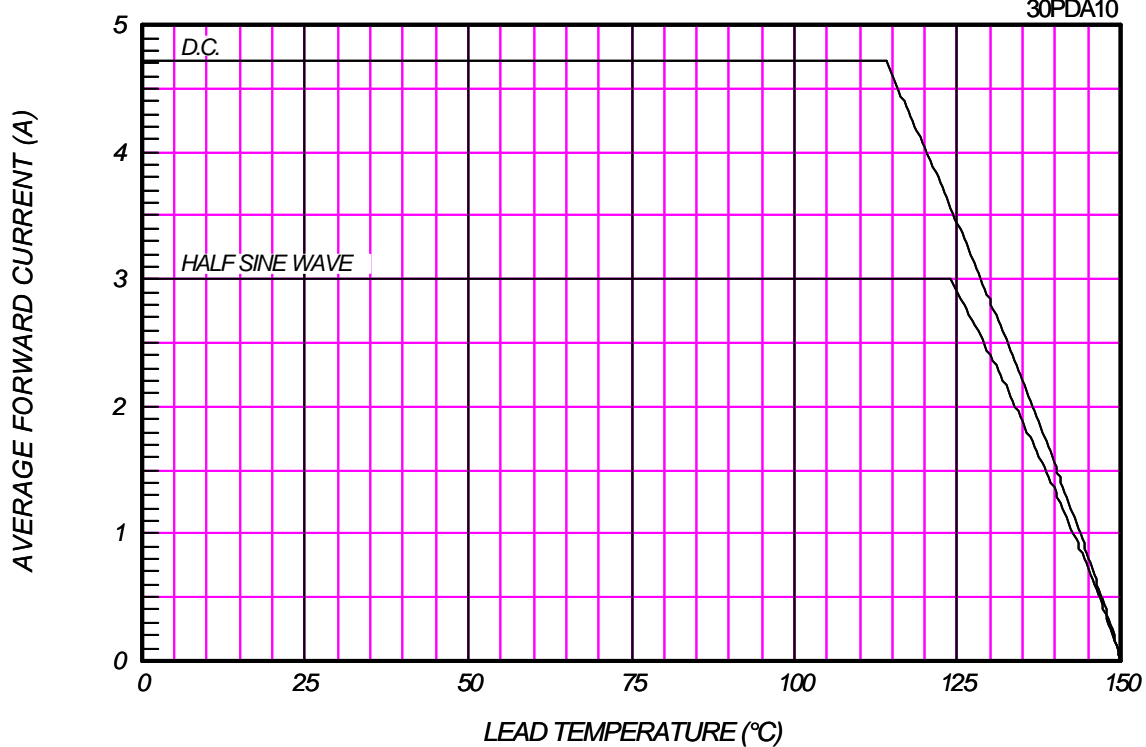
Without Fin or P.C. Board

30PDA10



AVERAGE FORWARD CURRENT VS. LEAD TEMPERATURE

30PDA10



SURGE CURRENT RATINGS

f=50Hz, Half Sine Wave, Non-Repetitive, No Load

30PDA10

