

# HIGH FREQUENCY MAGNETICS

## Specialty Surface Mount Shielded Transformer

TM00108

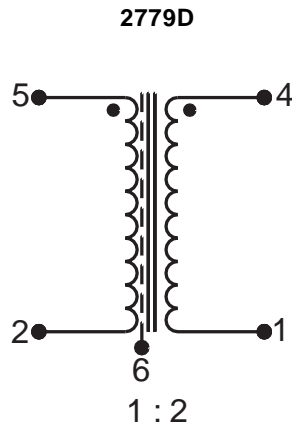
- Operates as high frequency pulse transformer in telecom switching systems at various signaling rates
- Interwinding Electrostatic Shield provides low capacitance and high EMI suppression
- Electrical equivalents: 2664A, 2741L2, 2779D
- Operating temperature range: -40° C to +85° C
- Meets IEC 695, 2-2 flammability requirements
- PWB Process Capability: standard printed wiring board assembly techniques, total-immersion cleaning
- Reliability testing: Shock, vibration, temperature cycling, temperature - humidity - bias

### ELECTRICAL SPECIFICATIONS AT 25° C

Part Number	Nominal Turns Ratio ±2%	Secondary Inductance <sup>1</sup> mH min	DCR Ω max		Secondary Leakage Inductance <sup>2</sup> μH		Interwinding & Winding to Shield Capacitance <sup>3</sup> pF max		Minimum Interwinding Breakdown Voltage Vrms
	Pri : Sec (5-2) : (4-1)	(4-1)	(4-1)	(5-2)	(4-1)	(4-1) : 6 <sup>4</sup>	(4-1) : (5-2) <sup>5</sup>		
2779D	1 : 2	1.58	3.3	2.05	8.5 max	6.5 min	12	3	1500

- measured at 100 kHz, 0.05 Vac
- measured at 1 MHz, 0.05 Vac
- measured at 1 kHz, 1 Vac
- with (5-2) grounded
- with 6 grounded

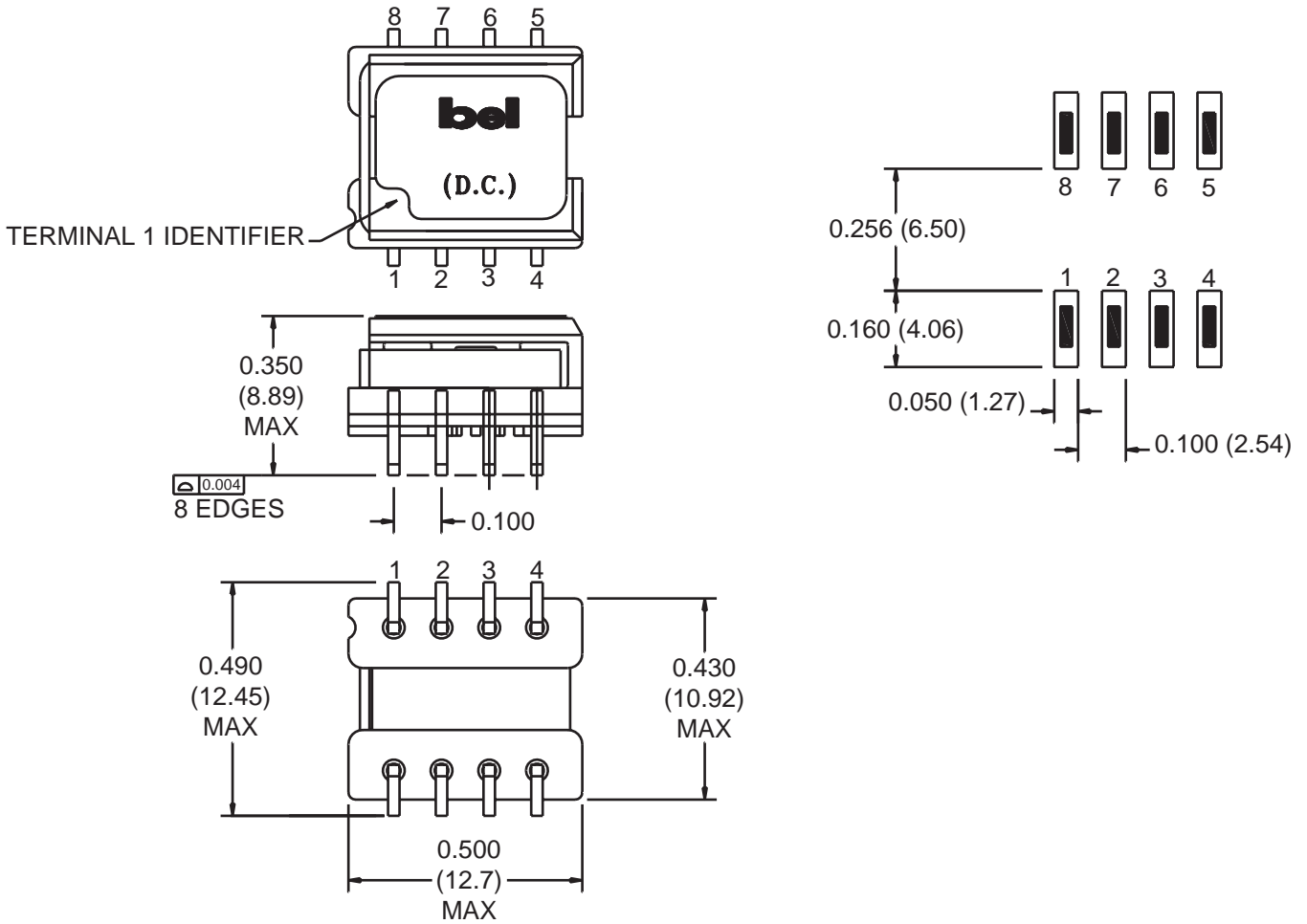
### SCHEMATIC



## HIGH FREQUENCY MAGNETICS Specialty Surface Mount Shielded Transformer

### MECHANICAL

2779D



Unless otherwise specified, dimensions are nominal and in inches (millimeters).

#### CORPORATE

**Bel Fuse Inc.**  
198 Van Vorst Street  
Jersey City, NJ 07302  
Tel 201-432-0463  
Fax 201-432-9542  
www.belfuse.com

#### FAR EAST

**Bel Fuse Ltd.**  
8F / 8 Luk Hop Street  
San Po Kong  
Kowloon, Hong Kong  
Tel 852-2328-5515  
Fax 852-2352-3706  
www.belfuse.com

#### EUROPE

**Bel Fuse Europe Ltd.**  
Preston Technology Management Centre  
Marsh Lane, Suite G7, Preston  
Lancashire, PR1 8UD, U.K.  
Tel 44-1772-556601  
Fax 44-1772-888366  
www.belfuse.com