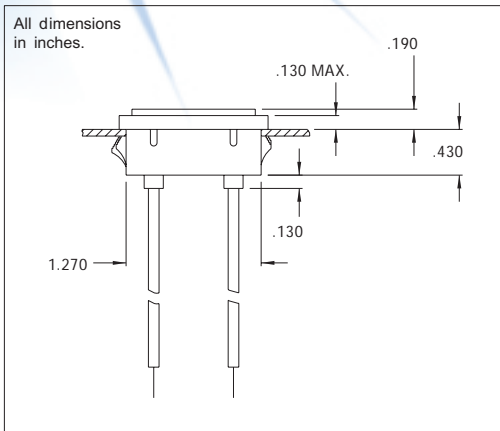


2330D and 2332D Series Non-Relampable Neon Indicator Light

DESCRIPTION AND FEATURES



Mounting: Will snap-fit into .032/.100 thick panels. Use speednut for other panel thicknesses. Available with speednut SN1963. Mounting hole pattern on page SP3.

Wire Leads: No.22 AWG (105°C), 4.40/4.80 long, stripped .430/.570

Lens: Polycarbonate

Anode(+): Red lead

Bezel: Polished stainless steel. For black finish add "X" after the series letter(s).

Lens Color	Neon
	Model No. (105-125VAC)
Red	2330D1
Amber	2330D3
White	2330D4
Green	2332D5*
Lamp used	C2A+Resistor

*Incorporates G2B lamp and resistor
 Underwriters Laboratories (UL) File No. E20325
 Canadian Standards Association (CSA) File No. LR13346