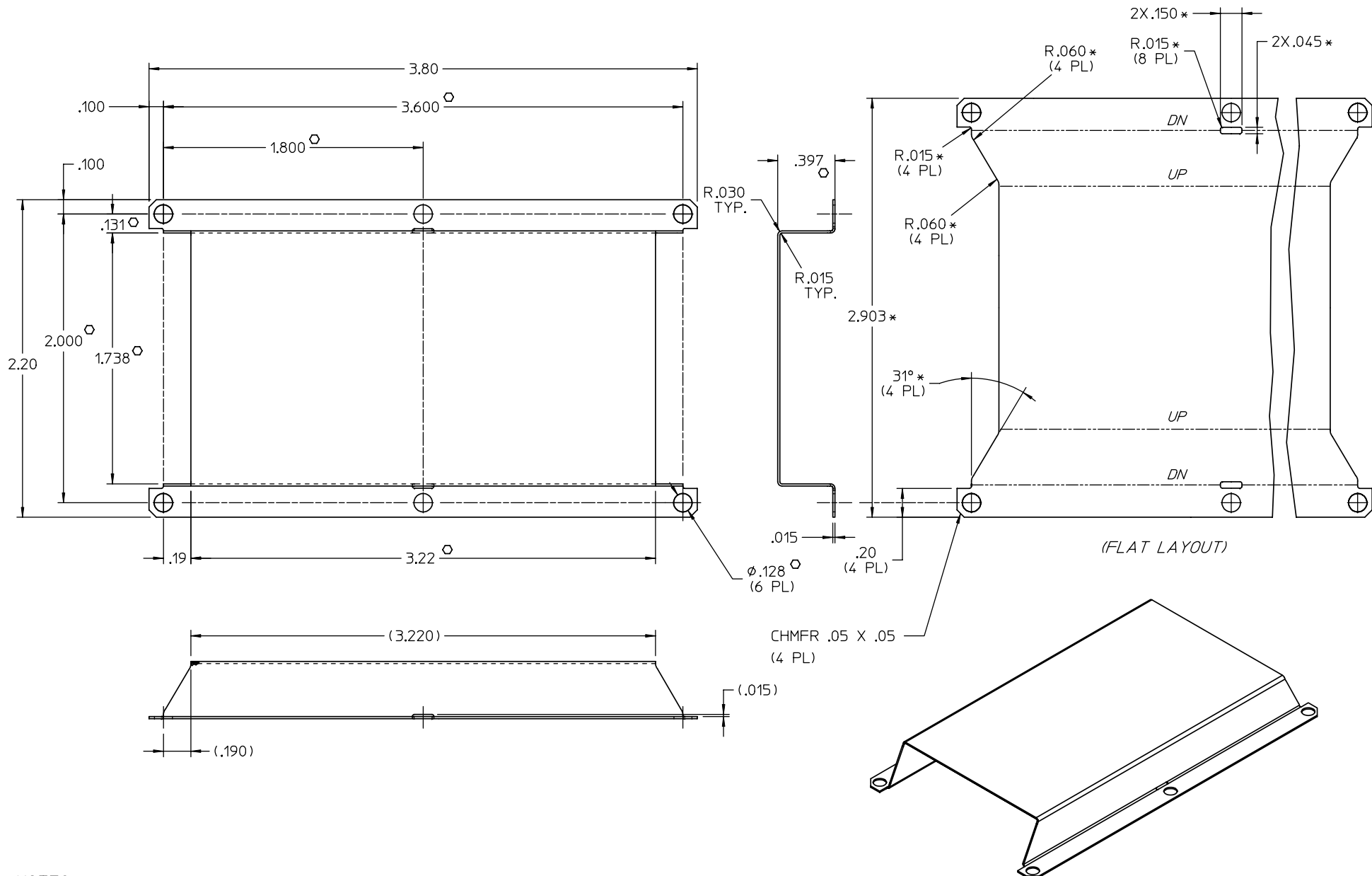


THIS DOCUMENT AND THE DATA DISCLOSED
HEREIN OR HEREWITH IS NOT TO BE REPRODUCED,
USED, OR DISCLOSED IN WHOLE OR IN PART
TO ANYONE WITHOUT PERMISSION OF VICOR CORP.

REV.	DESCRIPTION	DATE	APPROVED
#1	DRAWN FOR DEVELOPMENT	AK 5/03/01	GCK
#2	REVISED PER MARK-UP	PEI 9/13/01	GCK



NOTES:

1. MATERIAL: ALUMINUM- (.015) THK, 5052
2. REMOVE BURRS & SHARP EDGES
3. "*" DIMENSIONS ARE NOT FOR VICOR INSPECTION.
4. "O" DENOTES CRITICAL CHARACTERISTICS FOR LOT INSPECTION.
5. FINISH: CLEAR CHROMATE

DRAWN BY A. KUMAR	DATE 5/03/01			
<small>UNLESS OTHERWISE SPECIFIED DIMENSIONS ARE IN INCHES- FRACTIONS DECIMALS ANGLES *1/64 .XXX+.01 +1° XXX+.005</small>				
THIRD ANGLE PROJECTION 	SIZE C	FSCM NO. 67131	DWG NO. 21242	REV #2
DO NOT SCALE DRAWING	SCALE 2X	SHEET 1 OF 1		