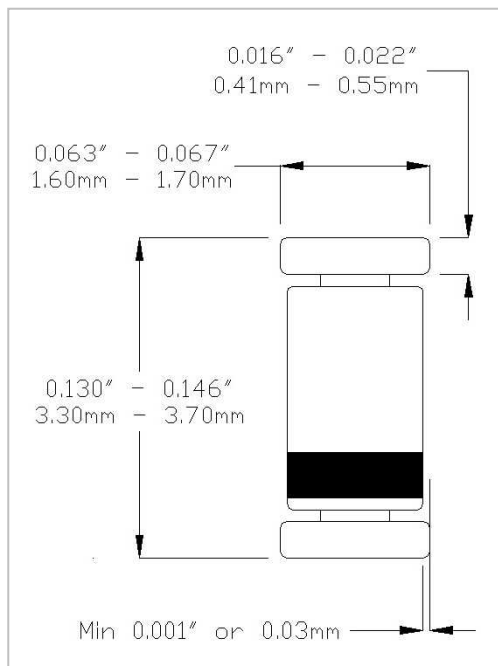


1N4148UR-1

FEATURES

- 1N4148UR-1 AVAILABLE IN JAN, JANTX, AND JANTXV PER MIL-PRF-19500/116
- SWITCHING DIODE
- METALLURGICALLY BONDED
- HERMETICALLY SEALED
- DOUBLE PLUG CONSTRUCTION
- ALSO AVAILABLE AS LL4148, CDLL4148, & MLL4148



MAXIMUM RATINGS AT 25 °C

Operating Temperature:	-65°C to +200°C
Storage Temperature:	-65°C to +200°C
Surge Current A, sine 8.3mS:	2.0A
Surge Current B, square 8.3mS:	1.41A
Total Power Dissipation:	500mW
Operating Current:	200mA, T _A = +25°C
Derating Factor:	1.14mA/°C above T _A = +25°C
D.C. Reverse Voltage (VRWM):	75V

DC ELECTRICAL CHARACTERISTICS

V _F				I _R				V _{BR}			
Ambient (°C)	I _F mA	Min V	Max V	Ambient (°C)	V (dc)	Min μA	Max μA	Ambient (°C)	I _R μA	Min V	Max V
25	10	-	0.8	25	20	-	0.025	25	100	100	-
25	100	-	1.2	25	75	-	0.500				
150	10	-	0.8	150	20	-	35.0				
-55	100	-	1.3	150	75	-	75.0				

DESIGN DATA

Case: Hermetically sealed glass package per MIL-PRF-19500/116 DO-213AA outline

Lead Material: Copper clad steel

Lead Finish: Tin/Lead

Thermal Resistance (R_{θJEC}): 100°C/W maximum

Thermal Impedance (Z_{θJX}): 70°C/W maximum

Polarity: Cathode end is banded.

AC ELECTRICAL CHARACTERISTICS AT 25°C

	Symbol	Min	Max
Capacitance @ 0V	pF	-	4
Capacitance @ 1.5V	pF	-	2.8
T _{RR} @ I _F =I _R =10mA, I _{Rec} = 1mA.	nsec	-	5
T _{FR} @ I _F = 50mA	nsec	-	20
V _{FR} @ I _F = 50mA	V(pk)	-	5



WWW.MICROSEMI.COM

IRELAND - GORT ROAD, ENNIS, CO. CLARE

PHONE: +353 65 6840044
TOLL FREE: +186 62 702434
FAX: +353 65 6822298

U.S.A. DOMESTIC SALES CONTACT

PHONE: (617) 926 0404
TOLL FREE: 1 800 666 2999