

# 14FF- 2Z- C4-1/2/3

# RELAY SOCKET



## CHARACTERISTICS

|                              |                               |
|------------------------------|-------------------------------|
| Ambient temperature :        | -40 °C to 70°C                |
| Rated voltage:               | 250VAC                        |
| Rated current :              | 10A (per pole)                |
| Insulation voltage (Min.) :  | 5000VAC                       |
| Protection degree DIN40050 : | IP20                          |
| Socket material :            | PA66+GF V0 (UL)               |
| Contacts spring material :   | QSn6.5-0.1                    |
| Plastic retainer :           | available                     |
| White plastic tag :          | available                     |
| Modules (on request) :       | HFAA to HFHU module available |
| Terminal torque :            | 0.6Nm                         |
| Wire strip length :          | 7mm                           |

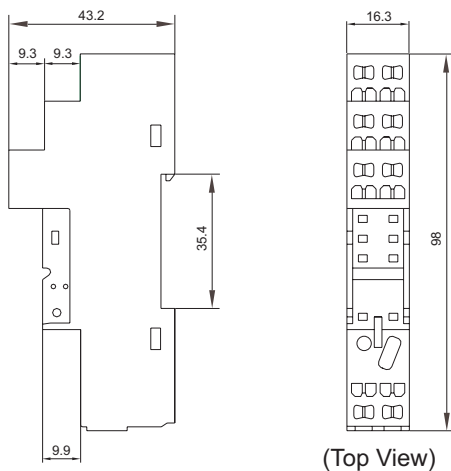
### Applicable relay type:

- 1: suit for HF115F(JQX-115F) series (Relay height 15.7mm).
- 2: suit for HF141FH (Relay height 20.6mm).
- 3: suit for 14FW(JQX-14FW)/140FF(JZX-140FF) (Relay height 26.3mm, 25.5mm).

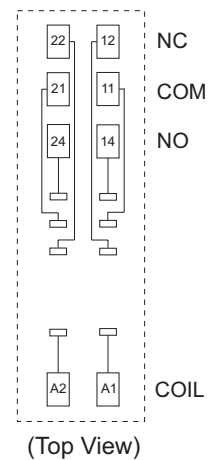
## DIMENSIONS, PC BOARD LAYOUT AND WIRING DIAGRAM

Unit: mm

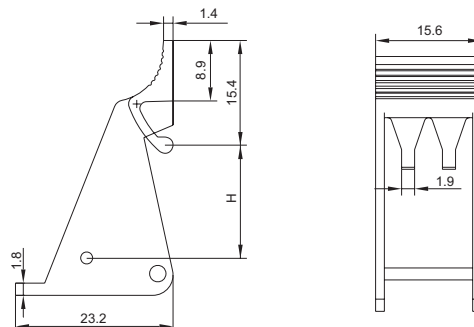
### Outline Dimensions



### Wiring Diagram



### Retainer Dimensions



### Three types of H:

H1=16mm (for -1 type)

H2=21mm (for -2 type)

H3=26mm (for -3 type)

You can choose the type you need.



HONGFA RELAY

ISO9001、ISO/TS16949、ISO14001、OHSAS18001 CERTIFIED

2007 Rev. 1.00