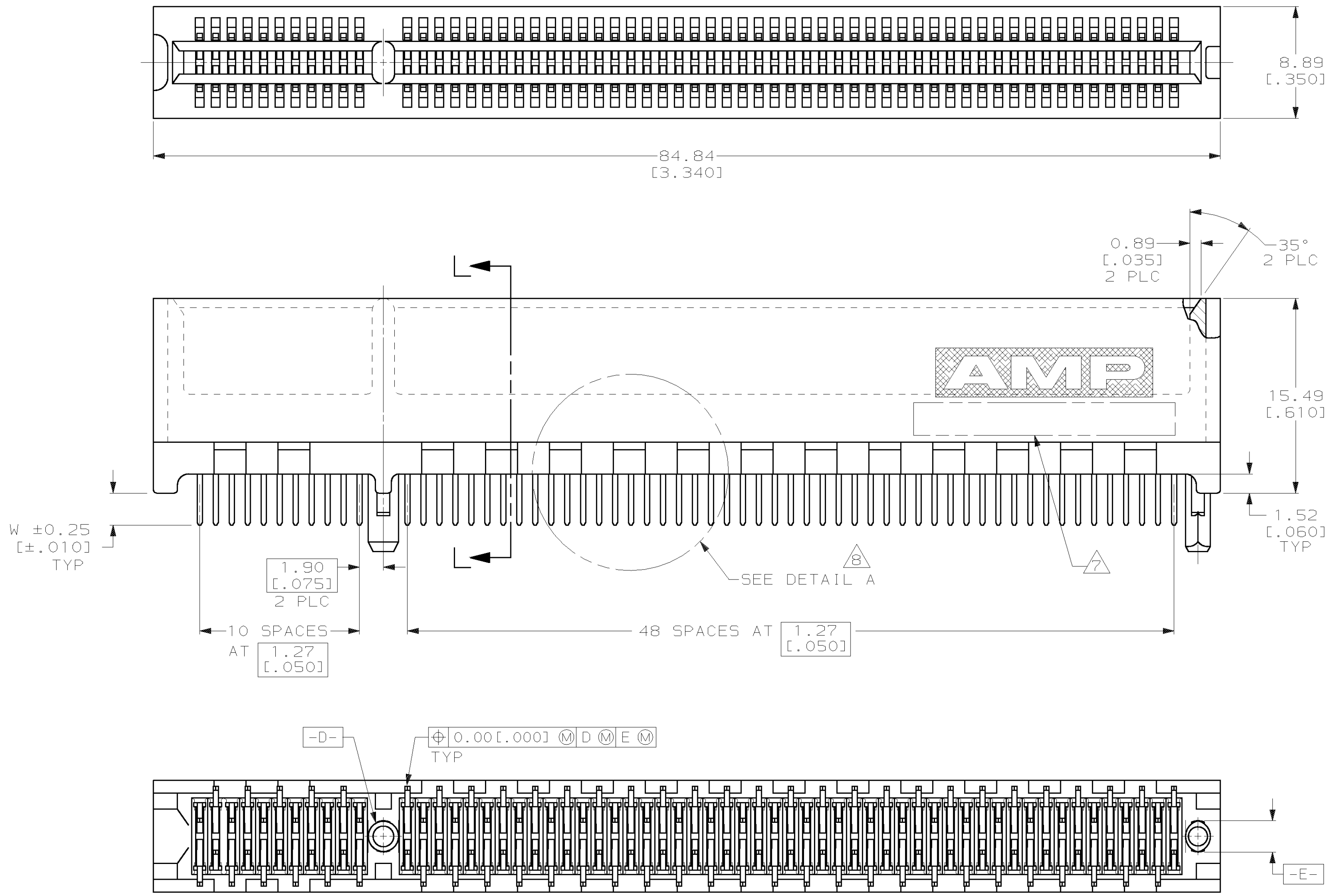
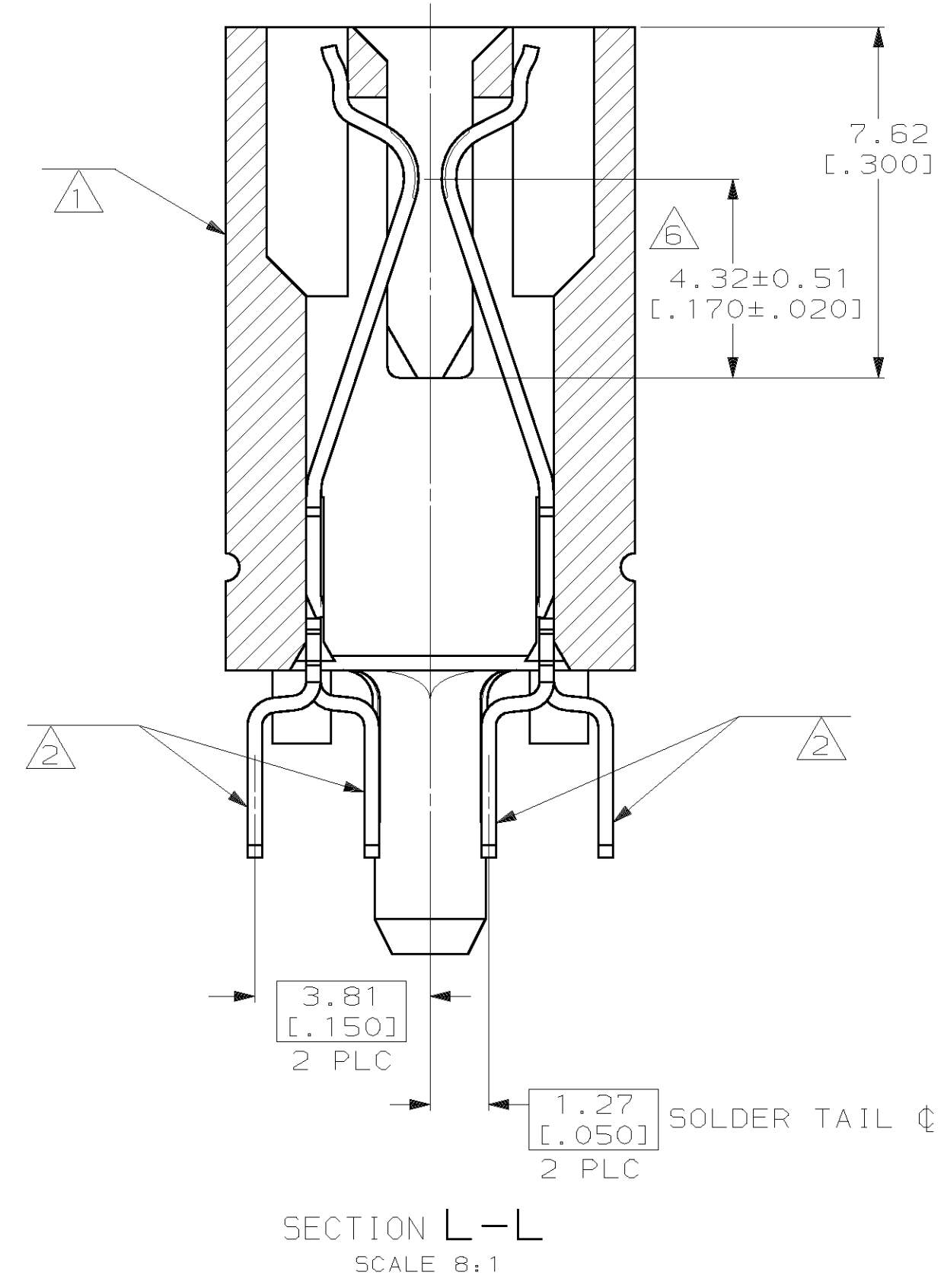
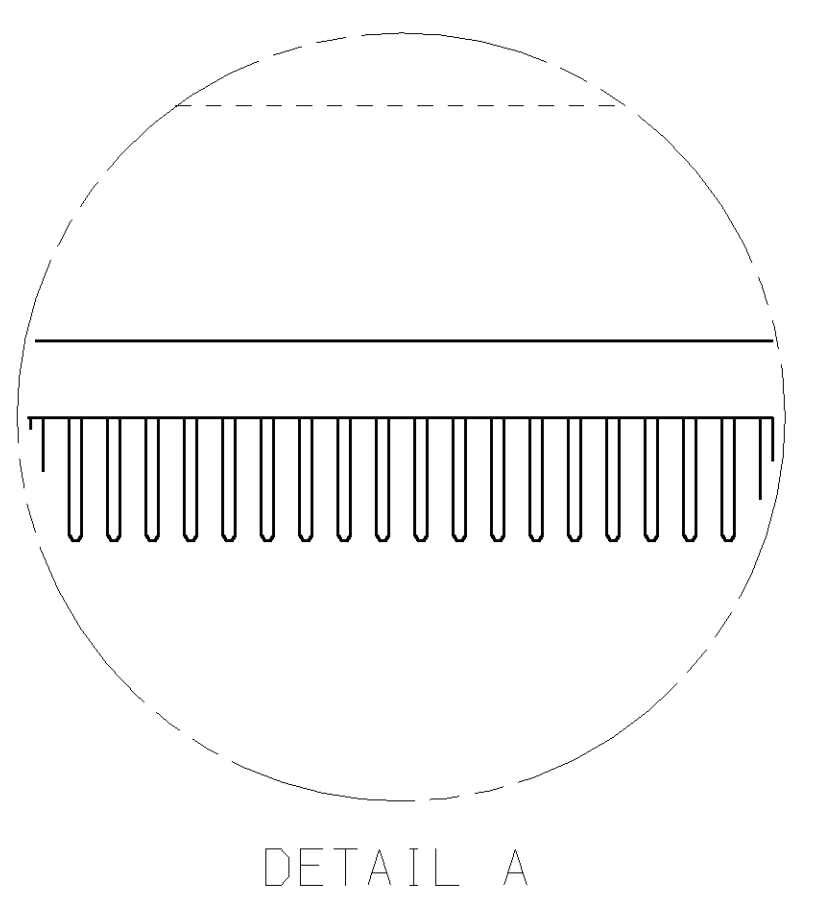


LOC		DIST		P		F		ZONE		LTR		REVISIONS	
DESCRIPTION	DATE	APPD											
E	REVISED PER EC 051B-0278-00	04SEP01	DD	PD									



- ① HOUSING: HIGH TEMPERATURE THERMOPLASTIC. COLOR - NATURAL
- ② CONTACT: PHOSPHOR BRONZE.
- ③ CONTACT FINISH: .001269[.000050] MIN NICKEL ALL OVER. GOLD FLASH OVER NICKEL IN CONTACT AREA. .002537[.000100] MIN TIN-LEAD OVER NICKEL ON SOLDER TAILS.
- ④ CONTACT FINISH: .001269[.000050] MIN NICKEL ALL OVER. .000375[.000015] MIN GOLD OVER NICKEL IN CONTACT AREA. .002537[.000100] MIN TIN-LEAD OVER NICKEL ON SOLDER TAILS.
- ⑤ CONTACT FINISH: .001269[.000050] MIN NICKEL ALL OVER. .000757[.000030] MIN GOLD OVER NICKEL IN CONTACT AREA. .002537[.000100] MIN TIN-LEAD OVER NICKEL ON SOLDER TAILS.
- ⑥ DISTANCE FROM CONTACT POINT TO BOTTOM OF CARD SLOT.
- ⑦ AMP PART NUMBER, DATE CODE AND CSA LOGO MARKED IN APPROXIMATE LOCATION SHOWN.
- ⑧ CORED OR SOLID SIDE WALLS ARE AT DISCRETION OF AMP INCORPORATED.

SEE SHEET 2 FOR HOLE PATTERN

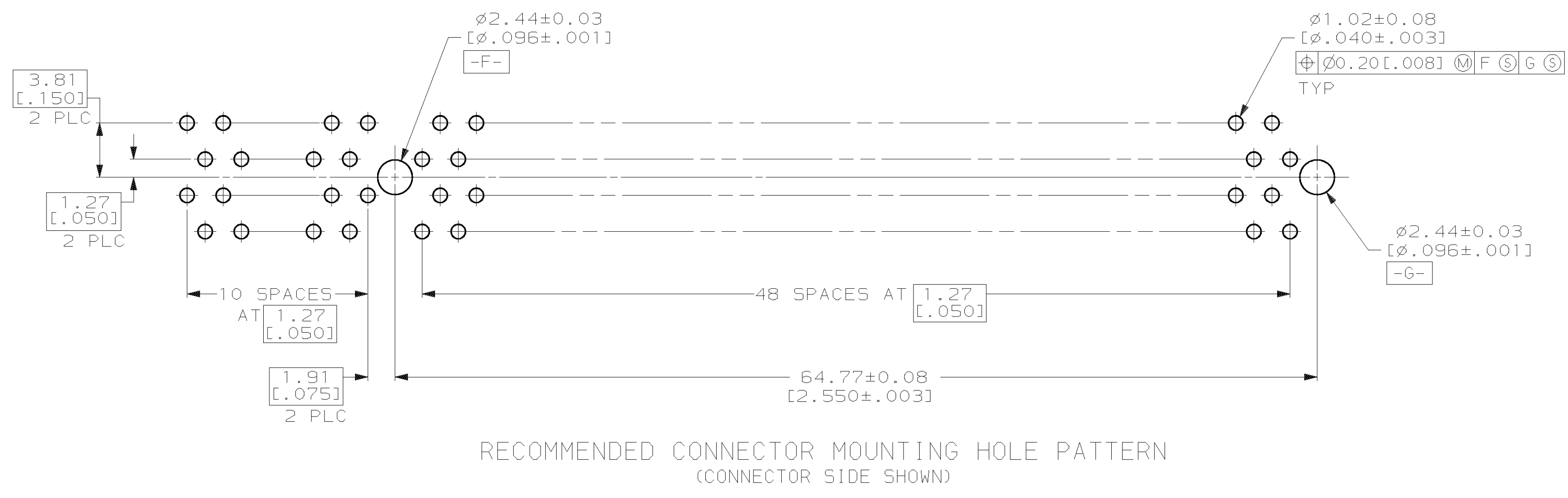
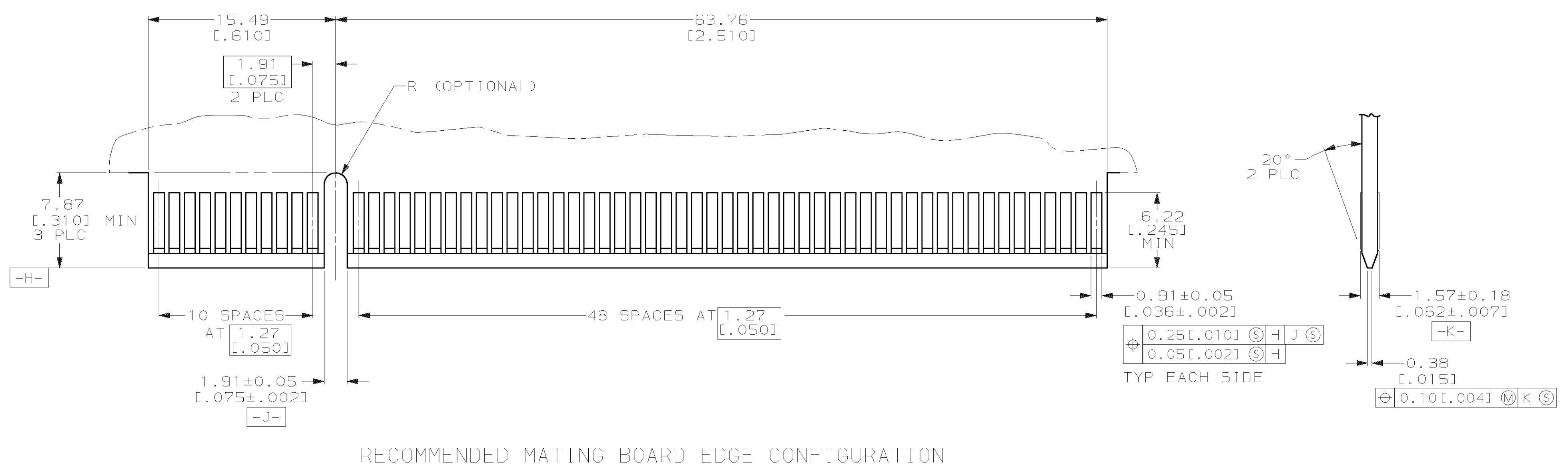


3.56 [0.140]	⑤	1-145154-2
3.18 [0.125]	⑤	145154-8
2.54 [0.100]	⑤	145154-4
2.54 [0.100]	⑤	145154-3
2.54 [0.100]	④	145154-2
2.54 [0.100]	③	145154-1
W	FINISH	PART NUMBER

SUPERSEDED BY 145154-4

DO NOT SCALE PRINT. UNLESS SPECIFIED DIMENSIONS IN mm [INCHES]		DR 6/9/95 R BROWN		AMP AMP Incorporated Harrisburg, PA 17105-3608	
TOLERANCES ON:		CHK 6/9/95 M BOWERS			
2 PLC DEC ± 0.25 [0.01]		APPD 6/9/95 M BOWERS		NAME CONNECTOR ASSEMBLY, 60 DUAL POSITION, 1.27 [0.050] SERIES, STANDARD EDGE	
3 PLC DEC ± 0.127 [0.005]		APPD 6/9/95 D SARVER			
ANGLES ± 2°		PRODUCT SPEC 108-14034		SIZE CAGE CODE DRAWING NO D 00779 145154	
MATERIAL		APPLICATION SPEC 114-26012			
FINISH		WEIGHT		SCALE 4:1 SHEET 1 OF 2	
③ ④ ⑤					

LOC		DIST		P		F		ZONE		LTR		REVISIONS	
DESCRIPTION	DATE	APPD											
E	SEE SHEET 1	-											



DO NOT SCALE PRINT. UNLESS SPECIFIED DIMENSIONS IN mm [INCHES]		DR 6/9/95 R BROWN		AMP Incorporated Harrisburg, PA 17105-3608	
TOLERANCES ON:		CHK 6/9/95 M BOWERS			
2 PLC DEC ±0.25 [0.01]		APPD 6/9/95 M BOWERS		NAME	
3 PLC DEC ±0.127 [0.005]		APPD 6/9/95 D SARVER		CONNECTOR ASSEMBLY, 60 DUAL POSITION, 1.27 [0.050] SERIES, STANDARD EDGE	
ANGLES ± 2°		PRODUCT SPEC 108-14034		SIZE	
MATERIAL		APPLICATION SPEC 114-26012		CAGE CODE 00779	
SEE SHEET 1		FINISH		DRAWING NO 145154	
SEE SHEET 1		WEIGHT		SCALE 4:1	
				SHEET 2 OF 2	