

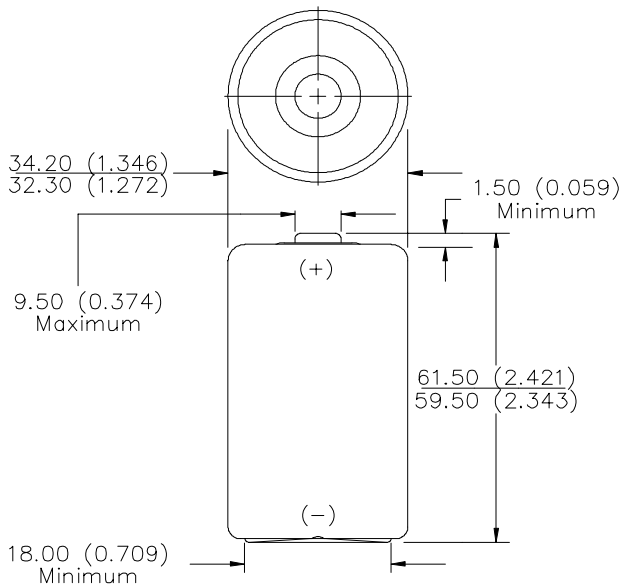
ENERGIZER NO. 1250



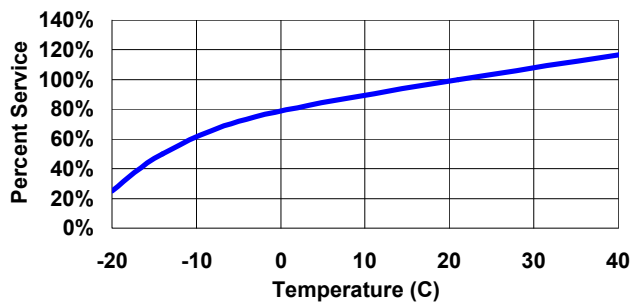
SUPER HEAVY DUTY

Chemical System: Zinc-Manganese Dioxide (Zn/MnO₂)
 (No Added Mercury or Cadmium)

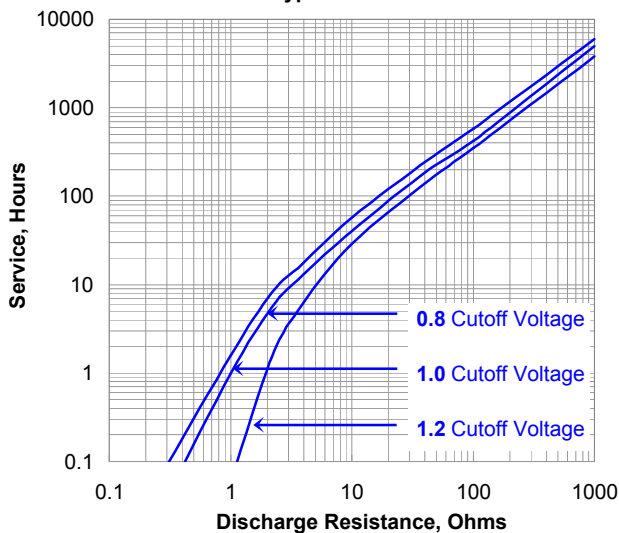
Designation: ANSI-13D, IEC-R20
Battery Voltage: 1.5 Volts
Operating Temp: -18°C to 55°C (0°F to 130°F)
Average Weight: 89.0 grams (3.1 oz.)
Volume: 53 cubic centimeters (3.2 cubic inch)
Average Capacity: 8,000 mAh to 0.8 volts
 (Rated at 25 mA continuous at 21°C)
Cell: One No. 50 (size "D")
Jacket: Metal



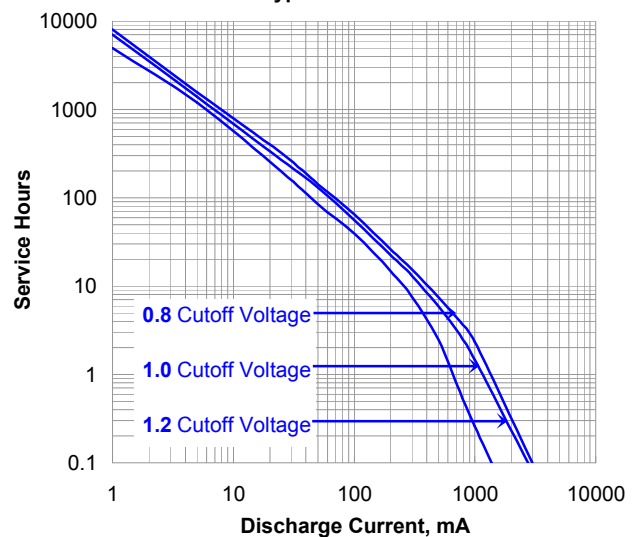
TYPICAL PERCENT SERVICE
 3.9 ohm - 4 hours/day to 0.75 volts



CONSTANT RESISTANCE PERFORMANCE
 Typical Service



CONSTANT CURRENT DISCHARGE
 Typical Service



ENERGIZER NO. 1250

ANSI Industry Standard Tests @ 20° C

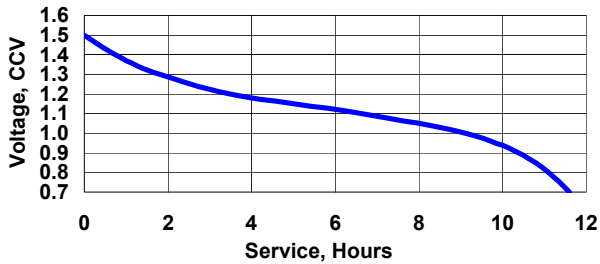
RADIO
10 ohm - 4 hours/day



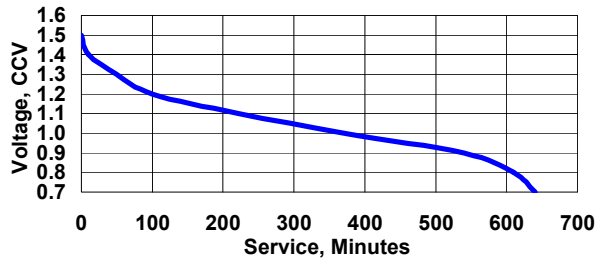
PORTABLE STEREO
3.9 ohm - 1 hr/day



TOY
2.2 ohm - 1 hr/day



PORTABLE LIGHT
2.2 ohms - 4 min/hour 8 hours/day



Important Notice

This data sheet contains information specific to batteries manufactured at the time of its publication.

Contents herein do not constitute a warranty.

Copyright © Eveready Battery Co. - All rights reserved