

MICRO

ELECTRONIC

11GNWB-2L

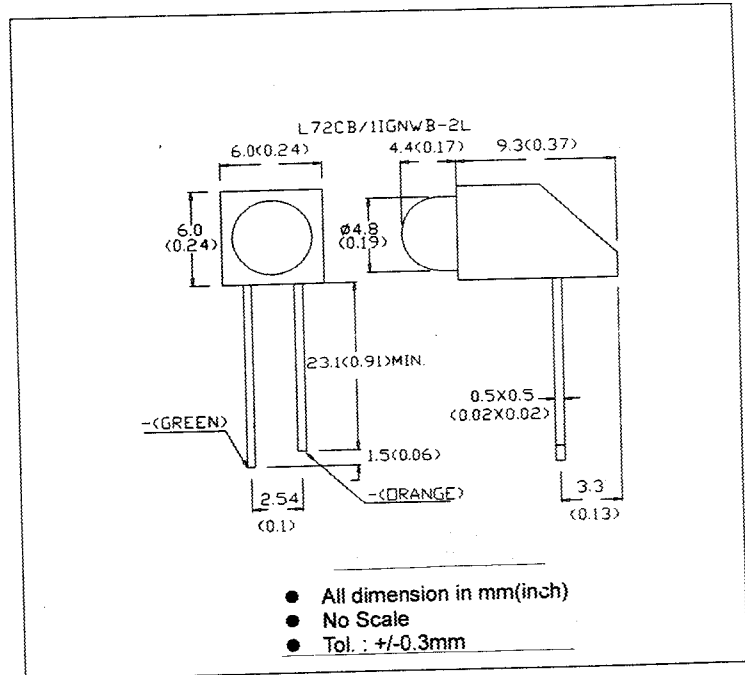
RIGHT ANGLE
ORANGE/GREEN
DUAL COLOR LED LAMPS

FEATURES

Ideal for card edge status indication
Option for different color LED
Package allows flush seating on a PCB boards

DESCRIPTION

L72CB/11GNWB-2L is a right angle LED unit that incorporated a dual color - orange/green, tinted $\varnothing 4.8\text{mm}$ LED lamp in a black plastic



ABSOLUTE MAXIMUM RATINGS

Power Dissipation @ $T_a=25^\circ\text{C}$
Forward Current, DC (I_F)
Reverse Voltage
Operating & Storage Temperature Range
Lead Soldering Temperature (1/16" from body)

| | Orange | Green |
|--|------------------|-------|
| Power Dissipation | 100mW | 100mW |
| Forward Current, DC (I_F) | 30mA | 30mA |
| Reverse Voltage | 5V | 5V |
| Operating & Storage Temperature Range | -55 to +100°C | |
| Lead Soldering Temperature (1/16" from body) | 260°C for 5 sec. | |

ELECTRO-OPTICAL CHARACTERISTICS (Ta=25°C)

| PARAMETER | SYMBOL | MIN | TYP | MAX | UNIT | CONDITIONS |
|---------------------------|-----------------|-----|-----|-----|------|----------------------|
| Forward Voltage | V_F | | | 3 | V | $I_F=20\text{mA}$ |
| Reverse Breakdown Voltage | BV_R | 5 | | 3 | V | $I_R=100\mu\text{A}$ |
| Luminous Intensity | I_V | 15 | 20 | | mcd | $I_F=20\text{mA}$ |
| Peak Wavelength | λ_p | | 630 | | nm | $I_F=20\text{mA}$ |
| Spectral Line Half Width | $\Delta\lambda$ | | 40 | | nm | $I_F=20\text{mA}$ |



MICRO ELECTRONICS LTD.

38, Hung To Road, Microtron Building, Kwun Tong, Kowloon, Hong Kong.
Kwun Tong P.O. Box 69477 Hong Kong. Fax No. 2341 0321 Telex: 43510 Micro Hx. Tel: 2343 0181-5