

FEATURES

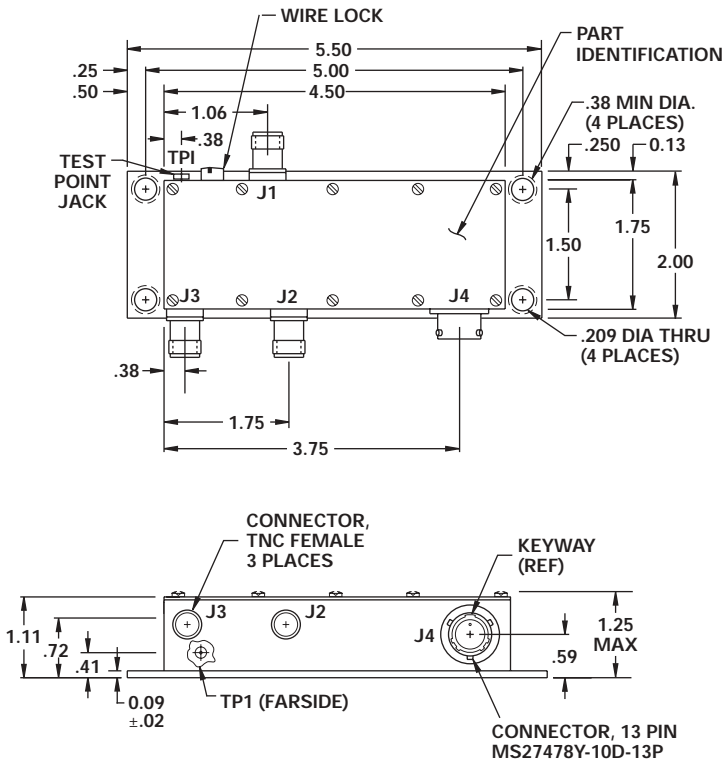
- Connects R/T to 2 Antennas (Upper or Lower)
- Auto Mode Cycles Between Upper and Lower Antenna
- Key Function with Memory Automatically Selects the Antenna on Which the Last Signal was Received
- Failsafe Mode Connects R/T to Lower Antenna in the Event of a Power Loss
- BIT Port for Functionality Test in Aircraft



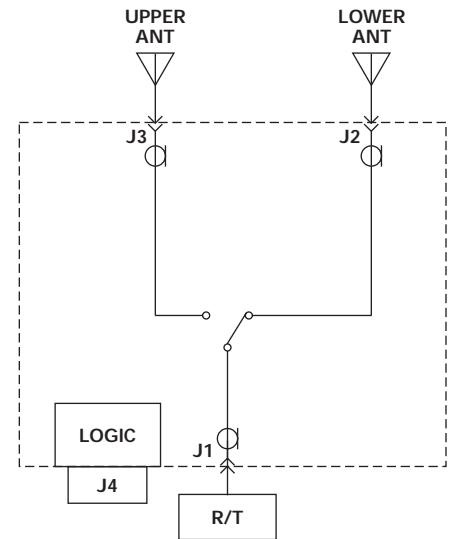
MODEL NO.
100D0988

2 Port Antenna Selector

HDI



.xx = .02
.xxx = .010



GUARANTEED PERFORMANCE

Parameter	Min	Typ	Max	Units	Conditions
Operating Frequency	DC		400	MHz	
DC Current			150	mA	At +28 VDC Supply
Isolation	40			dB	
Insertion Loss			0.5	dB	
VSWR			1.25/1		
Impedance		50		OHMS	
Switching Speed			5	mSec	
RF Power			100	W	Average
			500	W	Peak
Operating Temperature	-54	+25	+71	°C	Intermittent @ +95°C
Weight			9	OZ	