

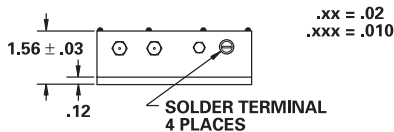
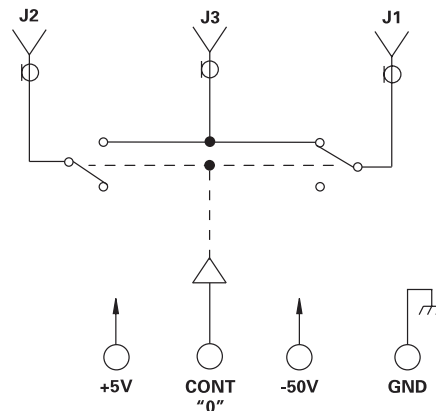
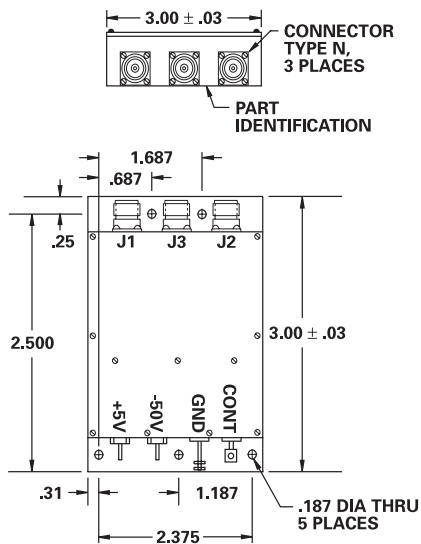
MODEL NUMBER 100C1598

High Power PIN Diode SP2T

FEATURES

- 2-32 MHz
- 0.1 dB Insertion Loss
- 500 Watts CW
- TTL Driver
- Type N Connectors

SP2T



GUARANTEED PERFORMANCE

Parameter	Min	Typ	Max	Units	Conditions
Operating Frequency	2		32	MHz	
DC Current		225 5	300 6	mA	At +5 VDC Supply At -50 VDC Supply
Control Type		TTL			1 Line Logic "0" = J3 - J1 Logic "1" = J3 - J2
Control Current	High Low		400 -1.6	μA mA	V _{IH} = +2.7V V _{IL} = +0.5V
Insertion Loss		0.07	0.1	dB	
Isolation		27	30	dB	
VSWR	Thru	1.06/1	1.2/1		
Impedance		50		OHMS	
Switching Speed			150	μSEC	50% TTL to 90% / 10% RF
RF Power	Operate		500	W	CW
Operating Temperature	-55	+25	+85	°C	TA

