

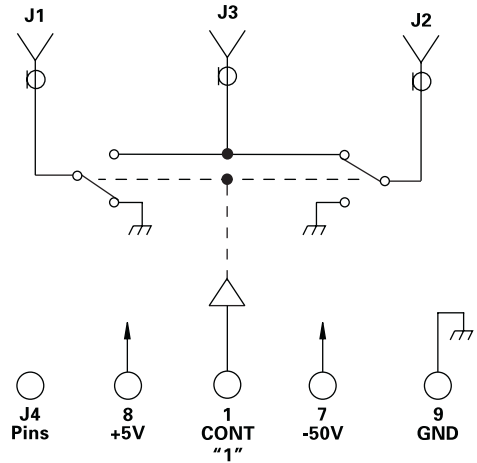
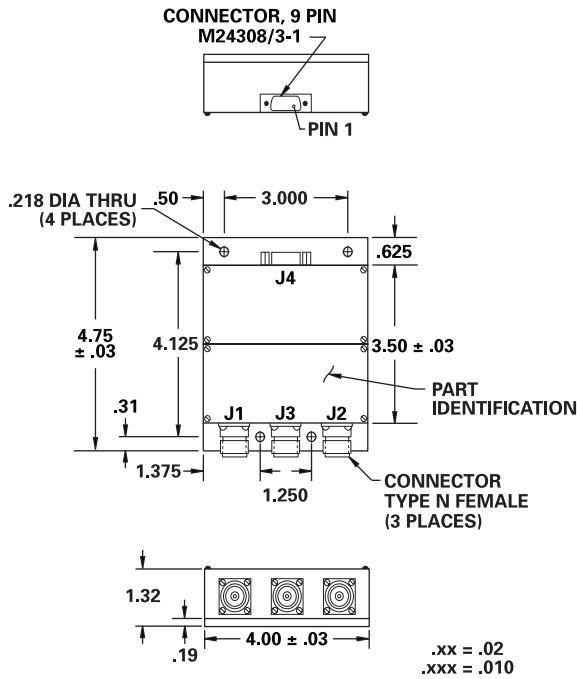
MODEL NUMBER 100C1492

Medium Power PIN Diode SP2T

FEATURES

- 100 - 500 MHz
- 0.2 dB Insertion Loss
- 100 Watts CW
- TTL Driver
- Type N Connectors

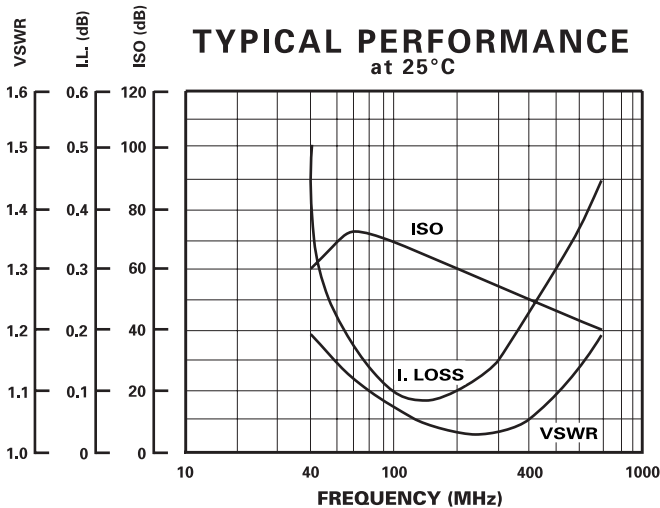
SP2T



GUARANTEED PERFORMANCE

Parameter	Min	Typ	Max	Units	Conditions
Operating Frequency	100		500	MHz	
DC Current		300		mA	At +5 VDC Supply
		10		mA	At -50 VDC Supply
Control Type		TTL			1 Line Logic "0" = J3 - J1 Logic "1" = J3 - J2
Control Current	High		1.2	mA	V _{IH} = +2.7V
	Low		5.0	mA	V _{IL} = +0.5V
Insertion Loss		0.25	0.4	dB	
Isolation	60	63		dB	100 - 200 MHz
	45	51		dB	200 - 500 MHz
VSWR	Thru	1.1/1	1.25/1		
Impedance		50		OHMS	
Switching Speed			30	μSEC	50% TTL to 90% / 10% RF
RF Power	Operate		100	W	CW
Operating Temperature	-55	+25	+85	°C	TA

TYPICAL PERFORMANCE at 25°C



DAICO Industries

310.507.3242 • FAX 310.507.5701 • www.daico.com