

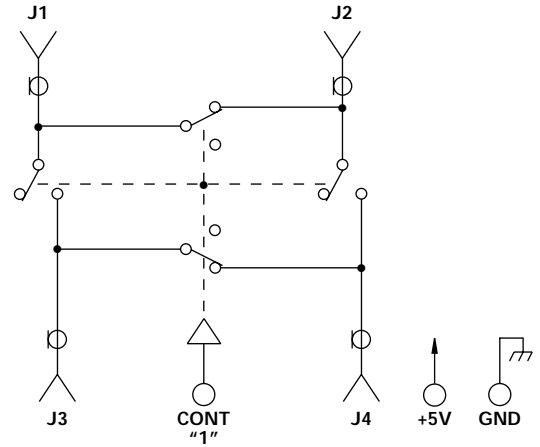
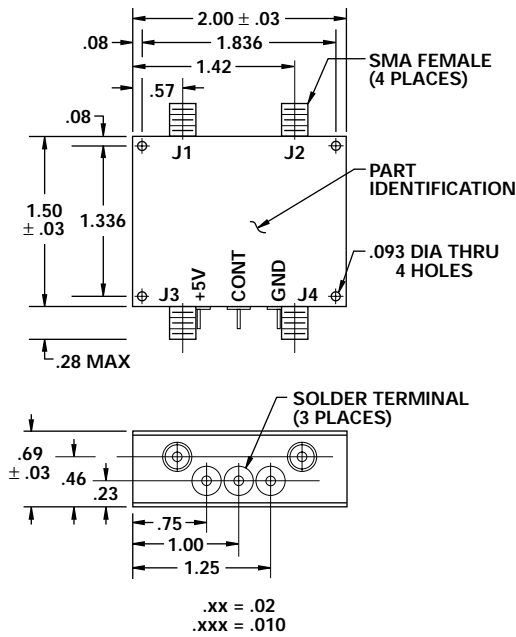
## FEATURES

- 20 - 600 MHz
- High Isolation
- +36 dBm 3rd Order I.P.
- TTL Driver
- SMA Connectors

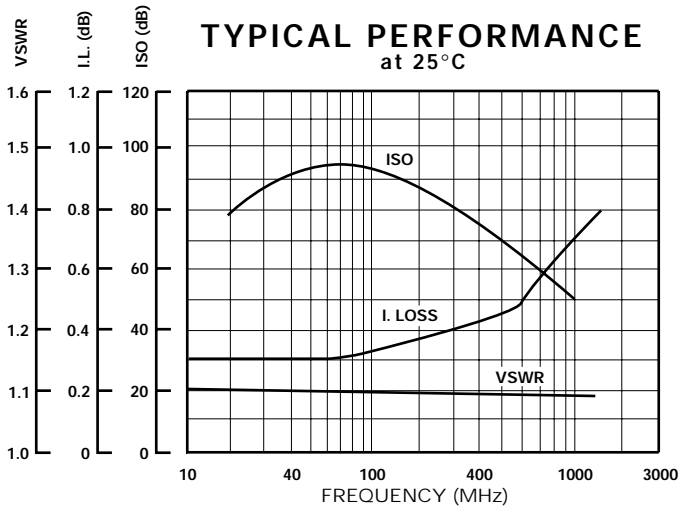


MODEL NO.  
100C1287

## PIN Diode Transfer Switch



## GUARANTEED PERFORMANCE



Parameter	Min	Typ	Max	Units	Conditions
Operating Frequency	20		600	MHz	
DC Current		80		mA	At +5 VDC Supply
Control Type		TTL			1 Line Logic "0" = J1 to J3, J2 to J4 Logic "1" = J1 to J2, J3 to J4
Control Current	High		200	$\mu$ A	$V_{IH} = +2.7$ V
	Low		-800	$\mu$ A	$V_{IL} = +0.5$ V
Insertion Loss		0.6	0.8	dB	
Isolation	70	82		dB	20 - 200 MHz
	55	65		dB	200 - 600 MHz
VSWR		1.1/1	1.25/1		
Impedance		50		OHMS	
Switching Speed			1.0	$\mu$ SEC	50% TTL to 90% / 10% RF
Intercept Points	3rd	+36		dBm	35 MHz / 50 MHz
RF Power	Operate		+10	dBm	0.1 dB Comp. Below 70 MHz
			+15	dBm	0.1 dB Comp. Above 70 MHz
	No Damage		+30	dBm	
Operating Temperature	-55	+25	+85	$^{\circ}$ C	TA