

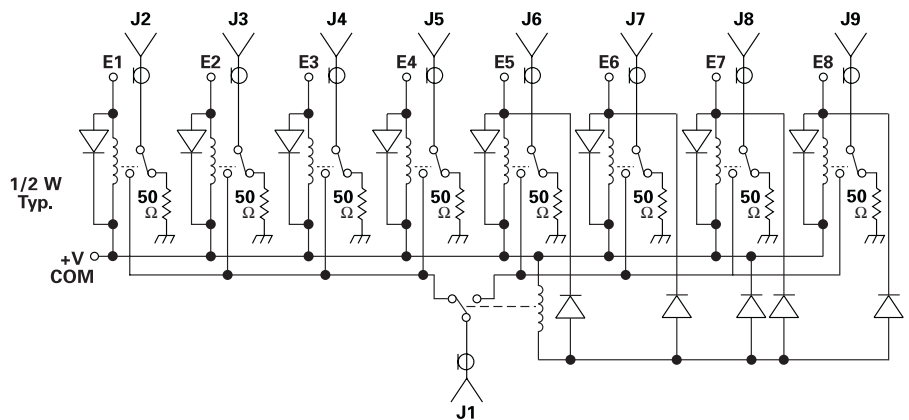
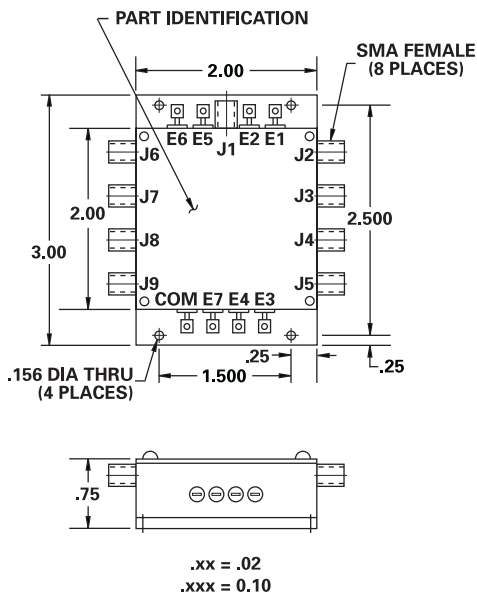
MODEL NUMBER 100C1159

SP8T Relay

FEATURES

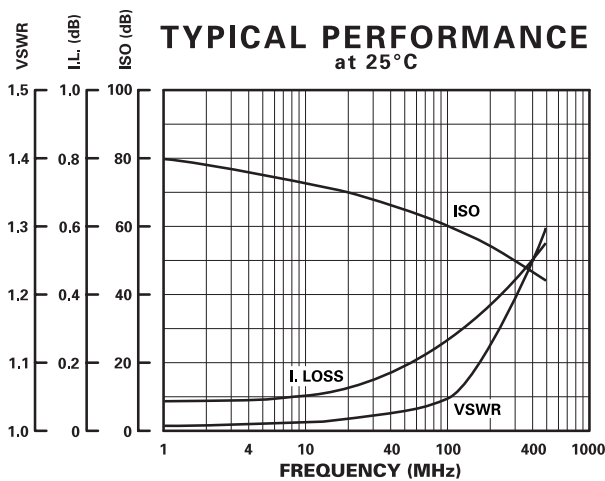
- DC - 200 MHz
- 50Ω Terminations
- 25 Watt CW
- SMA Connectors

SP8T



GUARANTEED PERFORMANCE

Parameter	Min	Typ	Max	Units	Conditions
Operating Frequency	DC		200	MHz	
DC Voltage					See Table
Insertion Loss		0.4	0.5	dB	
Isolation	50	55		dB	
VSWR	Thru	1.2/1	1.25/1		
Impedance		50		OHMS	
Switching Speed			5	mSec	
RF Power	Operate		25	W	CW (Thru)
Operating Temperature	-55	+25	+85	°C	TA



CONTROL VOLTAGE TABLE	
Voltage	Part No.
6	100C1159 - 6
12	100C1159 - 12
18	100C1159 - 18
26	100C1159 - 26

PART NO. EXAMPLE - SEE TABLE
100C1159 - 26
 Basic Part Number -26 for +26V Operation



DAICO Industries

310.507.3242 • FAX 310.507.5701 • www.daico.com