

INTEGRATED CONNECTOR MODULES

0813-1X1T-57-F Power over Ethernet Single Port MagJack®

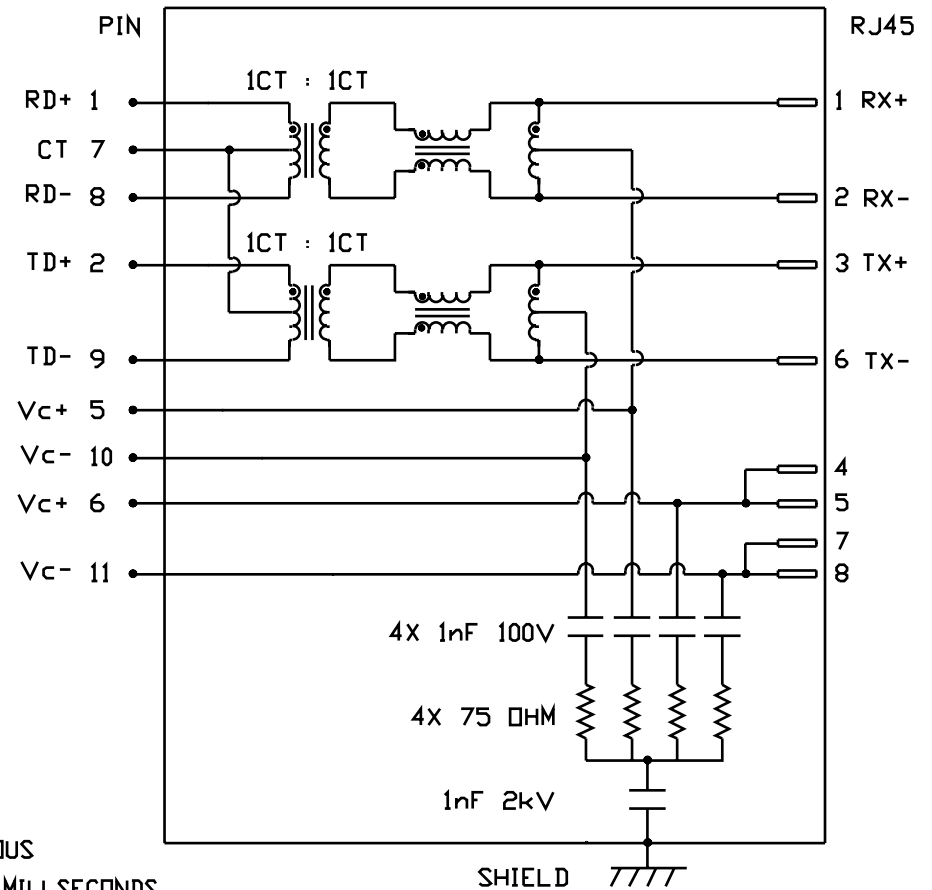


• Operating temperature 0° to +70° C

ELECTRICAL CHARACTERISTICS @ 25°C

TURNS RATIO DCL @ 100kHz/100mVRMS 8mA DC BIAS INSERTION LOSS 100kHz TO 100MHz RETURN LOSS (MIN.) 2MHz-30MHz 60MHz-80MHz LEAKAGE INDUCTANCE PRIMARY W/ SECONDARY SHORTED D.C. RESISTANCE (8-1)=(9-2) (RJ1-RJ2)=(RJ3-RJ6) INTERWINDING CAPACITANCE PER CHANNEL (PRI. to SEC.) CROSS TALK 100kHz - 100MHz BALANCED DC LINE CURRENT HIPOT (ISOLATION VOLTAGE)	1CT : 1CT ±2% 350µH MIN. -1.5 dB MAX. 16 dB MIN. 10 dB MIN. 0.25µH MAX. @ 1MHz 1.0 ΩHM MAX. 1.40 ΩHM MAX. 40 pF MAX. -30 dB MIN. 350mA MAX. @ 57 VDC CONTINUOUS 500mA MAX. @ 57 VDC FOR 200 MILLSECONDS 2250 VDC
---	--

SCHEMATIC

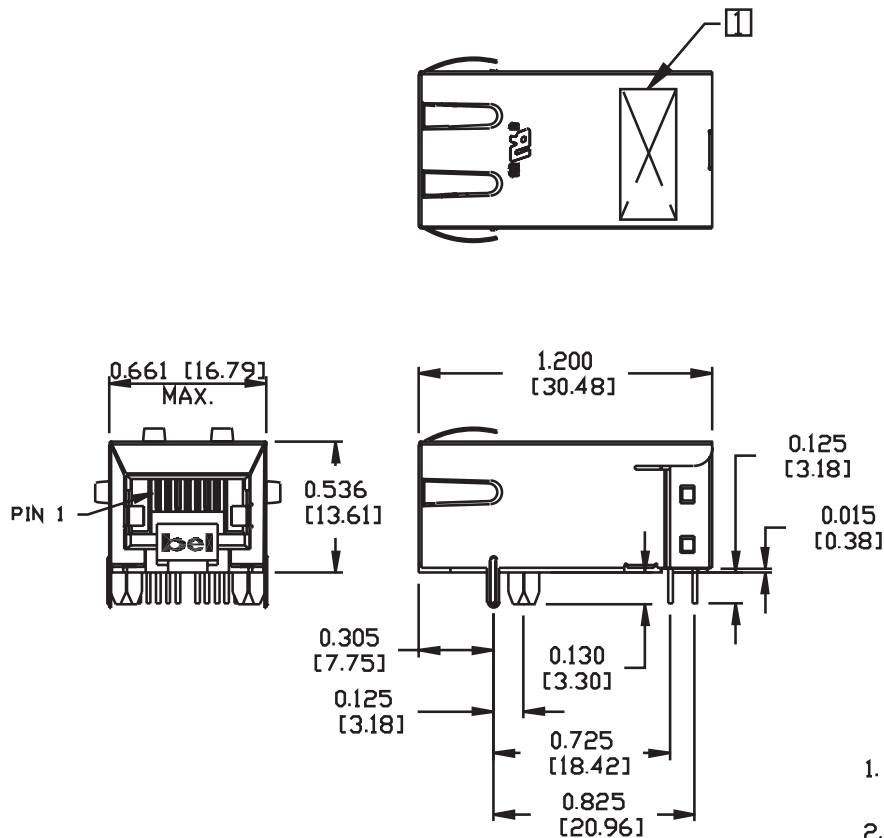


INTEGRATED CONNECTOR MODULES

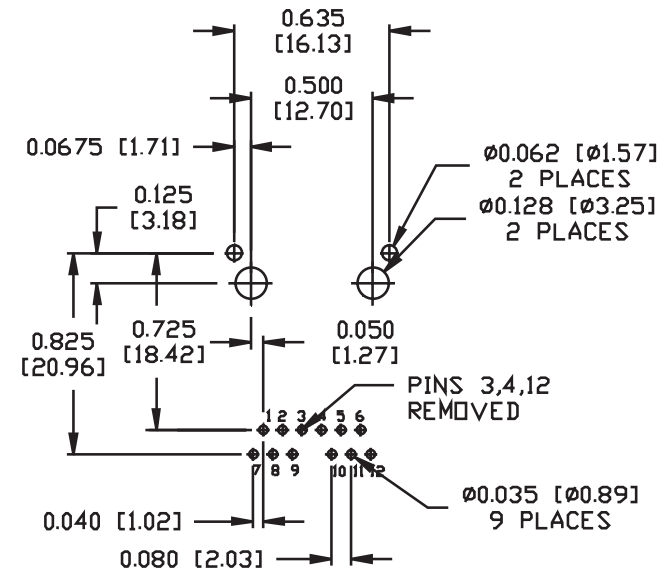
0813-1X1T-57-F Power over Ethernet Single Port MagJack®



MECHANICAL SPECIFICATION



RECOMMENDED PCB FOOTPRINT COMPONENT SIDE VIEW



NOTES:

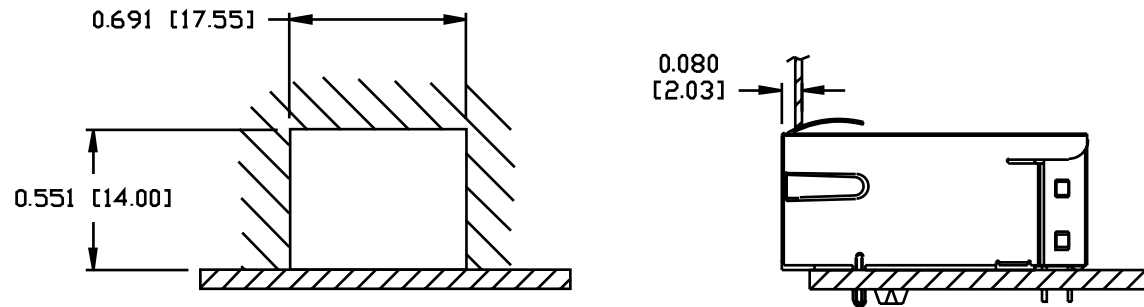
- PLASTIC HOUSING: THERMOPLASTIC PBT
FLAMMABILITY RATING UL 94V-0
- CONTACTS: 50 MICRO-INCH HARD GOLD PLATING
WITH UNDERPLATING OF 50 MICRO-INCH NICKEL.
- OUTPUT PINS: TIN-COATED COPPER WIRE, DIA 0.018 INCH.
- SOLDERABILITY: PER MIL STD. 202, METHOD 208.
- METAL SHIELD: TIN/LEAD PLATED ON COPPER ALLOY.

1. MARK PART WITH MFG LOGO, MFG NAME, PART NUMBER, AND DATE CODE
UL RECOGNIZED - FILE #E196366 AND E169987.
2. RoHS COMPLIANCE, PER EU DIRECTIVE 2002/95/EC.

INTEGRATED CONNECTOR MODULES
0813-1X1T-57-F Power over Ethernet Single Port MagJack®



SUGGESTED PANEL OPENING



PACKING INFORMATION

PACKING TRAY : 0200-0148-19

PACKING QUANTITY : 40 PCS FINISHED GOODS PER TRAY

10 TRAY (400 PCS FINISHED GOODS) PER CARTON BOX

NOTER: CARDBOARDS ARE PLACED BETWEEN LAYERS OF PACKING TRAY INSIDE
 CARTON BOX (INCLUDE THE UPPERMOST AND LOWERMOST TRAY)