

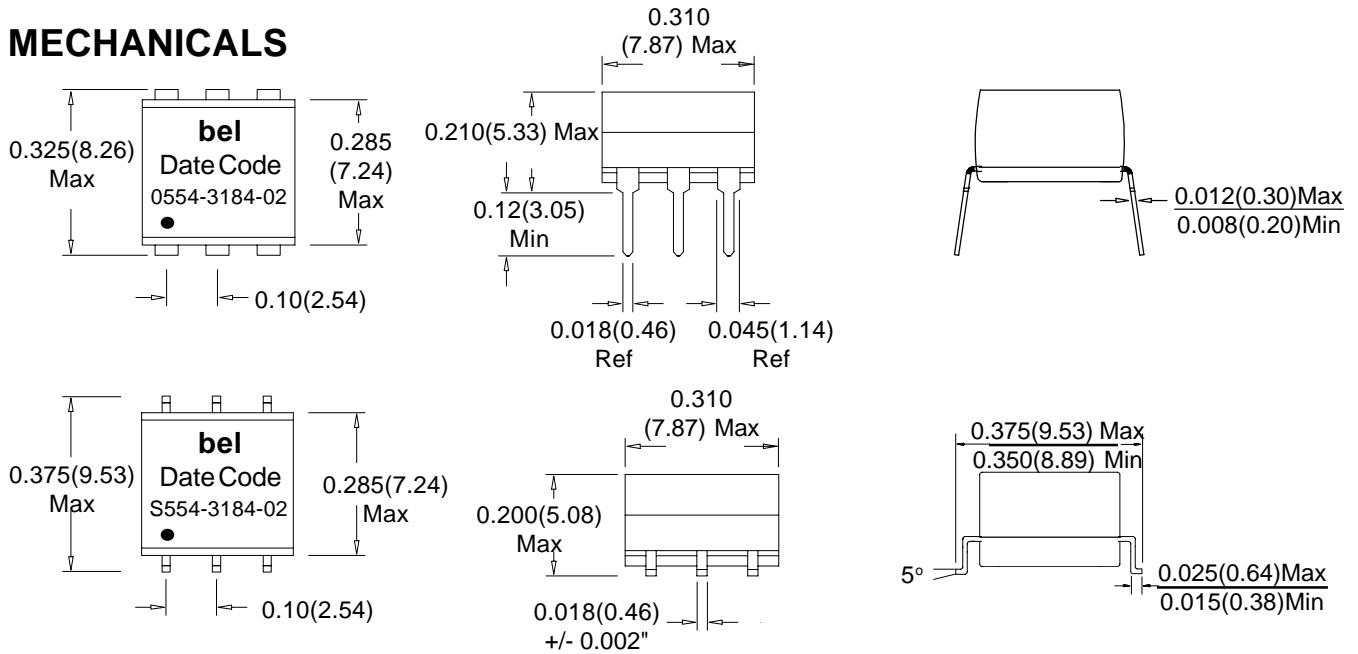
ISDN TRANSFORMERS T3 Applications

TM0022

Bel provides a small footprint transformer for use in multiple applications. It is available in both through hole and "pick and place compatible" SMD packaging.

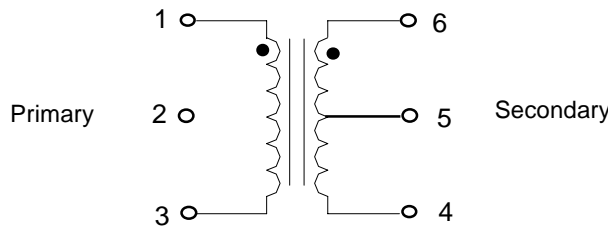
* High Reliability and Low Cost

MECHANICALS



Dimensions are in inches (mm).
Dimension tolerance +/- 0.01(0.25) unless otherwise stated.

SCHEMATIC



ELECTRICALS @ 25° C

Part Number	Turns Ratio +/- 5%	Primary Pins	Inductance OCL (μH) Min	Leakage Inductance L _L (μH) Max	DC Resistance DCR (ohms) Max		Interwinding Capacitance C _{ww} (pF) Max	Hipot (Vrms) @ 1 Sec
					Pins (1-3)	Pins (4-6)		
0554-3184-02	1:2CT	1-3	40	0.12	0.2	0.3	10	1500
S554-3184-02								

Corporate Office
Bel Fuse Inc.
 198 Van Vorst Street, Jersey City, NJ 07302-4496
 Tel: 201-432-0463
 Fax: 201-432-9542
 E-Mail: BelFuse@belfuse.com
 Internet: http://www.belfuse.com

Far East Office
Bel Fuse Ltd.
 8F/8 Luk Hop Street
 San Po Kong
 Kowloon, Hong Kong
 Tel: 852-2328-5515
 Fax: 852-2352-3706

European Office
Bel Fuse Europe Ltd.
 Preston Technology Management Centre
 Marsh Lane, Preston PR1 8UD
 Lancashire, U.K.
 Tel: 44-1772-556601
 Fax: 44-1772-888366