



Z84C15

IPC/EIPC ENHANCED INTELLIGENT PERIPHERAL CONTROLLER

GENERAL DESCRIPTION

The Z84C15 are a series of Intelligent Peripheral Controllers (IPC) targeted for a broad range of applications from error correction modems/faxes, to enhancement/cost reduction of existing Z80 hardware using Z80 based discrete devices. The products are software and hardware compatible with the discrete devices Z84C00, Z84C20, Z84C30 and Z84C40.

The enhanced version, Z84C15, is pin compatible with the Z84015 and both are housed in a 100-pin QFP package. Zilog also offers Z84C15 in a 100-pin VQFP package.

FEATURES

- Z84C15 Enhancements:
 - Power-On Reset
 - Two Additional Chip Select Pins
 - 32-Bit CRC for Channel A of SIO
 - WAIT State Generator
 - Simplified EV Mode
 - Schmitt Trigger I/O, No Tx/Rx Clock
 - Crystal Divide-by-One Mode
 - Z84C15 Features the Z84015 and Above Enhancements
 - Z84015 Features:
 - Z84C00 - CPU
 - Z84C40 - SIO - Two Serial Channels
 - Z84C30 - CTC - 4x8 bit C/T
 - Z84C20 - PIO
 - Watch-Dog Timer (WDT)
 - Clock Generator Controller (CGC)
 - Low Power Consumption
Three Operating Modes
 - 16 MHz Operation for Z84C15 Only.
 - Voltage Range 5V \pm 10%
 - 100-Pin VQFP Package for Z84C15
-

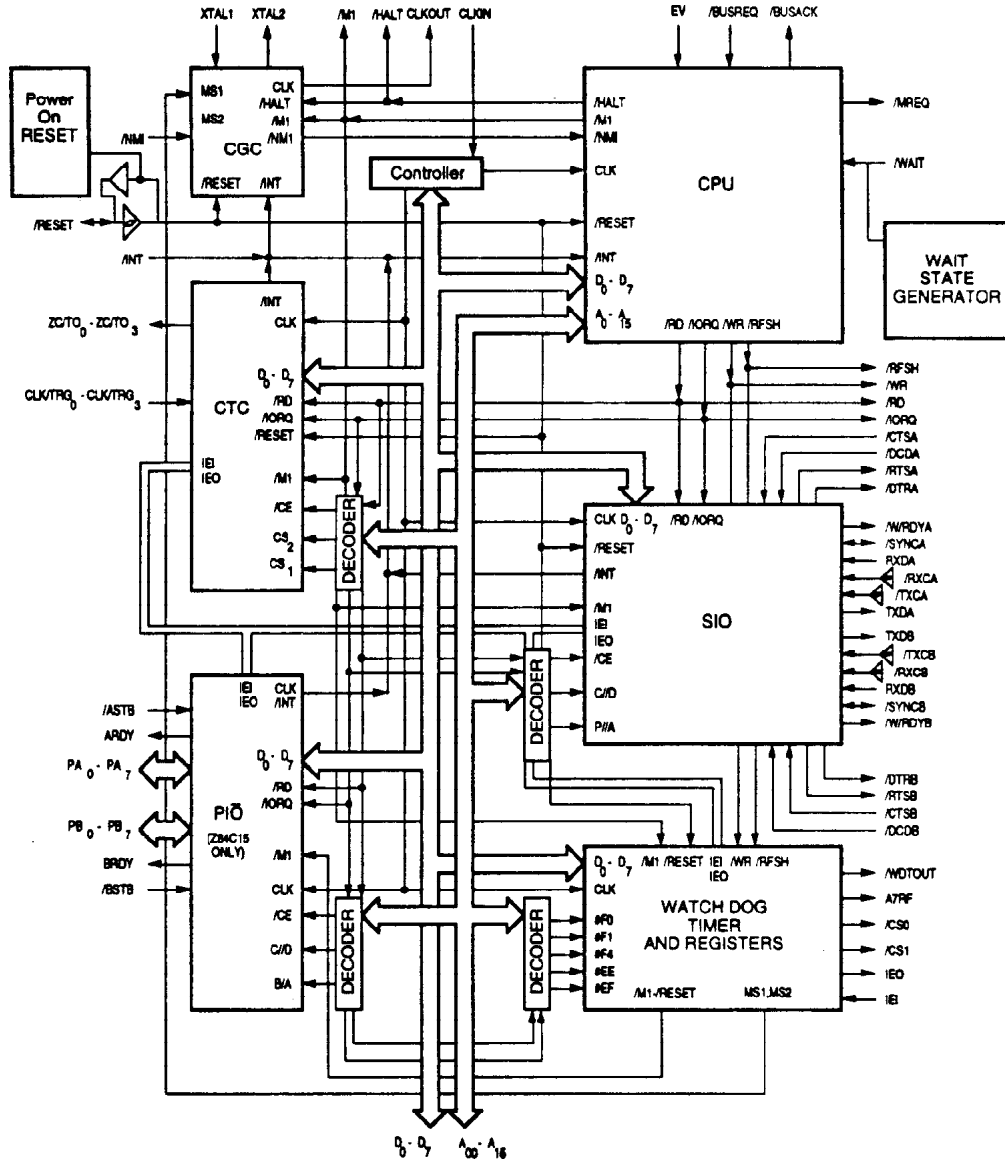


Figure 1. Z84C15 Functional Block Diagram

© 1997 by Zilog, Inc. All rights reserved. No part of this document may be copied or reproduced in any form or by any means without the prior written consent of Zilog, Inc. The information in this document is subject to change without notice. Devices sold by Zilog, Inc. are covered by warranty and patent indemnification provisions appearing in Zilog, Inc. Terms and Conditions of Sale only.

ZILOG, INC. MAKES NO WARRANTY, EXPRESS, STATUTORY, IMPLIED OR BY DESCRIPTION, REGARDING THE INFORMATION SET FORTH HEREIN OR REGARDING THE FREEDOM OF THE DESCRIBED DEVICES FROM INTELLECTUAL PROPERTY INFRINGEMENT. ZILOG, INC. MAKES NO WARRANTY OF MERCHANTABILITY OR FITNESS FOR ANY PURPOSE.

Zilog, Inc. shall not be responsible for any errors that may appear in this document. Zilog, Inc. makes no commitment to update or keep current the information contained in this document.

Zilog's products are not authorized for use as critical components in life support devices or systems unless a specific written agreement pertaining to such intended use is executed between the customer and Zilog prior to use. Life support devices or systems are those which are intended for surgical implantation into the body, or which sustains life whose failure to perform, when properly used in accordance with instructions for use provided in the labeling, can be reasonably expected to result in significant injury to the user.

Zilog, Inc. 210 East Hacienda Ave.
 Campbell, CA 95008-6600
 Telephone (408) 370-8000
 Telex 910-338-7621
 FAX 408 370-8056
 Internet: <http://www.zilog.com>