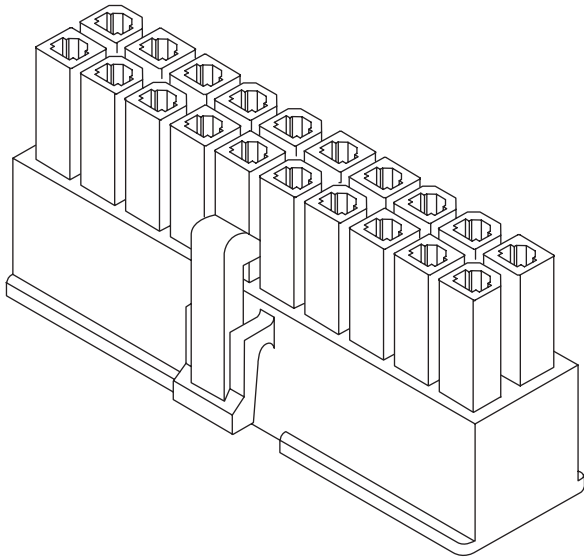


4.20mm (0.165") PITCH CONNECTOR

Wire-to-Board
Housing

SMH420 Series

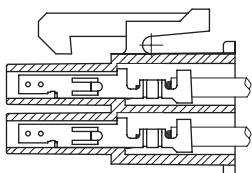
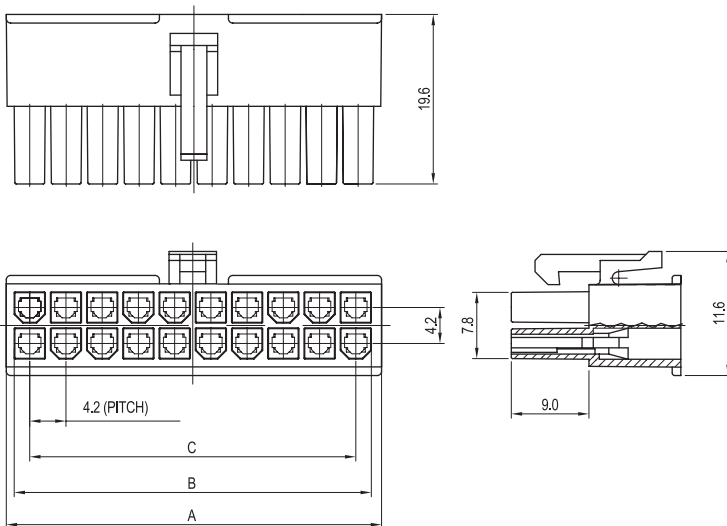


Material

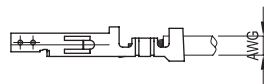
I/NO	DESCRIPTION	TITLE	MATERIAL
1	HOUSING	SMH420	PA66, UL94 V Grade

Available Pin

PARTS NO.	DIM. A	DIM. B	DIM. C
SMH420-06P	14.1	12.0	8.4
SMH420-08P	18.3	16.2	12.6
SMH420-10P	22.5	20.4	16.8
SMH420-12P	26.7	24.6	21.0
SMH420-14P	30.9	28.8	25.2
SMH420-16P	35.1	33.0	29.4
SMH420-18P	39.3	37.2	33.6
SMH420-20P	43.5	41.4	37.8
SMH420-22P	47.7	45.6	42.0
SMH420-24P	51.9	49.8	46.2



TERMINAL ASSEMBLY DRAWING



AWG : #16 ~ #20

Specification

ITEM	SPEC
Voltage Rating	AC/DC 600V
Current Rating	AC/DC 9A
Operating Temperature	-25°C ~ +85°C
Contact Resistance	30mΩ MAX
Withstanding Voltage	AC1500V/1min
Insulation Resistance	1000MΩ MIN
Applicable Wire	AWG #16~#20
Applicable P.C.B	-
Applicable FPC/FFC	-
Solder Height	-
Crimp Tensile Strength	-
UL FILE NO	-

Application Terminal : SMT420 (199 page)