

Phase Shifter

JSPHS-26

50Ω 180° Voltage Variable 18 to 26 MHz

Maximum Ratings

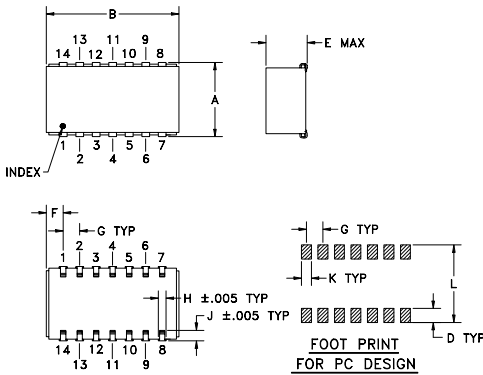
Operating Temperature	-40°C to 85°C
Storage Temperature	-55°C to 100°C
RF Input Power	20 dBm max.
Control Voltage	20V

Pin Connections

IN	1
OUT	7
BIAS	4,6^
GROUND	2,3,5,8,9,10,11,12,13,14

^ pins must be connected together externally

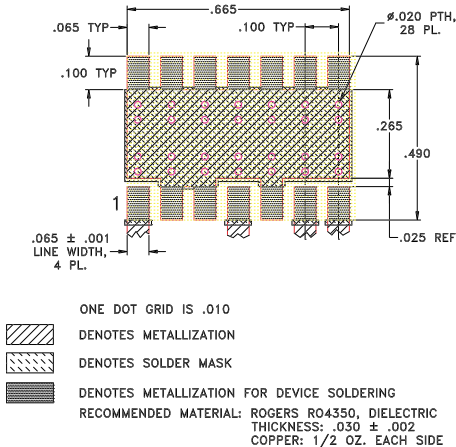
Outline Drawing



Outline Dimensions (inch/mm)

A	B	C	D	E	F	G	H	J	K	L	wt
.450	.803	--	.100	.250	.102	.100	.047	.065	.065	.470	grams
11.43	20.40	--	2.54	6.35	2.59	2.54	1.19	1.65	1.65	11.94	3.0

Demo Board MCL P/N: TB-122 Suggested PCB Layout (PL-030)



Features

- good VSWR, 1.3:1 typ.
- low insertion loss, 1.2 dB typ.
- solder-plated J-leads for excellent solderability and strain relief
- aqueous washable

Applications

- IF signal processing



CASE STYLE: BK276
 PRICE: \$29.95 ea. QTY (1-9)

Phase Shifter Electrical Specifications

FREQUENCY (MHz)	PHASE RANGE (Degrees)		INSERTION LOSS (dB)		CONTROL VOLTAGE (V)	CONTROL BANDWIDTH (kHz)	VSWR (:1)	
	Min.	Max.	Typ.	Max.			Typ.	Max.
18-26	180		1.2	3.0	0-12	DC-50	1.2	1.7

Maximum operating power, 0 dBm

Typical Performance Data

Control Voltage (V)	Phase Shift* (degrees)			VSWR (:1)			Insertion Loss (dB)		
	18 MHz	22 MHz	26 MHz	18 MHz	22 MHz	26 MHz	18 MHz	22 MHz	26 MHz
0.00	0.00	0.00	0.00	1.17	1.28	1.22	1.28	0.99	0.94
2.00	40.75	14.16	6.22	1.11	1.31	1.24	1.48	1.11	0.98
4.00	89.04	34.13	14.10	1.02	1.34	1.27	1.46	1.30	1.05
6.00	137.90	70.92	27.04	1.15	1.35	1.30	1.20	1.59	1.17
8.00	177.31	149.42	59.86	1.19	1.20	1.38	0.91	1.70	1.53
10.00	204.19	221.13	159.17	1.17	1.06	1.37	0.74	1.15	2.20
11.00	212.53	241.18	210.92	1.16	1.03	1.23	0.70	0.95	1.78
12.00	218.74	254.46	245.15	1.15	1.01	1.14	0.68	0.83	1.32

*Normalized at control voltage=0V

