



# EVERLIGHT ELECTRONICS CO.,LTD.

Device Number : CDDD-566-002 REV: 1

## 0.52" Dual Digit Displays

PART NO. : FND5910/D566IDR/L18 ECN : \_\_\_\_\_ Page: 1/5

### ■ Features :

- Industrial standard size.
- Low power consumption.
- Categorized for luminous intensity.

### ■ Applications:

- Audio equipment
- Instrument panels
- Digital read out display

### ■ Descriptions :

- The ELD-566 series is a large 13.2 mm (0.52")high seven segment display designed for viewing distances up to 7 meters.
- These displays provide excellent reliability in bright ambient light.
- These devices are made with red segments and red surface.

PART NO.	Chip	
	Material	Emitted Color
<b>FND5910/D566IDR/L18</b>	<b>GaAsP/GaP</b>	<b>Hi-Eff Red</b>

OFFICE : NO. 25,Lane 76,Sec.3, Chung Yang Rd., Tucheng 236, Taipei, Taiwan, R.O.C.

TEL : 886-2-2267-2000,2267-9936

FAX : 886-2-2267-6244,22676189,22676306

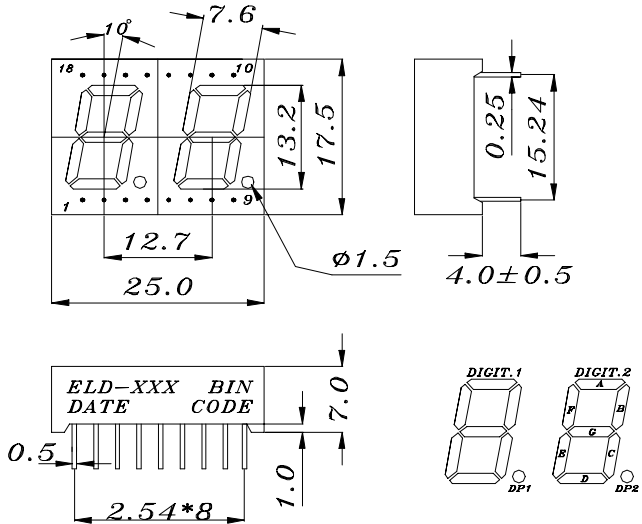
<http://www.everlight.com>

T03245 50002654



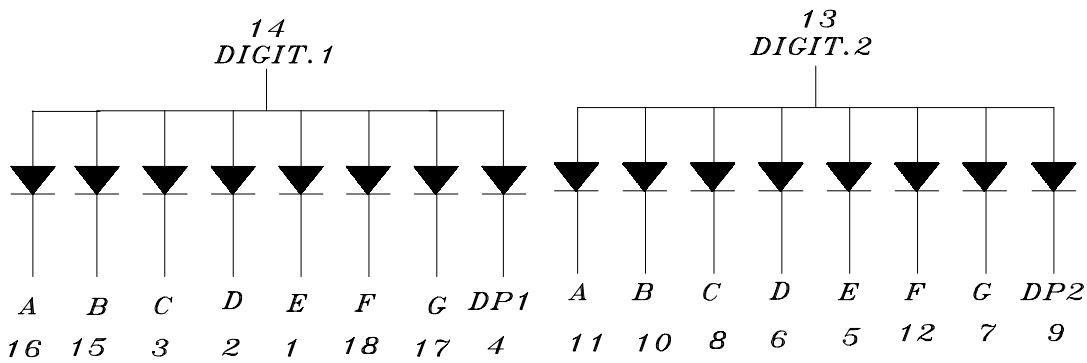
0.52" Dual Digit Displays

Package Dimensions:



COMMON ANODE

- 1 CATHODE E
- 2 CATHODE D
- 3 CATHODE C
- 4 CATHODE DP1
- 5 CATHODE E
- 6 CATHODE D
- 7 CATHODE G
- 8 CATHODE C
- 9 CATHODE DP2
- 10 CATHODE B
- 11 CATHODE A
- 12 CATHODE F
- 13 COMMON ANODE DIGIT.2
- 14 COMMON ANODE DIGIT.1
- 15 CATHODE B
- 16 CATHODE A
- 17 CATHODE G
- 18 CATHODE F



Notes:

- 1. All dimensions are in millimeters, tolerance is 0.25mm unless otherwise noted.
  - 2. Above specification may be changed without notice.
- Supplier will reserve authority on material change for above specification.



# EVERLIGHT ELECTRONICS CO.,LTD.

Device Number : CDDD-566-002 REV: 1

0.52" Dual Digit Displays

PART NO. : FND5910/D566IDR/L18 ECN : \_\_\_\_\_ Page: 3/5

### ■ Absolute maximum ratings at Ta = 25°C :

Parameter	Symbol	Rating	Unit
Reverse Voltage	VR	5	V
Forward Current	IF	30	mA
Operating Temperature	Topr	-40 to +85	°C
Storage Temperature	Tstg	-40 to +100	°C
Soldering Temperature	Tsol	260 ± 5	°C
Power Dissipation	Pd	100	mW
Peak Forward Current(Duty 1/10 @ 1KHZ)	IF(Peak)	160	mA

### ■ Electronic optical characteristics :

Parameter		Symbol	Min.	Typ.	Max.	Unit	Condition
Luminous Intensity	Per segment	Iv	0.75	2.0	----	mcd	IF=10mA
	Per decimal point		0.3	0.6	----		
Peak Wavelength		$\lambda p$	----	635	----	nm	IF=20mA
Dominant Wavelength		$\lambda d$	----	625	----	nm	IF=20mA
Spectrum Radiation Bandwidth		$\Delta \lambda$	----	45	----	nm	IF=20mA
Forward Voltage		VF	1.7	2.0	2.4	V	IF=20mA
Reverse Current		IR	----	----	10	$\mu A$	VR=5V





# EVERLIGHT ELECTRONICS CO.,LTD.

Device Number : CDDD-566-002 REV: 1

0.52" Dual Digit Displays

PART NO. : FND5910/D566IDR/L18 ECN : \_\_\_\_\_ Page: 5/5

■ Reliability test items and conditions:

NO	Item	Test Conditions	Test Hours/Cycle	Sample Size	Ac/Re
1	Solder Heat	TEMP : 260°C ± 5 °C	5 SEC	76 PCS	0/1
2	Temperature Cycle	H : +85°C 30min ∫ 5 min L : -55°C 30min	50 CYCLE	76 PCS	0/1
3	Thermal Shock	H : +100°C 5min ∫ 10 sec L : -10°C 5min	50 CYCLE	76 PCS	0/1
4	High Temperature Storage	TEMP : 100°C	1000 HRS	76 PCS	0/1
5	Low Temperature Storage	TEMP : -55°C	1000 HRS	76 PCS	0/1
6	DC Operating Life	IF = 10 mA	1000 HRS	76 PCS	0/1
7	High Temperature / High Humidity	85°C /85% RH	1000 HRS	76 PCS	0/1

--	--	--	--	--	--