


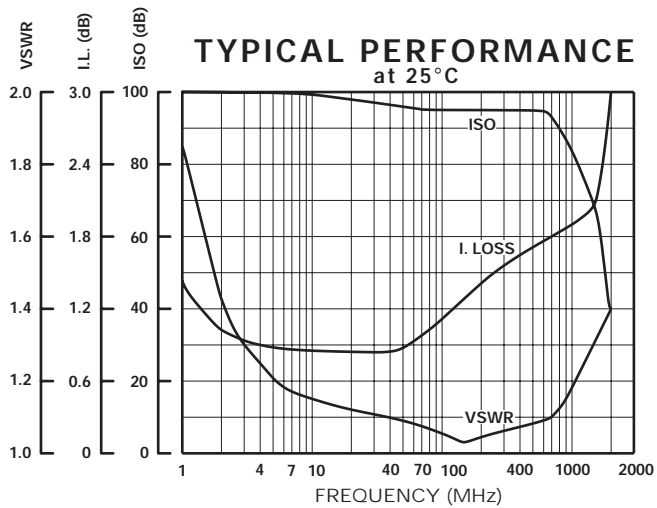
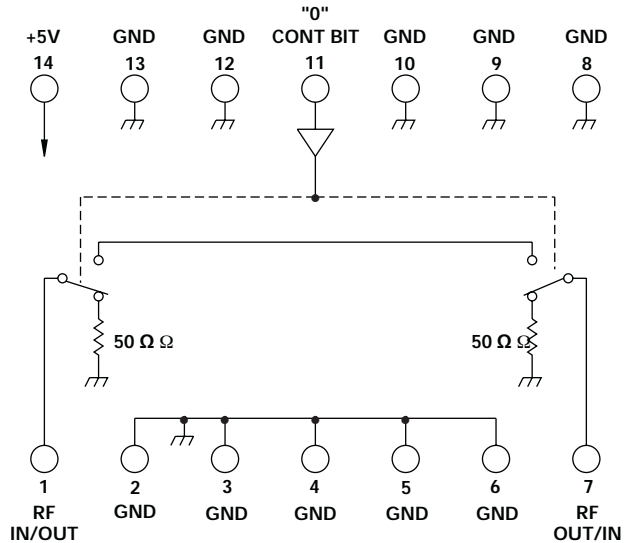
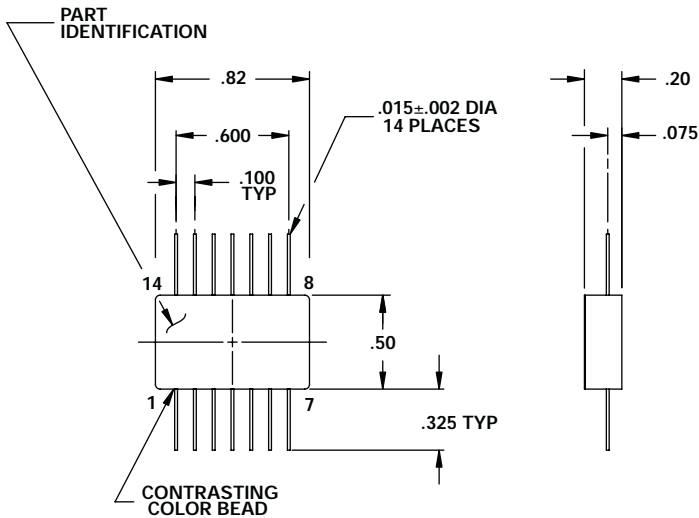
FEATURES

- 10 - 1000 MHz
- Very Low Transients
- 215 nSec Switching Speed
- 7.7 mA @ +5 VDC
- 14 Pin Flatpack

PSMD


MODEL NO.
DPM08036

Pulse Modulator



GUARANTEED PERFORMANCE

Parameter	Min	Typ	Max	Units	Conditions
Operating Frequency	10		1000	MHz	
DC Current		7.7	10	mA	At +5 VDC Supply
Control Type		TTL			1 Line, 1=Thru
Control Current:				µA	VIH = +2.0V VIL = +0.8V
	High	0	50		
	Low	0	-500		
Insertion Loss		2.0	3.0	dB	
Isolation	75	83		dB	
VSWR:					
	Thru	1.10/1	1.3/1		
	Termination	1.05/1	1.5/1		
Impedance		50		OHMS	
Switching Speed		215	300	nSEC	50% TTL to 10% / 90% RF
Transition (Rise/Fall) Time		45	200	nSEC	90% / 10% or 10% / 90% RF
In Band Transients			100		Control Signal PRF Range 22 Hz To 334 KHz Minimum Pulse Width 1.0 µ Sec
		-60	-37	dBm	DC-50 MHz
		-84	-57	dBm	50-96 MHz
		-93	-85	dBm	In Band
Intercept Points				dBm	
	2nd	+60	+73		
	3rd	+40	+44		
RF Power				dBm	0.1 dB Compression 1.0 dB Compression
	Operate		+19		
			+22		
	No Damage		+30		
Operating Temperature	-40	+25	+90	°C	TA