

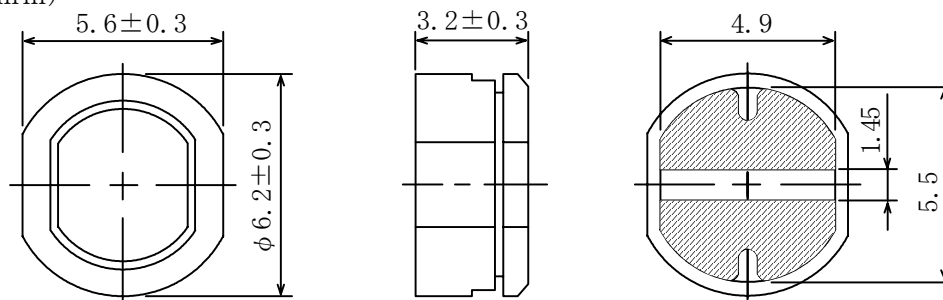
仕様書

形名

CDR63B

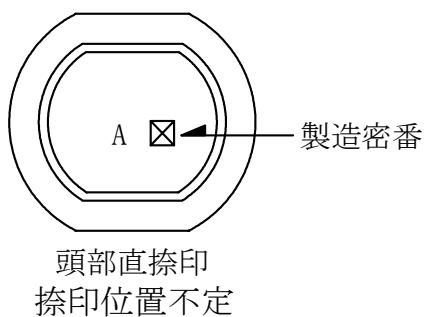
1. 外形

1-1. 寸法図(mm)

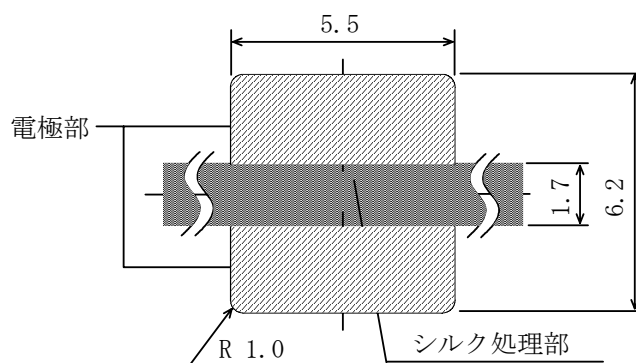


* 公差のない寸法は参考値とする。

1-2. 捺印表示例



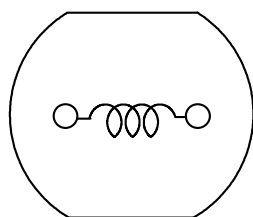
1-3. 推奨ランド寸法図(mm)



電極(端子)間の隙間はシルク処理をして御使用下さい。

2. コイル仕様

2-1. 端子接続図(裏面図)



RoHS

compliance
Cd:Max. 0.01wt%
others:Max. 0.1wt%



仕様書

形名

CDR63B

2-2. 電気的特性

NO.	品名	表示	インダクタンス [以内] ※1	D. C. R. (Ω) [以下] (at 20°C)	定格電流 (A) ※2	S. R. F. (MHz) [参考値]	スミダ コード
01	CDR63BNP-10 \emptyset MC	A	10 μ H \pm 20%	0.14	1.00	35.3	4725-0041
02	CDR63BNP-10 \emptyset MB						4725-0042
03	CDR63BNP-12 \emptyset MC	B	12 μ H \pm 20%	0.16	0.94	32.2	4725-0043
04	CDR63BNP-12 \emptyset MB						4725-0044
05	CDR63BNP-15 \emptyset MC	C	15 μ H \pm 20%	0.18	0.86	29.3	4725-0045
06	CDR63BNP-15 \emptyset MB						4725-0046
07	CDR63BNP-18 \emptyset MC	D	18 μ H \pm 20%	0.25	0.78	26.7	4725-0047
08	CDR63BNP-18 \emptyset MB						4725-0049
09	CDR63BNP-22 \emptyset MC	E	22 μ H \pm 20%	0.32	0.76	23.1	4725-0050
10	CDR63BNP-22 \emptyset MB						4725-0051
11	CDR63BNP-27 \emptyset MC	F	27 μ H \pm 20%	0.36	0.64	20.8	4725-0052
12	CDR63BNP-27 \emptyset MB						4725-0053
13	CDR63BNP-33 \emptyset LC	G	33 μ H \pm 15%	0.41	0.61	18.2	4725-0054
14	CDR63BNP-33 \emptyset LB						4725-0055
15	CDR63BNP-39 \emptyset LC	H	39 μ H \pm 15%	0.47	0.53	17.0	4725-0056
16	CDR63BNP-39 \emptyset LB						4725-0057
17	CDR63BNP-47 \emptyset LC	J	47 μ H \pm 15%	0.51	0.50	15.3	4725-0058
18	CDR63BNP-47 \emptyset LB						4725-0060
19	CDR63BNP-56 \emptyset LC	K	56 μ H \pm 15%	0.72	0.46	14.1	4725-0062
20	CDR63BNP-56 \emptyset LB						4725-0063
21	CDR63BNP-68 \emptyset LC	L	68 μ H \pm 15%	0.82	0.42	12.1	4725-0064
22	CDR63BNP-68 \emptyset LB						4725-0065

* 品名表示の区分

(1) リール梱包の場合: CDR63BNP-XXXXC

(2) 箱梱包の場合: CDR63BNP-XXXXB

※1: 測定周波数 L at 2.52 MHz

※2: 定格電流は直流重畳特性に於て、インダクタンスが初期値より-10%となる電流もしくは直流電流を流した時のコイルの発熱が $\Delta t=40^{\circ}\text{C}$ となる電流値の少ない方の値。(Ta=20°Cを基準とする。)

3. 使用温度範囲: $-40^{\circ}\text{C} \sim +100^{\circ}\text{C}$ (コイルの発熱を含む。)

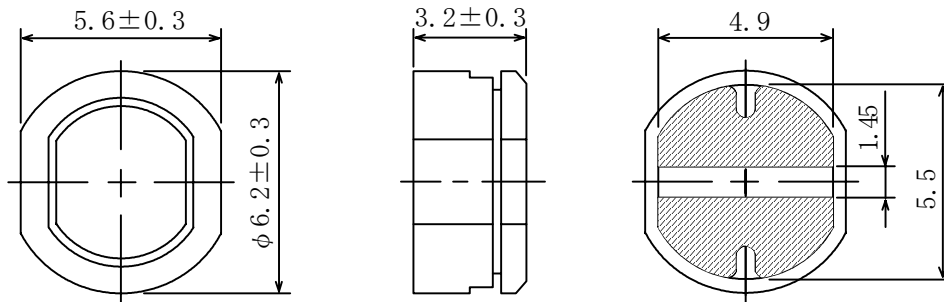
保存温度範囲: $-40^{\circ}\text{C} \sim +100^{\circ}\text{C}$.

SPECIFICATION

TYPE
CDR 63B

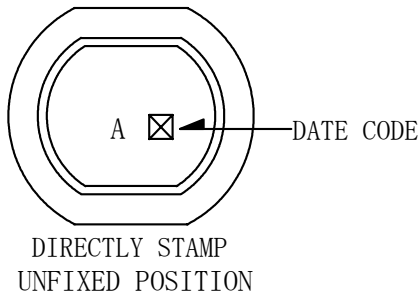
1. APPEARANCE

1-1. DIMENSIONS (mm)

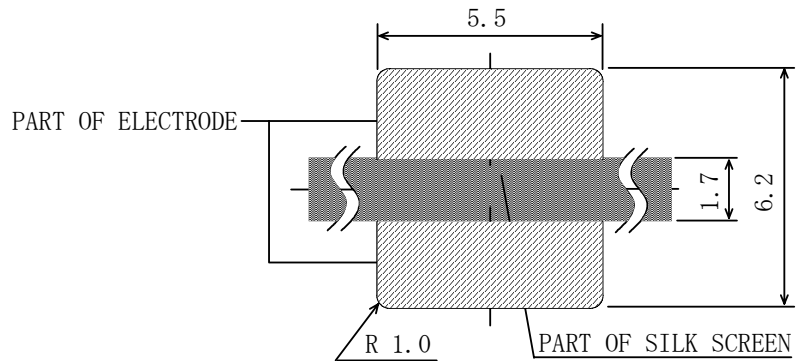


* DIMENSIONS WITHOUT TOLERANCE ARE APPROX.

1-2. STAMP (E. G.)



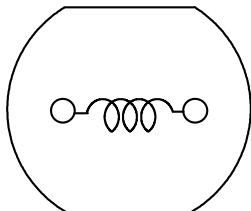
1-3. RECOMMENDED LAND PATTERNS DIMENSION (mm)



PLEASE COAT WITH SILK SCREEN BETWEEN THE TWO ELECTRODES.

2. COIL SPECIFICATION

2-1. CONNECTION (BOTTOM VIEW)



RoHS

compliance
Cd:Max. 0.01wt%
others:Max. 0.1wt%



SPECIFICATION

TYPE CDR63B

2-2. ELECTRICAL CHARACTERISTICS

NO.	PART NO.	STAMP	INDUCTANCE [WITHIN] ※1	D. C. R. (Ω) [MAX.] (at 20°C)	RATED CURRENT (A) ※2	S. R. F. (MHz) [TYP.]	SUMIDA CODE
01	CDR63BNP-10 \emptyset MC	A	10 μ H \pm 20%	0.14	1.00	35.3	4725-0041
02	CDR63BNP-10 \emptyset MB						4725-0042
03	CDR63BNP-12 \emptyset MC	B	12 μ H \pm 20%	0.16	0.94	32.2	4725-0043
04	CDR63BNP-12 \emptyset MB						4725-0044
05	CDR63BNP-15 \emptyset MC	C	15 μ H \pm 20%	0.18	0.86	29.3	4725-0045
06	CDR63BNP-15 \emptyset MB						4725-0046
07	CDR63BNP-18 \emptyset MC	D	18 μ H \pm 20%	0.25	0.78	26.7	4725-0047
08	CDR63BNP-18 \emptyset MB						4725-0049
09	CDR63BNP-22 \emptyset MC	E	22 μ H \pm 20%	0.32	0.76	23.1	4725-0050
10	CDR63BNP-22 \emptyset MB						4725-0051
11	CDR63BNP-27 \emptyset MC	F	27 μ H \pm 20%	0.36	0.64	20.8	4725-0052
12	CDR63BNP-27 \emptyset MB						4725-0053
13	CDR63BNP-33 \emptyset LC	G	33 μ H \pm 15%	0.41	0.61	18.2	4725-0054
14	CDR63BNP-33 \emptyset LB						4725-0055
15	CDR63BNP-39 \emptyset LC	H	39 μ H \pm 15%	0.47	0.53	17.0	4725-0056
16	CDR63BNP-39 \emptyset LB						4725-0057
17	CDR63BNP-47 \emptyset LC	J	47 μ H \pm 15%	0.51	0.50	15.3	4725-0058
18	CDR63BNP-47 \emptyset LB						4725-0060
19	CDR63BNP-56 \emptyset LC	K	56 μ H \pm 15%	0.72	0.46	14.1	4725-0062
20	CDR63BNP-56 \emptyset LB						4725-0063
21	CDR63BNP-68 \emptyset LC	L	68 μ H \pm 15%	0.82	0.42	12.1	4725-0064
22	CDR63BNP-68 \emptyset LB						4725-0065

* PART NO. DESCRIPTION

(1) IN CASE OF REEL PACKING: CDR63BNP-XXXXC

(2) IN CASE OF BOX PACKING: CDR63BNP-XXXXB

※1 : MEASURED FREQUENCY L at 2.52 MHz

※2 : THE RATED CURRENT INDICATES THE VALUE OF CURRENT WHEN THE INDUCTANCE IS 10% LOWER THAN ITS INITIAL VALUE AT D. C. SUPERPOSITION OR D. C. CURRENT WHEN $\Delta T=40^{\circ}\text{C}$ WHICHEVER IS LOWER. ($T_a=20^{\circ}\text{C}$)

3. STORAGE TEMPERATURE RANGE: $-40^{\circ}\text{C}\sim+100^{\circ}\text{C}$

OPERATING TEMPERATURE RANGE: $-40^{\circ}\text{C}\sim+100^{\circ}\text{C}$ (INCLUDING SELF TEMPERATURE RISE)