



AC/DC UNIVERSAL FAST CHARGER

Rev. 01

FEATURES

- LINE VOLTAGE 90 - 264 VAC
- SINGLE OUTPUT MAX 8W
- DESIGNED FOR ON LINE CHARGING OF MOBILE PHONES
- EMC COMPLIANCE ACCORDING TO EU AND US DIRECTIVES
- SAFETY APPROVAL ACCORDING TO EN60950
- CE AND UL MARKED. AUSTRALIA, UK, SOUTH AFRICA AND CHINA MARKING UPON REQUEST
- OUTPUT CURRENT AND VOLTAGE LEVELS ACCORDING TO CUSTOMER REQUIREMENTS
- OUTPUT VOLTAGE PRECISION: +/- 5%
- OUTPUT CURRENT PRECISION : +/- 8%
- OUTPUT RIPPLE VOLTAGE <100 mVpp
- INPUT FUSE PROTECTION
- OUTPUT SHORT CIRCUIT PROTECTION
- RG11 OUTPUT CONNECTOR ONLY WITH EURO PLUG.
- 2-WIRES DC CORD WITH STRAIN RELIEF TERMINATED WITH ANY CUSTOM CONNECTOR AVAILABLE UPON REQUEST. A VARIETY OF PLUGS CAN BE ASSEMBLED ON THIS VERSION.
- LOW STAND BY POWER

PRODUCT VIEW



(Ghibli Housing with RG11)

ORDERING NUMBER: GSAC-xxCCCy

Plug Type:	Part Number:
EURO	GSAC-xxCCC1

xx = Output Current level (2 Digits)
CCC= Customer Identifier (3 Digits)
y = plug type

DESCRIPTION

The Fast Charger GHIBLI has been designed for charging all types of batteries, including NiMH, NiCd and Li-Ion batteries in hand held mobile phones. GHIBLI is a high performance high efficiency AC/DC switching mode constant voltage & current generator. The output voltage and current levels are set up by design in accordance with customer requirements.

Typical reference values in this data sheet are 10V, 800 mA with the input Vac ranging from 90 to 264 Vrms.

GHIBLI

Coming into the small Ghibli housing, this fast charger is equipped with the European AC plug. Interface to the phone is ensured via a RG11 connector. However, the same electronic platform can be assembled upon customer request into the Robin housing. The Robin housing can be assembled with a variety of AC plug (UK, US, Australia, South Africa/India, and China), interface to the phone is ensured via a 2 wires cord with strain relief, terminated with customer specified connector. Typical weight is 70 grams only, without cable.

AGENCY Approvals

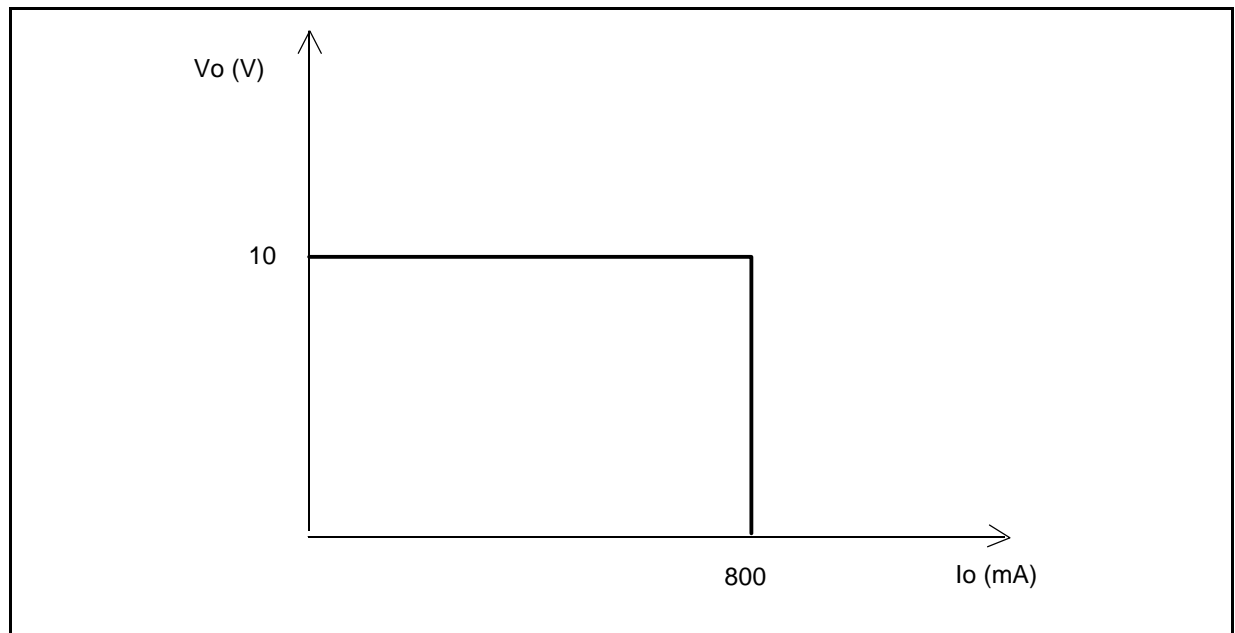
The charger is certified by competent agencies to comply with most popular safety and EMC requirements, including but not limited to:

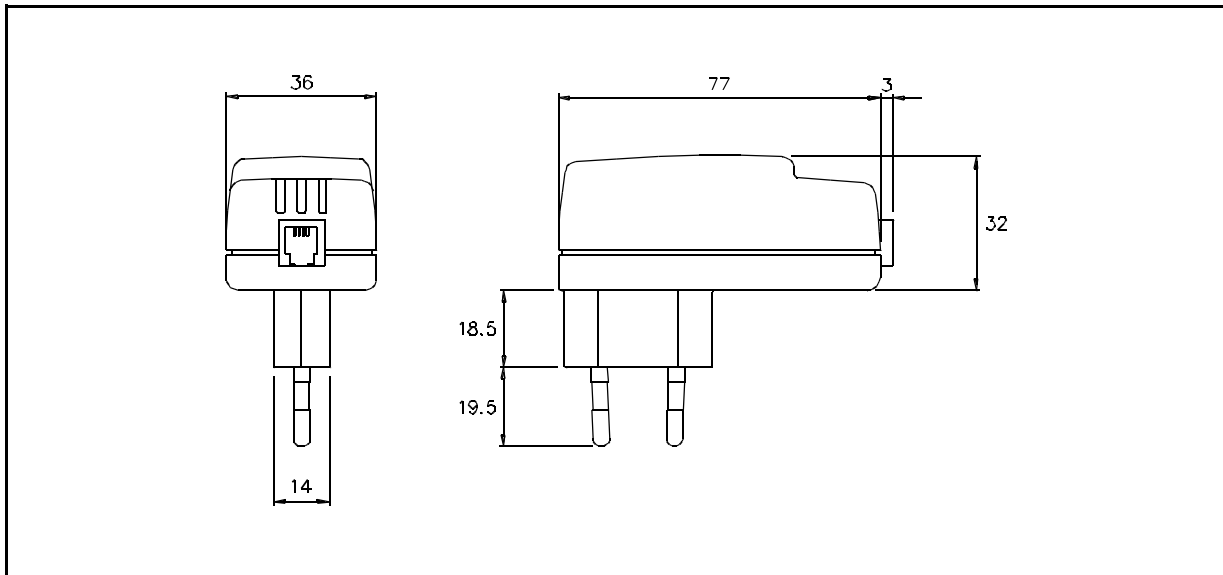
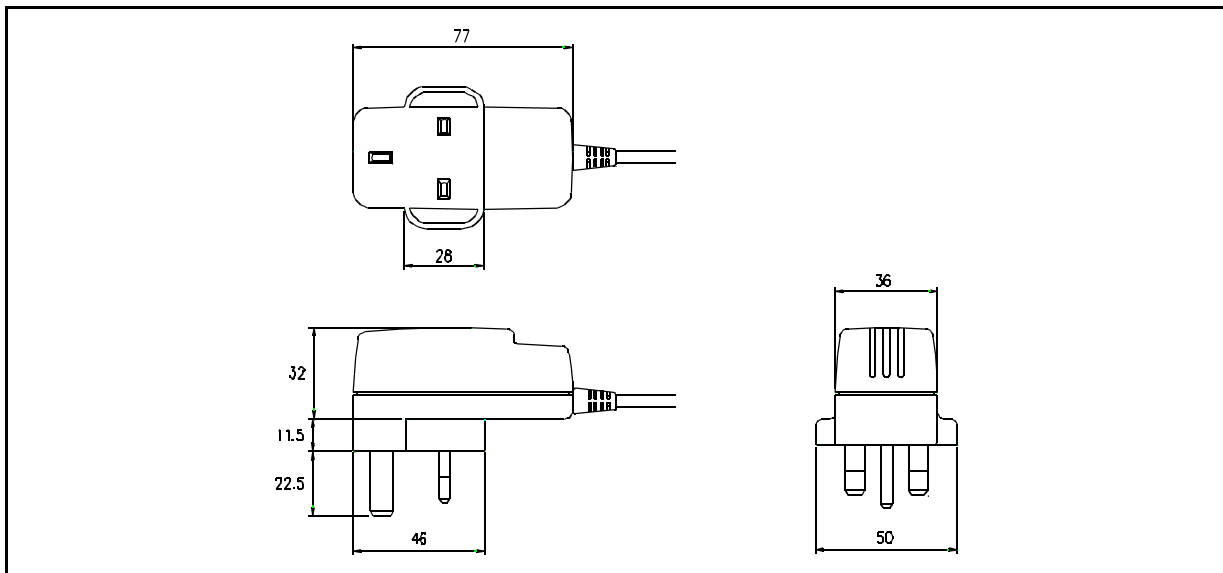
- EN60950
- UL1950
- ETS300-342-1
- FCC part 15 (specific version upon request)

ELECTRICAL CHARACTERISTICS (Tamb=25°C, unless otherwise specified.)

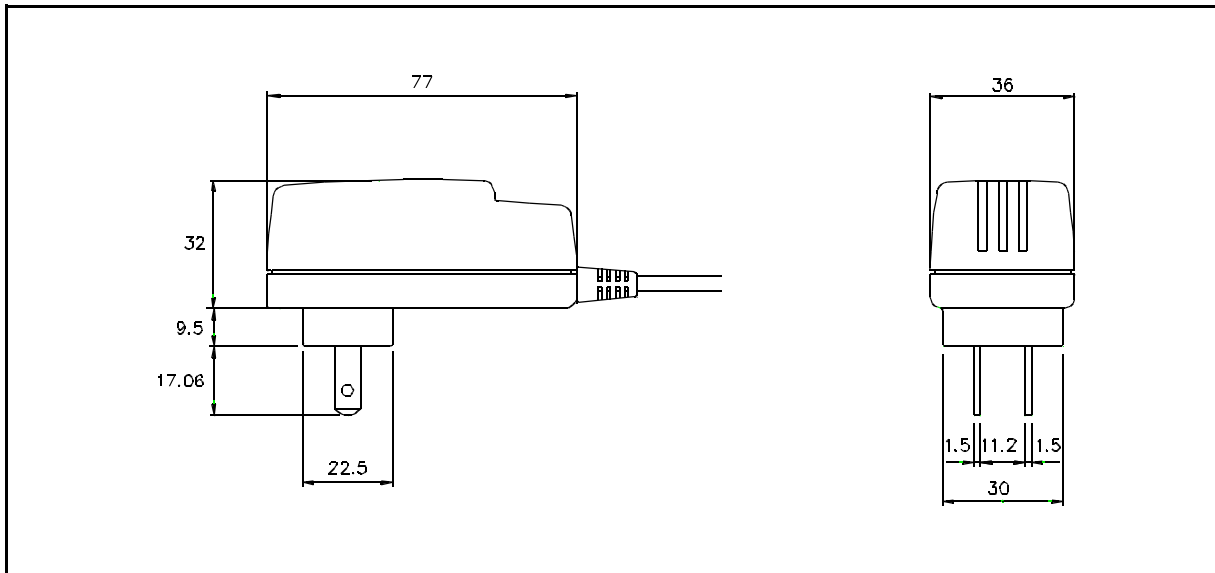
Symbol	Parameter	Test Condition	Min.	Typ.	Max.	Unit
Vi	Input Voltage		90		264	Vrms
Vo	Output Voltage limit	No load	9.5	10.0	10.5	V
Io	Output Current limit	1 < Vout < Vo limit	740	800	860	mA
Vor	Output Ripple	Io=Ilimit Vbatt=4V			100	mVpp
Vis	Isolation voltage	Input to output, t=60s (EN60950)	3000			Vrms
Top	Operating Temperature Ambient		0		50	°C
Tstg	Storage Temperature Range		-20		70	°C

TYPICAL OUTPUT CHARACTERISTIC



MECHANICAL DATA EURO plug version (dimensions in mm), GHIBLI Housing**MECHANICAL DATA UK plug version (dimensions in mm) ROBIN Housing DC CORD only**

MECHANICAL DATA US plug version (dimensions in mm) ROBIN Housing DC CORD only



Fast Chargers SELECTION chart

PARAMETER	GHIBLI	MISTRAL	JOSEPH
INPUT VOLTAGE RANGE - Vrms	90 - 264	90 - 264	90 - 264
MAX OUTPUT POWER - Watt	8	8	4
OUTPUT VOLTAGE ACCURACY	+/- 5%	+/- 5%	+/- 10%
OUTPUT CURRENT ACCURACY	+/- 8%	+/- 12%	+/- 20%
OUTPUT VOLTAGE RIPPLE - mVpp	< 100	< 100	< 100
ISOLATION VOLTAGE- Vrms	> 3000	> 3000	> 3000
OPERATING AMBIENT TEMPERATURE - °C	0 - 50	0 - 50	0 - 50
STORAGE TEMPERATURE RANGE - °C	-20 +70	-20 +70	-20 +70
AC INPUT FUSE PROTECTION	YES	YES	YES
DC OUTPUT SHORT CIRCUIT PROTECTION	YES	YES	YES
WEIGHT (without cable) - Grams	70	70	70

Information furnished is believed to be accurate and reliable. However, STMicroelectronics assumes no responsibility for the consequences of use of such information nor for any infringement of patents or other rights of third parties which may result from its use. No license is granted by implication or otherwise under any patent or patent rights of STMicroelectronics. Specification mentioned in this publication are subject to change without notice. This publication supersedes and replaces all information previously supplied. STMicroelectronics products are not authorized for use as critical components in life support devices or systems without express written approval of STMicroelectronics.

The ST logo is a registered trademark of STMicroelectronics

© 2000 STMicroelectronics – Printed in Italy – All Rights Reserved

STMicroelectronics GROUP OF COMPANIES

Australia - Brazil - China - Finland - France - Germany - Hong Kong - India - Italy - Japan - Malaysia - Malta - Morocco - Singapore - Spain - Sweden - Switzerland - United Kingdom - U.S.A.

<http://www.st.com>