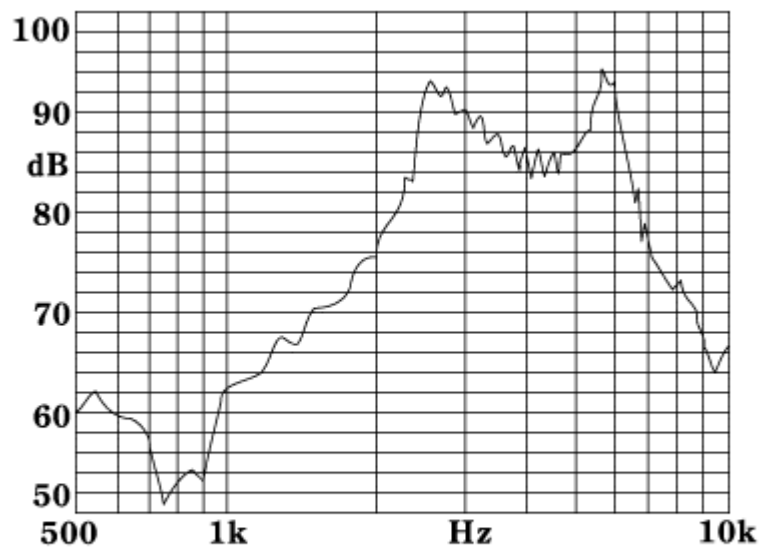
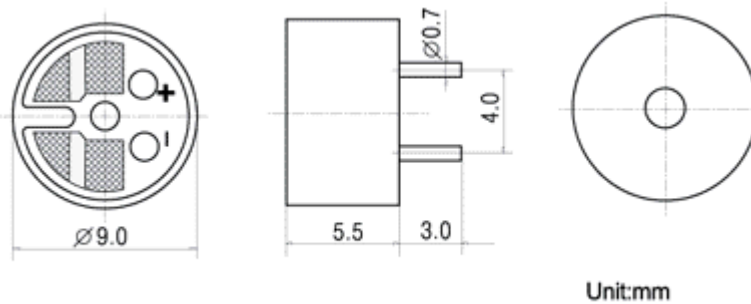




Type	BMT-09B
Rated Voltage(V)	3
Operating Voltage(V)	2~6
◆Rated Current(mA)	≤80
Coil Resistance(Ω)	25±4
◇Coil Impedance(Ω)	45
◆Sound Output at 10cm(dB)	≥82
Resonant Frequency(Hz)	2731
Operating Temperature($^{\circ}$ C)	-25~+70
Storage Temperature($^{\circ}$ C)	-40~+80
Weight(g)	1

◆ Value applying rated voltage(2731Hz, 1/2 duty, square wave)

◇ Value applying(2731Hz, sine wave, measuring current 60 μ A)



Applied voltage: 1.5V, 1/2 duty, square wave
Distance for measurement: 10cm