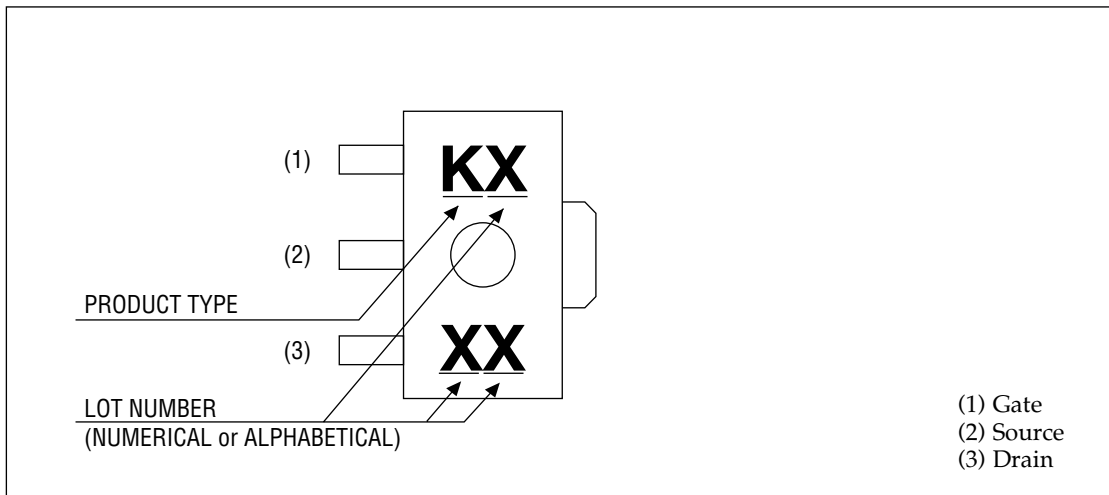
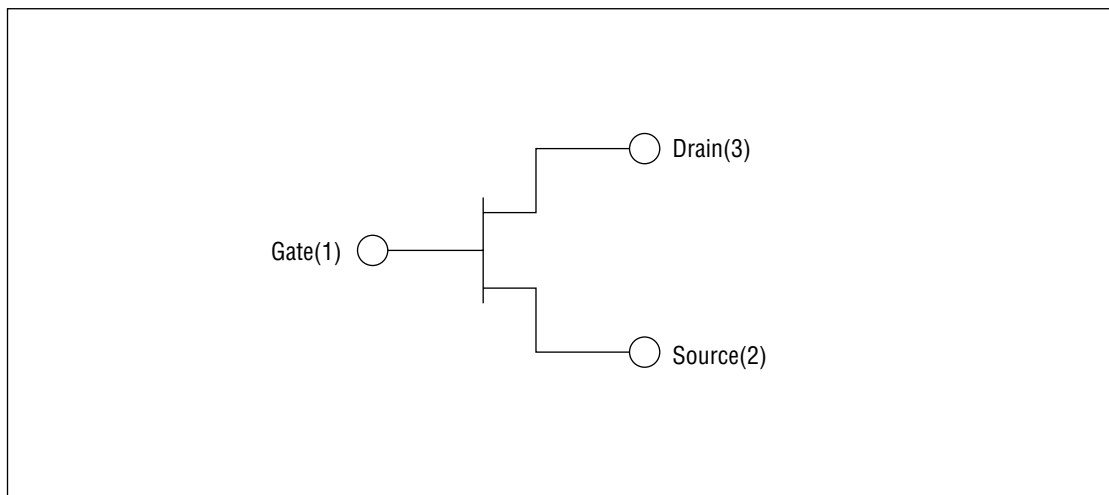


MARKING



CIRCUIT



ABSOLUTE MAXIMUM RATINGS

Item	Symbol	Condition	Unit	Min.	Max.
Drain-source voltage	V_{DS}	$T_a = 25^\circ\text{C}$	V	—	10
Gate-source voltage	V_{GS}	$T_a = 25^\circ\text{C}$	V	-6.0	0.4
Drain current	I_{DS}	$T_a = 25^\circ\text{C}$	A	—	3.0
Total power dissipation	P_{tot}	$T_a = T_c = 25^\circ\text{C}$	W	—	5.0
Channel temperature	T_{ch}	—	$^\circ\text{C}$	—	150
Storage temperature	T_{stg}	—	$^\circ\text{C}$	-45	125

ELECTRICAL CHARACTERISTICS

(Ta = 25°C)

Item	Symbol	Condition	Unit	Min.	Typ.	Max.
Gate-source leakage current	I_{GSS}	$V_{GS} = -6\text{ V}$	μA	—	—	10
Gate-drain Breakdown Voltage	V_{GDO}	$V_{GD} = -1.5\text{ mA}$	V	22	—	—
Drain-source cut-off current	$I_{DS(off)}$	$V_{DS} = 10\text{ V}, V_{GS} = -6\text{ V}$	mA	—	—	1.5
Drain current	I_{DSS}	$V_{DS} = 1.5\text{ V}, V_{GS} = 0\text{ V}$	A	2.0	—	—
Gate bias Q point	V_{GSQ}	$V_{DS} = 5.8\text{ V}, I_{DSQ} = 175\text{ mA}$	V	-3.35	—	-2.45
Output power	P_O	(*1)	dBm	31.5	—	—
Drain efficiency	η_D	(*1)	%	70	—	—
Drain efficiency 2	η_{D2}	(*2)	%	47	—	—
Thermal resistance	R_{th}	Channel to case	$^\circ\text{C/W}$	—	14	—

*1 Condition: $V_{DS} = 5.8\text{ V}, I_{DSQ} = 175\text{ mA}, P_{IN} = 20\text{ dBm}, f = 850\text{ MHz}$ *2 Condition: $V_{DS} = 5.8\text{ V}, I_{DSQ} = 175\text{ mA}, P_O = 29\text{ dBm}, f = 850\text{ MHz}$

RF CHARACTERISTICS

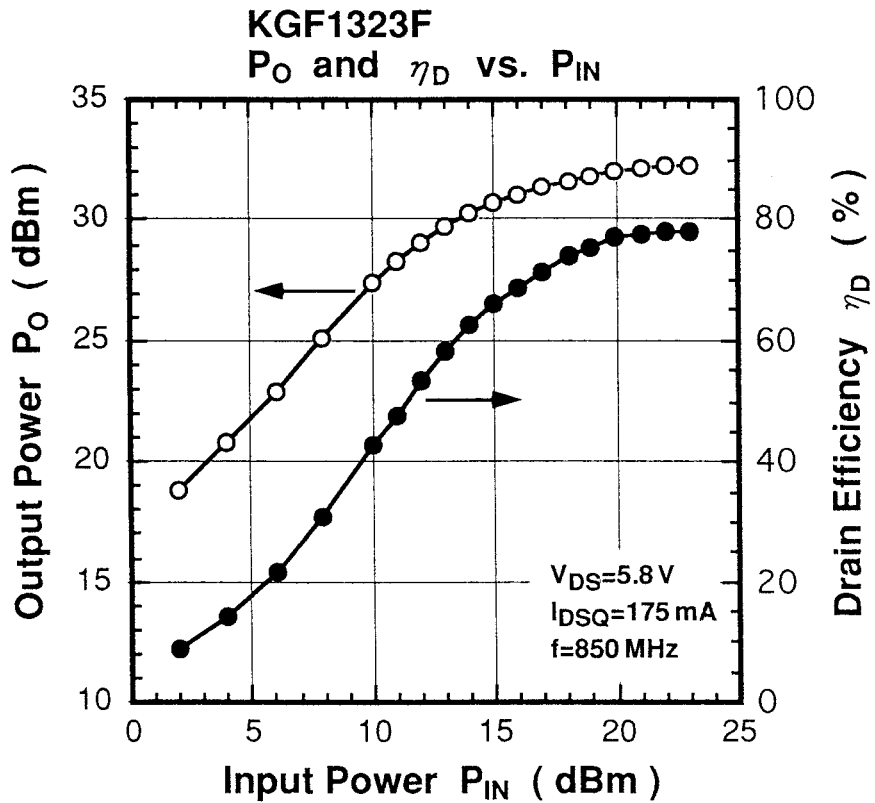
Matching conditions

Gamma S (Source impedance) : $4.64 + j9.67 (\Omega)$

Gamma L (Load impedance) : $11.69 + j8.20 (\Omega)$

Bias conditions

$V_{DS}=5.8V, I_{DSQ}=175mA, f=850MHz$



Typical S Parameters

 $V_{DS} = 5.8 \text{ V}$, $I_{DS} = 175 \text{ mA}$

Freq(MHz)	MAG(S ₁₁)	ANG(S ₁₁)	MAG(S ₂₁)	ANG(S ₂₁)	MAG(S ₁₂)	ANG(S ₁₂)	MAG(S ₂₂)	ANG(S ₂₂)
500.0	0.918	-152.58	4.044	92.67	0.037	18.00	0.635	-176.75
600.0	0.911	-158.56	3.392	88.12	0.039	14.56	0.643	-178.52
700.0	0.909	-163.14	2.943	83.68	0.039	13.30	0.645	-179.76
800.0	0.907	-166.95	2.589	79.92	0.039	12.33	0.646	178.79
900.0	0.908	-170.01	2.314	76.67	0.040	12.22	0.650	177.66
1000.0	0.906	-172.61	2.074	73.48	0.040	11.79	0.651	176.63
1100.0	0.905	-174.70	1.904	70.19	0.040	10.71	0.653	175.74
1200.0	0.907	-177.12	1.739	67.52	0.041	10.57	0.656	174.75
1300.0	0.904	-178.89	1.608	64.93	0.041	9.87	0.658	174.03
1400.0	0.901	178.99	1.513	61.44	0.042	10.46	0.659	173.25
1500.0	0.904	177.88	1.390	58.93	0.042	9.76	0.657	171.43
1600.0	0.901	176.00	1.315	56.03	0.043	9.28	0.663	171.43
1700.0	0.902	174.31	1.227	53.45	0.043	9.51	0.664	170.68
1800.0	0.899	173.54	1.172	50.80	0.044	10.06	0.660	169.99
1900.0	0.899	172.04	1.116	48.01	0.044	8.80	0.662	169.16
2000.0	0.896	170.57	1.062	45.79	0.045	8.22	0.662	168.23
2100.0	0.900	169.20	1.008	42.67	0.045	8.42	0.670	167.54
2200.0	0.899	167.90	0.968	40.33	0.045	8.69	0.665	167.10
2300.0	0.890	166.39	0.923	37.86	0.046	7.98	0.672	165.69
2400.0	0.893	165.43	0.895	35.74	0.046	7.80	0.666	165.44
2500.0	0.890	164.14	0.851	33.31	0.048	7.43	0.664	164.17
2600.0	0.886	162.85	0.827	31.00	0.048	7.74	0.670	163.42
2700.0	0.882	161.51	0.798	28.17	0.049	7.31	0.668	162.98
2800.0	0.879	160.27	0.764	25.77	0.051	6.78	0.667	161.72
2900.0	0.879	159.04	0.741	23.19	0.052	5.58	0.667	160.96
3000.0	0.874	158.24	0.718	20.45	0.052	4.92	0.667	160.39

Typical S Parameters

