

GL6962/GL6962A

Low Voltage Universal Speech Network

Description

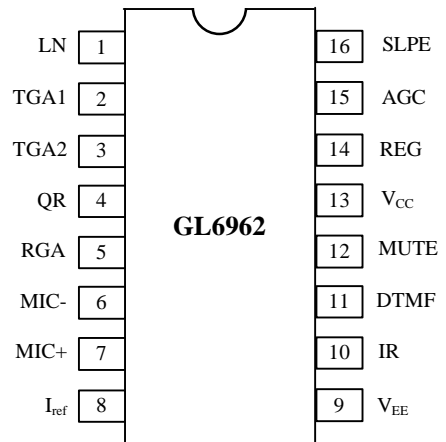
The GL6962 and GL6962A are bipolar integrated circuits that perform all speech and line interface functions required in fully electronic telephone sets. They perform electronic switching between dialing and speech. The ICs operate at line voltage down to 1.6V DC (with reduced performance) to facilitate the use of more telephone sets connected in parallel.

Features

- Low DC line voltage: operates down to 1.6V (excluding polarity guard)
- Voltage regulator with adjustable static resistance
- Provides a supply for external circuits
- Symmetrical high-impedance inputs ($64k\Omega$) for dynamic, magnetic or piezo-electric microphones
- Asymmetrical high-impedance inputs ($32k\Omega$) for electric microphones
- DTMF signal input with confidence tone
- MUTE input for pulse or DTMF dialing (GL6962)
- MUTE input for pulse or DTMF dialing (GL6962A)
- Receiving amplifier for dynamic, magnetic or piezo-electric earpieces.
- Large gain setting ranges on microphone and earpiece amplifiers.
- Line loss compensation (line current dependent) for microphone and earpiece amplifiers
- Gain control curve adaptable to exchange supply
- DC line voltage adjustment facility
- Packaged in 16 DIP/SOP.

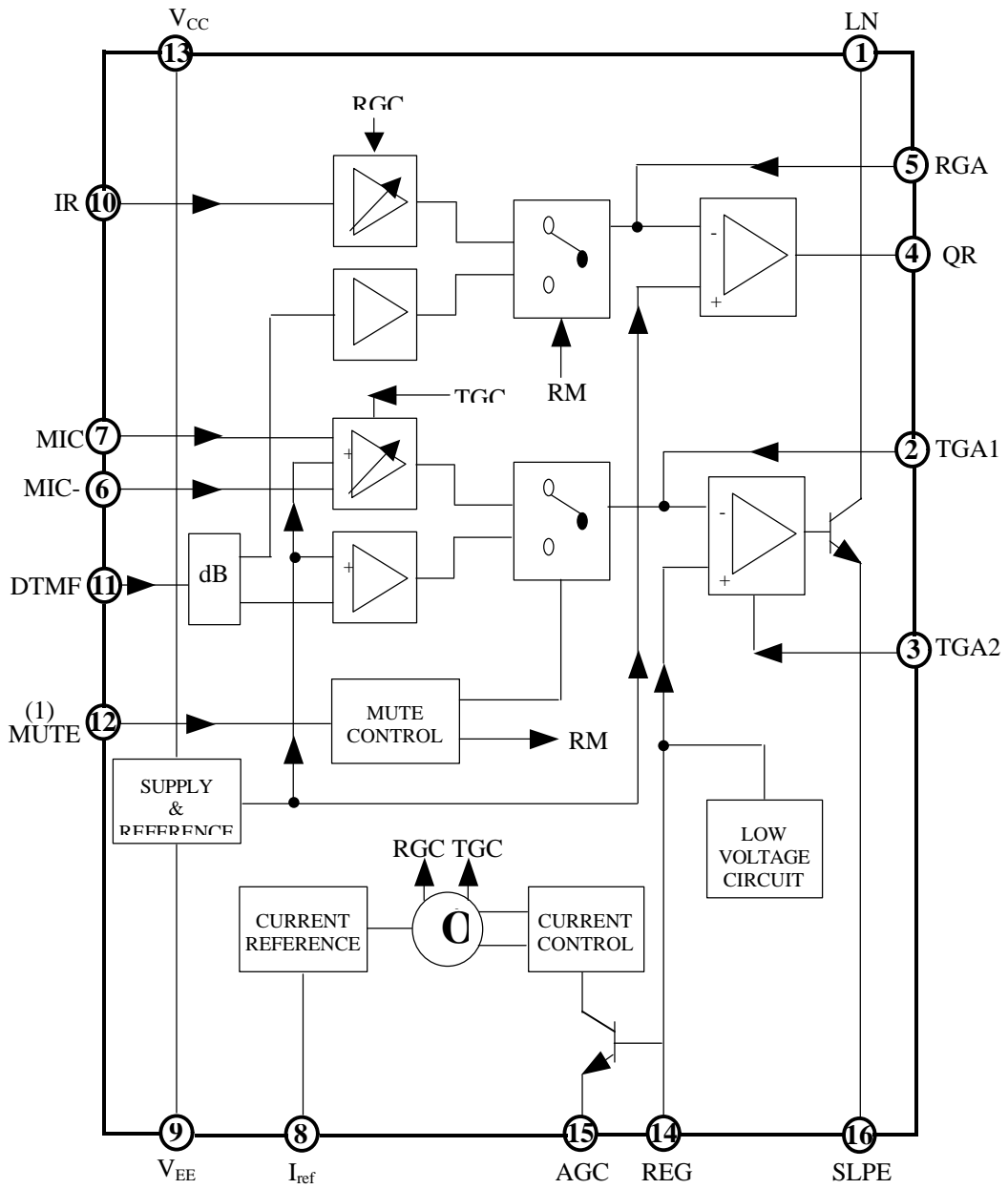
PIN Configuration

(TOP View)



* Pin 12 is active LOW($\overline{\text{MUTE}}$) for GL6962A

Block Diagram



* Pin 12 is active LOW ($\overline{\text{MUTE}}$) for GL6962A.

Pin Description

PIN NUMBER	SYMBOL	DESCRIPTION
1	LN	Positive line terminal
2	TGA1	Gain adjustment: transmitting amplifier
3	TGA2	Gain adjustment: transmitting amplifier
4	QR	Non-inverting output: receiving amplifier
5	RGA	Gain adjustment: receiving amplifier
6	MIC-	Inverting microphone input
7	MIC+	Non-Inverting microphone input
8	I_{ref}	Current stabilizer
9	V_{EE}	Negative line terminal
10	IR	Receiving amplifier input
11	DTMF	Dual-tone multi-frequency input
12	MUTE	Mute input ⁽¹⁾
13	V_{CC}	Positive decoupling
14	REG	Voltage regulator decoupling
15	AGC	Automatic gain control input
16	SLPE	Slope (DC resistance) adjustment.

(1) Pin 12 is active LOW ($\overline{\text{MUTE}}$) for GL6962A.

Absolute Maximum Ratings

SYMBOL	PARAMETER	MIN	MAX	UNIT
V_{LN}	Positive continuous line voltage	-	12	V
I_{line}	Line Current R9 = 20 ; Note1 GL6962 ; GL6962A	-	140	mA
V_i	Input voltage on all other pins Positive input voltage Negative input voltage	- -	$V_{CC}+0.7$ -0.7	V V
P_{tot}	Total power dissipation R9 = 20 ; Note2 GL6962 ; GL6962A	-	666	mW
T_{amb}	Operating ambient temperature	-25	+75	°C
T_{stg}	Storage temperature	-40	+125	°C

Maximum Ratings are those values beyond which damage to the device may occur.
Functional Operation should be restricted to the limits in the Electrical Characteristics tables or pin Descriptions section

Notes to the Absolute Maximum Ratings

1. Mostly dependent on the maximum required T_{amb} and on the voltage between LN and SLPE.
2. Calculated for the maximum ambient temperature specified $T_{amb} = 75^{\circ}\text{C}$ and maximum junction temperature of 125°C

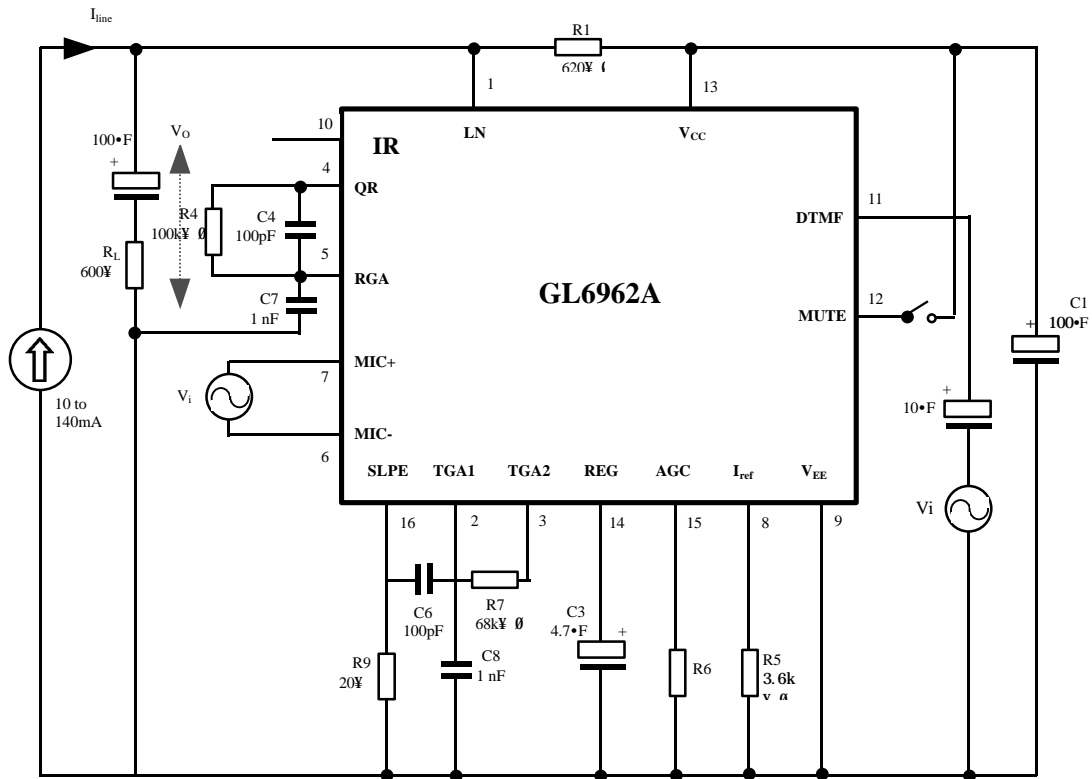
Electrical Characteristics
 $I_{line} = 11$ to 140 mA, $V_{EE} = 0V$, $f = 800Hz$; $T_{amb} = 25$ °C; unless otherwise specified

SYMBOL	PARAMETER	CONDITION	MIN	TYP	MAX	UNIT
Supplies LN and VCC (Pin 1 and 13)						
V_{LN}	Voltage drop over circuit Between LN and V_{EE}	MIC inputs open circuit				
		$I_{line} = 1mA$	-	1.6	-	V
		$I_{line} = 4mA$	-	1.9	-	V
		$I_{line} = 15mA$	3.55	4.0	4.25	V
		$I_{line} = 100mA$	4.9	5.7	6.5	V
		$I_{line} = 140mA$	-	-	7.5	V
V_{LN}	Voltage drop over circuit between LN and V_{EE} with external resistor R_{VA}	$I_{line} = 15mA$ $R_{VA}(LN \text{ to } REG)=68k\Omega$	-	3.5	-	V
		$R_{VA}(REG \text{ to } SLPE)=39k\Omega$	-	4.5	-	V
I_{CC}	Supply current	$V_{CC} = 2.8V$	-	0.9	1.35	mA
V_{CC}	Supply voltage available for peripheral circuitry GL6962	$I_{line} = 15mA$				
		MUTE = HIGH IP = 1.2mA	2.2	2.7	-	V
		IP = 0mA	-	3.4	-	V
		MUTE = LOW IP = 1.2mA	2.2	2.7	-	V
	GL6962A	IP = 0mA	-	3.4	-	V
Microphone inputs MIC- and MIC+ (pin 6 and 7)						
$ Z_i $	Input impedance Differential Single-ended	Between MIC- and MIC+	-	64	-	$k\Omega$
		MIC- or MIC+ to V_{EE}	-	34	-	$k\Omega$
CMRR	Common mode rejection ratio		-	82	-	dB
G_V	Voltage gain MIC+ or MIC- to LN	$I_{line} = 15mA$ $R7 = 68k\Omega$	50.5	52.0	53.5	dB
ΔG_{vf}	Gain variation with frequency referred to 800Hz	$f = 300$ and 3400 Hz	-	± 0.2	-	dB

SYMBOL	PARAMETER	CONDITION	MIN	TYP	MAX	UNIT
DTMF input (pin 11)						
$ Z_i $	Input impedance		-	22	-	k Ω
G_V	Voltage gain from DTMF to LN	$I_{line} = 15\text{mA}$ $R7 = 68\text{k}\Omega$	24.0	25.5	27.0	dB
ΔG_{vf}	Gain variation with frequency referred to 800 Hz	$f = 300$ and 3400 Hz	-	± 0.2	-	dB
Gain adjustment input TGA1 and TGA2 (pin 2 and 3)						
ΔG_V	Transmitting amplifier gain variation by adjustment of R7 between TGA1 and TGA2		-8	-	0	dB
Sending adjustment output LN (pin 1)						
$V_{LN(RMS)}$	Output voltage (RMS value)	THD = 10% $I_{line} = 4\text{mA}$ $I_{line} = 15\text{mA}$	- 1.7	0.8 2.3	- -	V V
$V_{no(RMS)}$	Noise output voltage (RMS value)	$I_{line} = 15\text{mA}$ $R7 = 68\text{k}\Omega$ 200 Ω between MIC- and MIC+; psophometrically weighted	-	-69	-	dBmp
Receiving amplifier input IR (pin 10)						
$ Z_i $	Input impedance		-	22	-	k Ω
Receiving amplifier output QR (pin 4)						
$ Z_o $	Output impedance		-	4	-	Ω
G_V	Voltage gain from IR to QR	$I_{line} = 15\text{mA}$ $R_L = 300\Omega$ (from pin 9 to pin4)	29.5	31.0	32.5	dB
ΔG_{vf}	Gain variation with frequency referred to 800Hz	$f = 300$ and 3400 Hz	-	± 0.2	-	dB

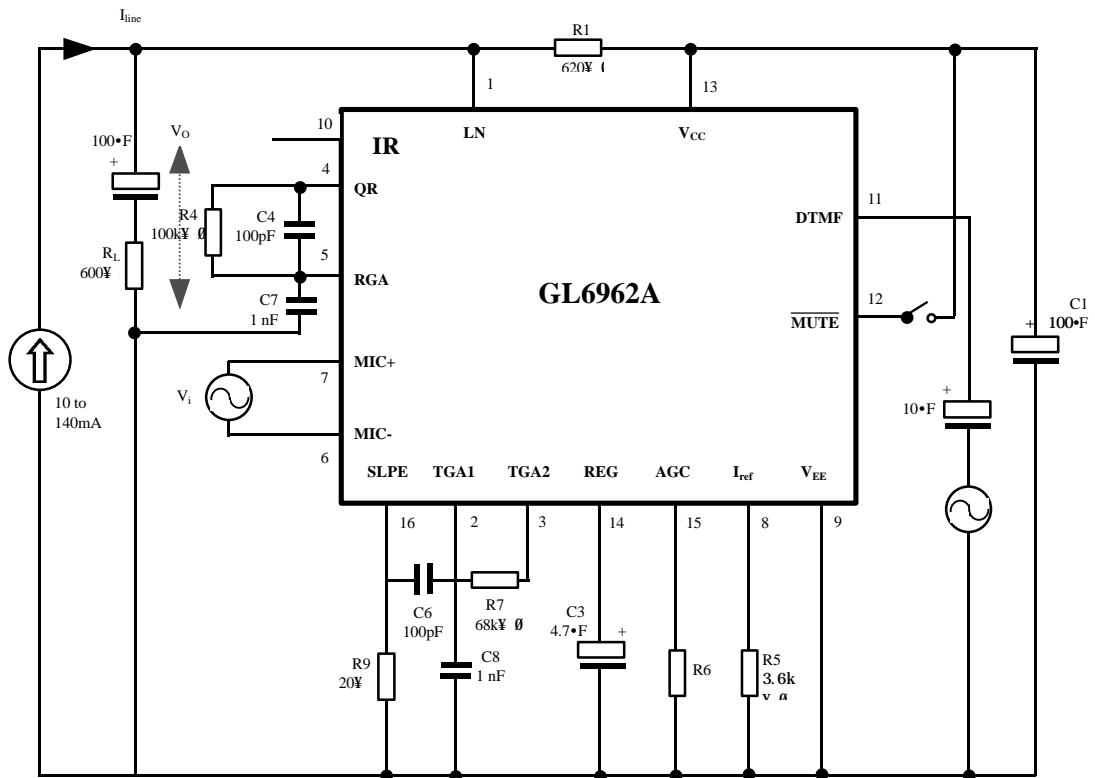
SYMBOL	PARAMETER	CONDITION	MIN	TYP	MAX	UNIT
$V_{o(RMS)}$	Output voltage(RMS value)	THD = 2 % sinewave drive ; R4 = 100k Ω ; $I_{line} = 15mA ; I_p = 0mA ;$ R _L = 150 Ω ; R _L = 150 Ω ;	0.22 0.3	0.33 0.48	- -	V V
$V_{o(RMS)}$	Output voltage(RMS value)	THD = 10% ; R4 = 100 k Ω ; R _L = 150 Ω ; $I_{line} = 4mA$	-	15	-	mV
$V_{no(RMS)}$	Noise output voltage (RMS value)	$I_{line} = 15mA ;$ R4 =100 k Ω ; IR open-circuit psophometrically weighted R _L =300 Ω ;	-	50	-	•V
Gain adjustment input RGA (pin 5)						
ΔG_v	Receiving amplifier gain Variation by adjustment of R4 between RGA and QR		-11	-	0	dB
MUTE input (pin 12)						
V_{IH}	HIGH level input voltage		1.5	-	V_{CC}	V
V_{IL}	LOW level input voltage		-	-	0.3	V
I_{MUTE}	Input current		-	8	15	μA
Reduction of gain						
G_v	Voltage gain from DTMF to QR GL6962 GL6962A	R4 =100 k Ω ; R _L = 300 Ω ; MUTE = HIGH MUTE = LOW	- -	-19 -19	- -	dB dB
Automatic gain control input AGC (pin 15)						
ΔG_v	Controlling the gain from IR to QR and the gain from MIC+, MIC- to LN Gain control range	R6 =100 K Ω ; (between AGC and V_{EE}) $I_{line} = 70mA$	-	-5.8	-	dB

Test Circuit



For measuring gain from MIC+ and MIC-, the MUTE input should be LOW or open-circuit.
 For measuring the DTMF input, the MUTE input should be HIGH.
 Inputs not being tested should be open-circuit.

Fig. 1 Test circuit for defining GL6962 voltage gain of MIC+, MIC- and DTMF inputs.
 (Voltage gain is defined as $G_v = 20 \log |V_o/V_i|$)



For measuring gain from MIC+ and MIC-, the $\overline{\text{MUTE}}$ input should be HIGH.
 For measuring the DTMF input, the $\overline{\text{MUTE}}$ input should be LOW or open-circuit.
 Inputs not being tested should be open-circuit.

Fig. 2 Test circuit for defining GL6962A voltage gain of MIC+, MIC- and DTMF inputs.
 (Voltage gain is defined as $G_V = 20 \log |V_o/V_i|$)

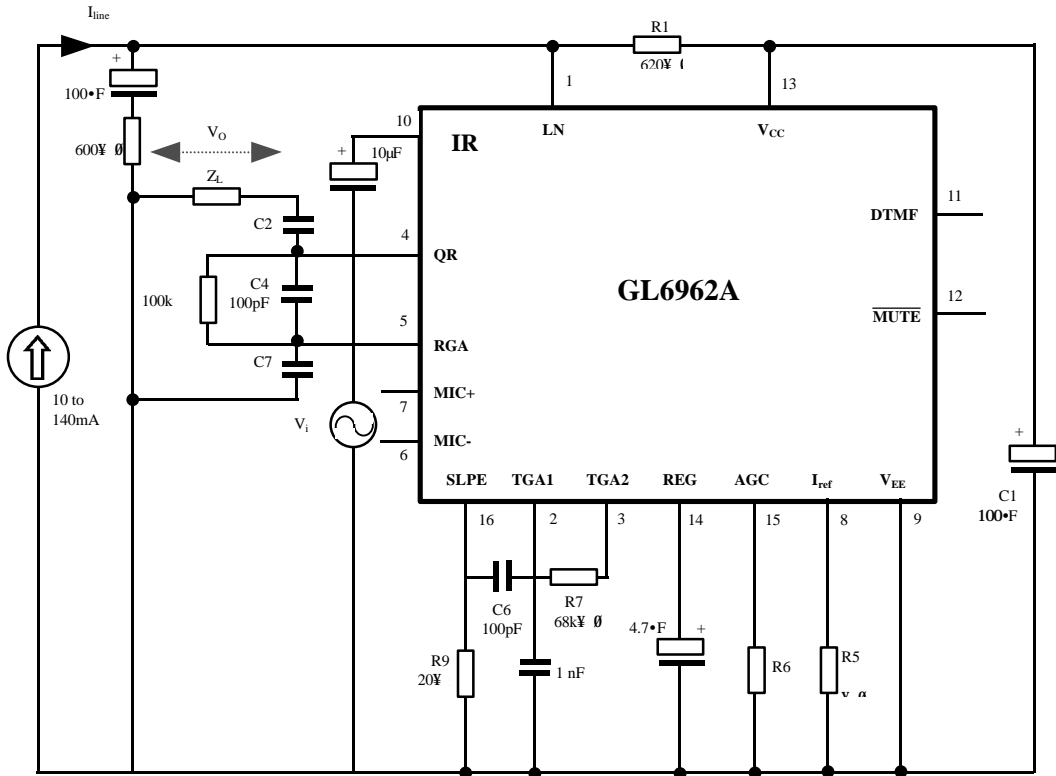
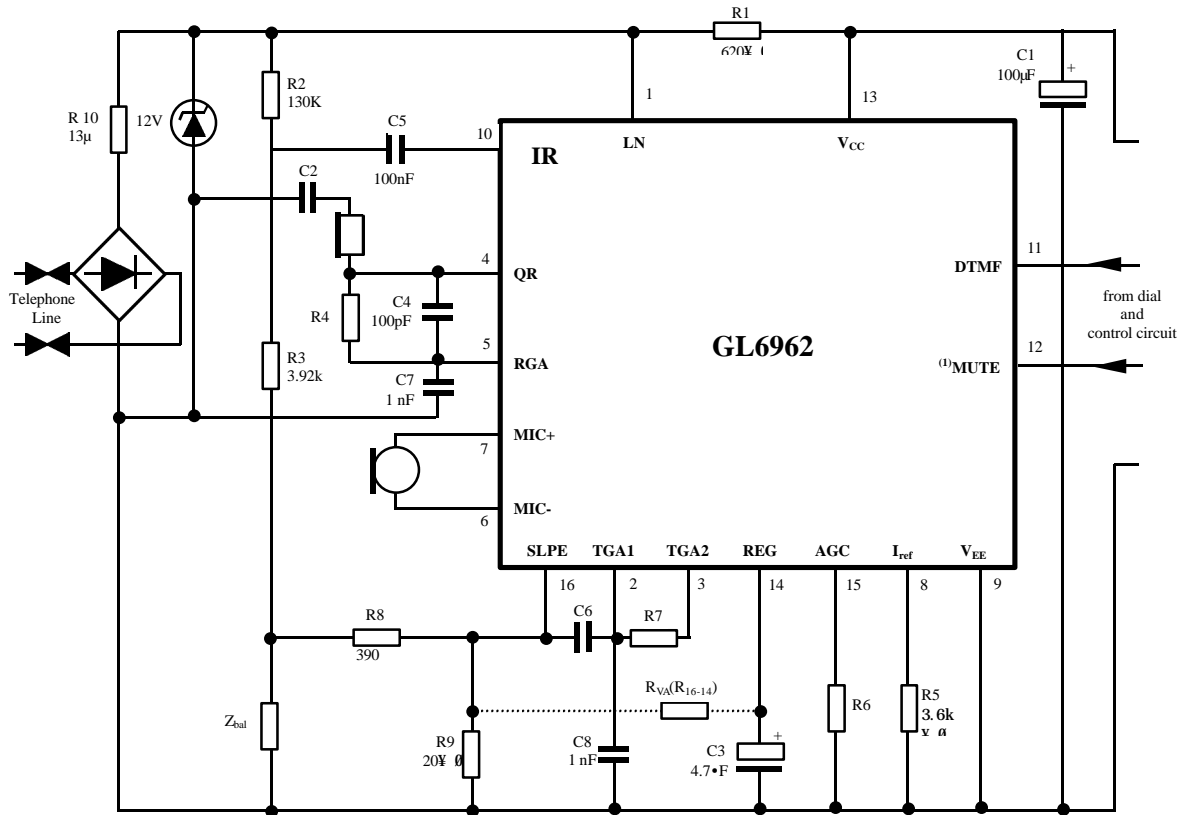


Fig. 4 Test circuit for defining GL6962A voltage gain of receiving amplifier.
 (Voltage gain is defined as $G_V = 20 \log |V_o/V_i|$)

Application Circuit



(1) Pin 12 is active LOW ($\overline{\text{MUTE}}$) for GL6962A.

Fig. 5 Typical application of GL6962, shown there with piezo-electric earpiece and DTMF dialing. (The diode bridge, the zener diode and R10 limit current into, and the voltage across, the circuit during line transients. A different protection requirement is required for pulse dialing or register recall.)