

# Dupline® Field- and Installationbus Accessories Mounting Material



## Socket type D 411

11- pole socket for devices with spade plug (4.8 x 0.5 mm).

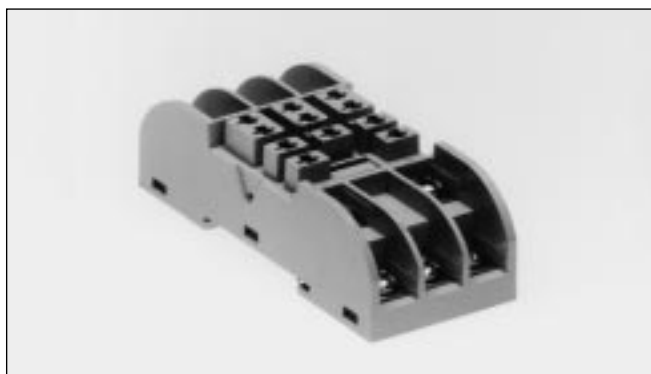
**Rating**  
**Isolation group**  
**Material**  
**Colour**  
**Screw terminals**  
**Contact spring**  
**Retaining spring**  
**Mounting holes**  
**DIN-rail mounting**  
**Approvals**

10 A/250 VAC (IEC 60664)  
C 380 VAC (VDE 0110)  
Noryl SE 1  
Grey  
11 pcs. M4 screws  
Tin-plated brass  
Stainless steel  
2 x  $\varnothing$  3.0  
EN 50022  
UL, CSA

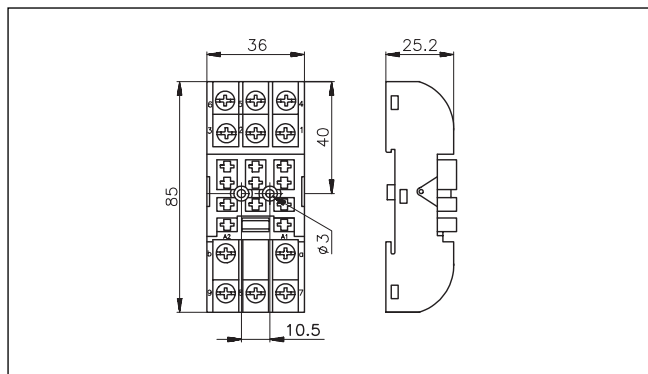
## Accessories for socket type D 411

Text markers  
Socket cover  
Hold down spring  
DIN-rail

e.g. Weidmüller type SG10  
BB 5  
HF  
FMD 411



D 411



Dimensions in [mm]

## Socket cover type BB 5

Cover for socket type D 411 for covering the front screw connections of the socket. The holes ( $\varnothing$  5 mm) on top of

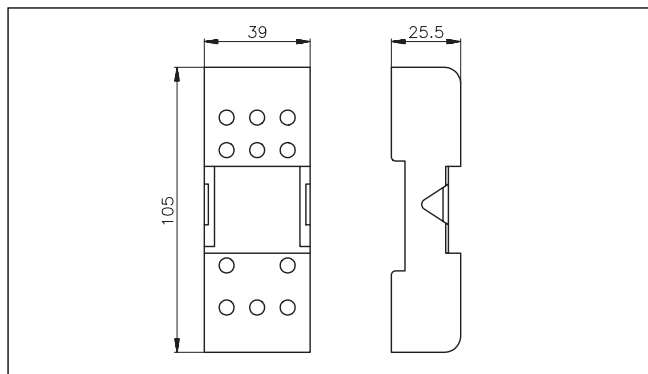
the terminals prevent from accidental touching, but allow measurements without removing the socket cover.

**Material**  
**Colour**

Noryl SE1  
Grey



BB 5



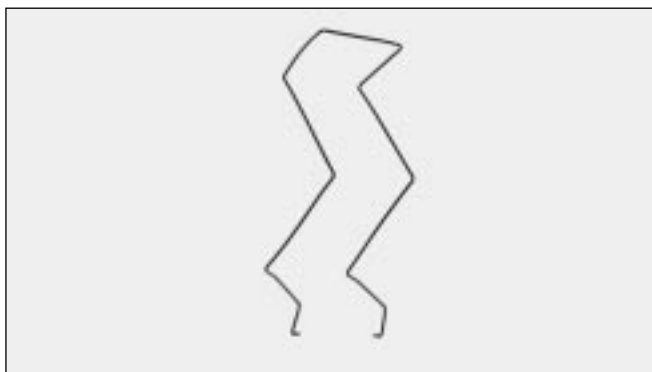
Dimensions in [mm]

## Mounting Material (cont.)

**Hold down spring type HF** the D-housing in places with vibrations.  
to be used with socket type D 411 for additional fixing of

**Material**

Stainless steel



HF



HF mounted on module

### DIN-rail type FMD 411

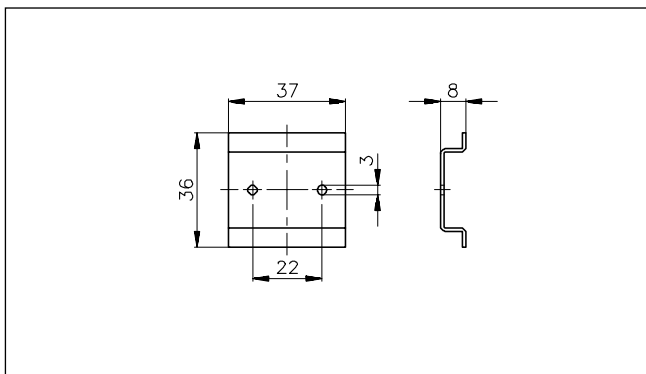
Mounting rail for socket type D 411 or H4 housing type Dupline modules, which are snapped on FMD 411.

**Type**  
**Mounting holes**  
**Material**

EN 50022  
2 x Ø3.0  
Electroplated steel



FMD 411



Dimensions in [mm]

### Front mounting bezel FRS 2

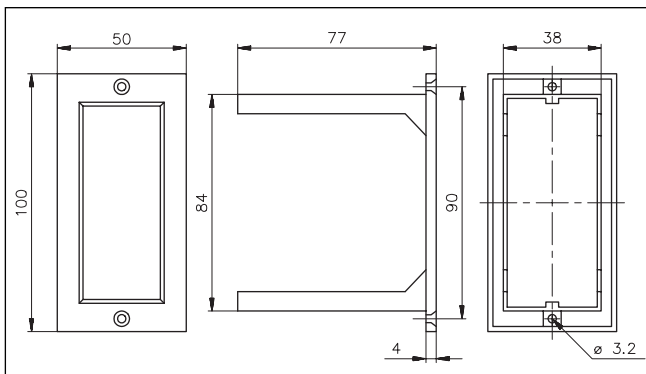
For front panel mounting of D-housing Dupline modules. Front mounting cover and D-housing snap together.

**Material**  
**Colour**  
**Panel cutout**

Glass-reinforced Noryl SE1  
Grey  
84.5 x 38.5 mm



FRS 2



Dimensions in [mm]