

Specification Status: RELEASED

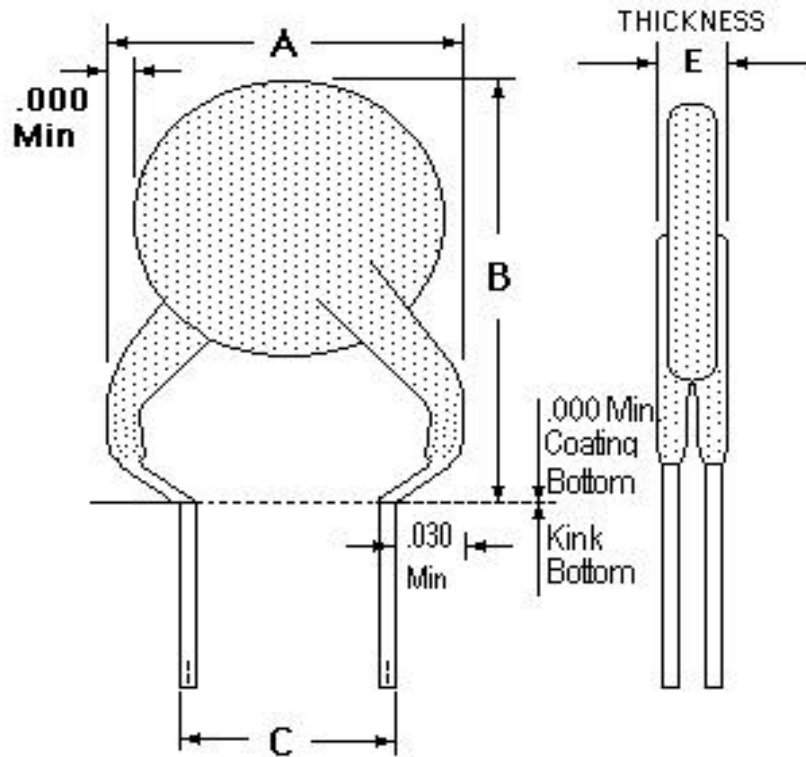
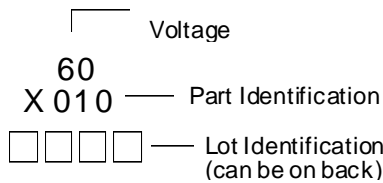
Electrical Rating

Voltage: 60V MAX
Current: 40A MAX

Insulating Material:
 Cured, Flame Retarded Epoxy Polymer
 meets UL94 V-0 Requirements

Lead Material:
 24 AWG Solder coated nickel-copper alloy

Marking:



CENTER TO CENTER
 NOTE: BOTTOM OF COATING NOT TO GO BELOW BOTTOM OF KINK

TABLE I. DIMENSIONS:

	A		B		C		D		E		F
	MIN	MAX	MIN	MAX	MIN	MAX	MIN	MAX	MIN	MAX	TYP
mm:	--	8.9	--	11.2	4.3	5.8	7.6	--	--	3.0	--
in*:	--	(0.35)	--	(0.44)	(0.17)	(0.23)	(0.30)	--	--	(0.12)	--

*Rounded off approximation

TABLE II. PERFORMANCE RATINGS:

I _H RATED CURRENT	CURRENT RATINGS						TIME TO TRIP	INITIAL RESISTANCE VALUES		ONE-HOUR POST-TRIP RESISTANCE STANDARD TRIP	NOMINAL TRIPPED STATE POWER DISSIPATION
	AMPERES AT 0°C		AMPERES AT 20°C		AMPERES AT 60°C			OHMS AT 20°C			
	HOLD	TRIP	HOLD	TRIP	HOLD	TRIP		MIN	MAX		
.10	.11	.22	.10	.20	.07	.14	4.0	2.50	4.50	7.5	.38

Recognitions: UL, CSA and TUV approved.
 Approved by UL as a current limiting impedance, per the 1996 NEC, Tables 11 (c) and 11 (b).
 Reference Documents: PS300
 Precedence: This specification takes precedence over documents referenced herein.
 Effectivity: Reference documents shall be the issue in effect on the date of invitation for bid.
 CAUTION: Operation beyond the rated voltage or current may result in rupture, electrical arcing or flame.