



RoHS Conforming

Features

- High reliability, high temperature withstanding ceramic case
- Rectangular shape allows easy pick and placement
- Small & low profile
- Reflow solderable
- Excellent Solderability(Nickel barrier+Au flush termination)

How to Order

PBRC 15.00 G R 10 Y 0AB
① ② ③ ④ ⑤ ⑥ ⑦

- ① Series (PBRC: Consumer)
- ② Frequency (MHz)
- ③ Type(G,L)
- ④ Packing _ Bulk (Null)
R Reel

⑤ Frequency Tolerance at 25°C

10	±0.1%	20	±0.2%
30	±0.3%	40	±0.4%
50	±0.5%	70	±0.7%

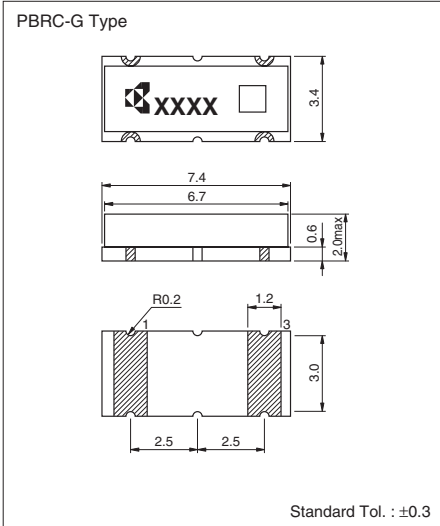
⑥ Operating temperature

X	-40 / 85°C	Y	-40 / 125°C
Z	-40 / 150°C		

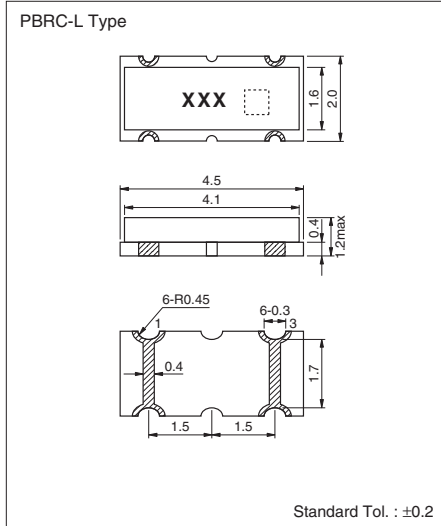
⑦ Unique code

Dimensions

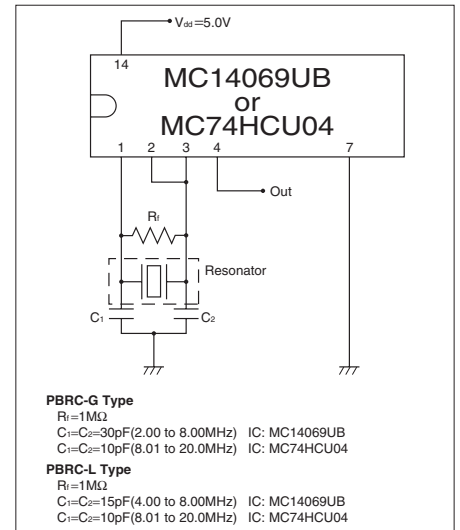
(Unit : mm)



(Unit : mm)



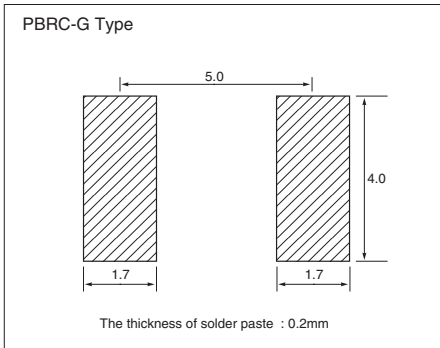
Test Circuit



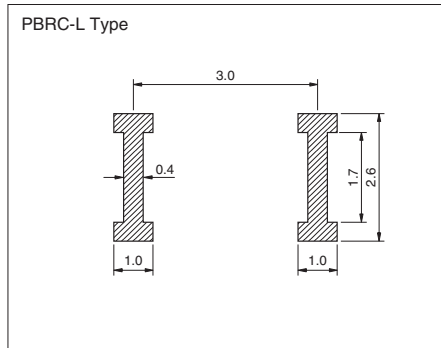
Remark:
C1 and C2 are referenced capacitance values to measure each parameter under.
The right test circuit(IC: MC14069UD).
C1 and C2 values would be modified depend upon various IC to be used.

Recommended Land Pattern

(Unit : mm)



(Unit : mm)



Specifications

Series	Frequency Range(MHz)	Frequency Tolerance(25°C)	Temperature Stability
PBRC-G	2.00 to 8.00	±0.5% (op. ±0.3%)	±0.5% (-40 to 85°C)
	8.01 to 20.0	±0.7% (op. ±0.5%)	±0.1% (-40 to 85°C)
PBRC-L	3.68 to 8.00	±0.5% (op. ±0.3%)	±0.5% (-40 to 85°C)
	8.01 to 20.0	±0.7% (op. ±0.5%)	±0.1% (-40 to 85°C)

Please contact our local sales office if you need over 8MHz.



RoHS Compliant

Features

- High reliability, high temperature withstanding ceramic case
- Rectangular shape allows easy pick and placement
- Small & low profile
- Reflow solderable
- Excellent Solderability(Nickel barrier+Au flush termination)

How to Order

PBRC 15.00 H R 10 Y 0AB
① ② ③ ④ ⑤ ⑥ ⑦

- ① Series (PBRC: Consumer)
- ② Frequency (MHz)
- ③ Type(H,M)
- ④ Packing _ Bulk (Null)
R Reel

⑤ Frequency Tolerance at 25°C

10	±0.1%	20	±0.2%
30	±0.3%	40	±0.4%
50	±0.5%	70	±0.7%

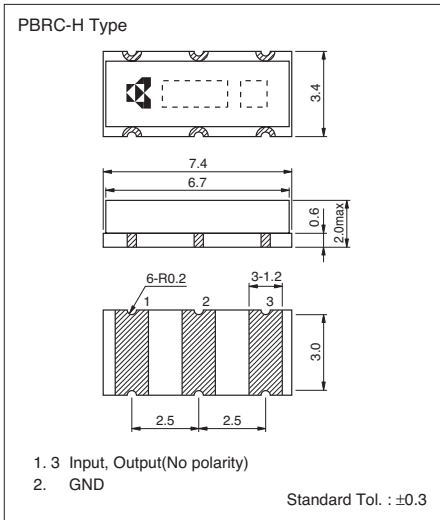
⑥ Operating temperature

X	-40 / 85°C	Y	-40 / 125°C
Z	-40 / 150°C		

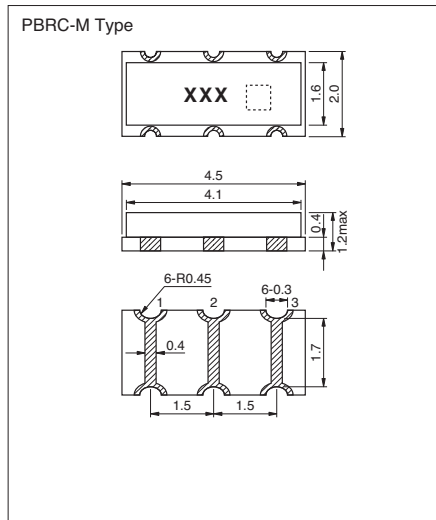
⑦ Unique code

Dimensions

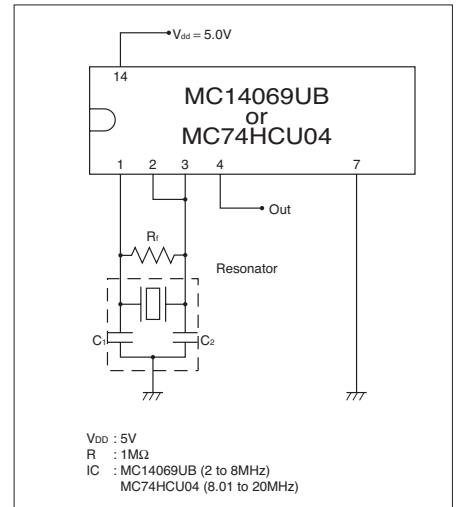
(Unit : mm)



#	Pin #
1	Input
2	Ground
3	Output



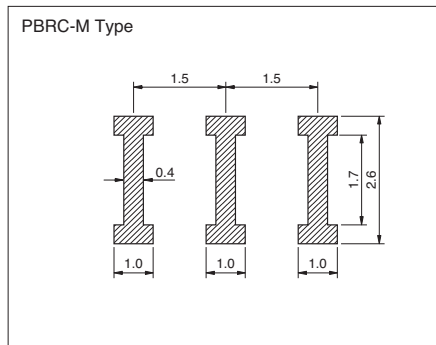
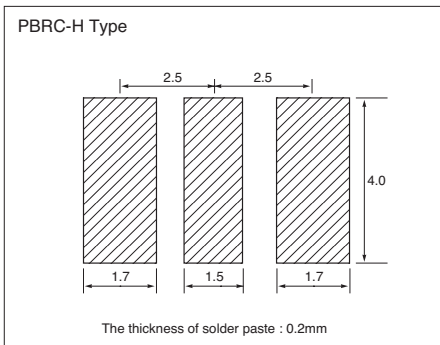
Test Circuit



Notice
Please refer to IC Application Guide on our WEB site for IC matching.

Recommended Land pattern

(Unit : mm)



Specifications

Series	Frequency Range(MHz)	Frequency Tolerance(25°C)	Temperature Stability
PBRC-H	2.00 to 8.00	±0.5% (op. ±0.3%)	±0.5% (-40 to 85°C)
	8.01 to 20.0	±0.7% (op. ±0.5%)	±0.1% (-40 to 85°C)
PBRC-M	3.68 to 8.00	±0.5% (op. ±0.3%)	±0.5% (-40 to 85°C)
	8.01 to 20.0	±0.7% (op. ±0.5%)	±0.1% (-40 to 85°C)

Please contact our local sales office if you need over 8MHz.