

## FSAV450 800MHz Quad SPDT LCD/Plasma Video Switch

### General Description

FSAV450 is a 5V, high performance analog video switch specially designed for the route of analog RGB signals especially for applications with minimum cross-talk requirements such as LCD panels and plasma TV with dual RGB or S-video inputs. The wide bandwidth (800MHz) of this switch allows signal pass with minimum edge and phase distortion while  $-75\text{dB}$  non-adjacent channel crosstalk and  $-60\text{dB}$  OFF Isolation generates ignorable image noise between active channels. Optimized differential gain and differential phases maintain the image integrity for video applications while low On Resistance offers smallest signal insertion loss.

### Features

- $-60\text{dB}$  OFF Isolation at 10MHz
- $-75\text{dB}$  non-adjacent channel crosstalk at 10MHz
- $4\Omega$  typical On Resistance ( $R_{ON}$ )
- $-3\text{dB}$  bandwidth: 800MHz
- Low power consumption (1uA max)
- Control input: TTL compatible

### Applications

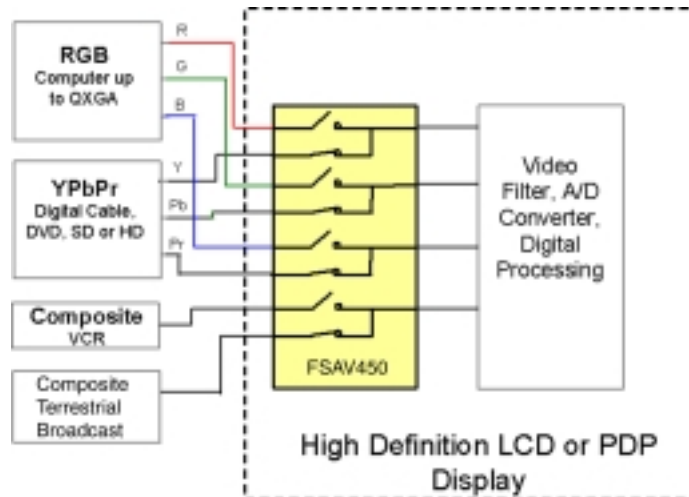
- RGB Video Switch in LCD, plasma and projector displays

### Ordering Code:

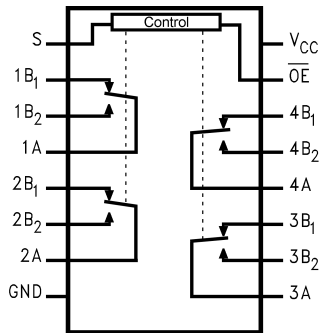
Order Number	Package Number	Package Description
FSAV450BQX (Note 1)	MLP016E	Pb-Free 16-Terminal Depopulated Quad Very-Thin Flat Pack No Leads (DQFN), JEDEC MO-241, 2.5 x 3.5mm
FSAV450QSC	MQA16	16-Lead Quarter Size Outline Package (QSOP), JEDEC MO-137, 0.150" Wide
FSAV450MTC	MTC16	16-Lead Thin Shrink Small Outline Package (TSSOP), JEDEC MO-153, 4.4mm Wide

Devices also available in Tape and Reel. Specify by appending suffix letter "X" to the ordering code.  
Pb-Free package per JEDEC J-STD-020B.

**Note 1:** DQFN package available in Tape and Reel only.



**Analog Symbol**

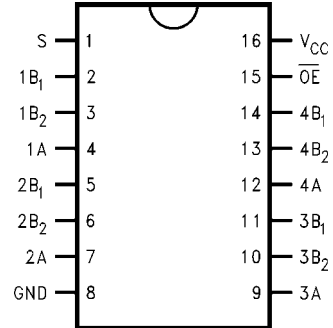


**Pin Descriptions**

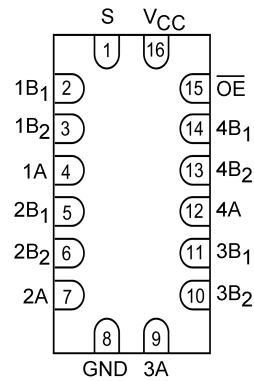
Pin Name	Description
$\overline{OE}$	Bus Switch Enable
S	Select Input
A	Bus A
B <sub>1</sub> -B <sub>2</sub>	Bus B

**Connection Diagrams**

Pin Assignments for QSOP and TSSOP



Pad Assignments for DQFN (Preliminary)



**Truth Table**

S	$\overline{OE}$	Function
X	H	Disconnect
L	L	A = B <sub>1</sub>
H	L	A = B <sub>2</sub>

Absolute Maximum Ratings <small>(Note 2)</small>		Recommended Operating Conditions <small>(Note 4)</small>	
Supply Voltage ( $V_{CC}$ )	-0.5V to +6.0V	Power Supply Operating ( $V_{CC}$ )	4.5V to 5.5V
DC Switch Voltage ( $V_S$ )	-0.5V to +6.0V	Input Voltage ( $V_{IN}$ )	0V to $V_{CC}$
DC Input Voltage ( $V_{IN}$ ) <small>(Note 3)</small>	-0.5V to +6.0V	Output Voltage ( $V_{OUT}$ )	0V to $V_{CC}$
DC Input Diode Current ( $I_{IK}$ ) $V_{IN} < 0V$	-50 mA	Input Rise and Fall Time ( $t_r, t_f$ )	
DC Output ( $I_{OUT}$ ) Sink Current	128 mA	Switch Control Input	0 ns/V to 5 ns/V
DC $V_{CC}/GND$ Current ( $I_{CC}/I_{GND}$ )	$\pm 100$ mA	Switch I/O	0 ns/V to DC
Storage Temperature Range ( $T_{STG}$ )	-65°C to +150 °C	Free Air Operating Temperature ( $T_A$ )	-40 °C to +85 °C
ESD			
Human Body Model	2kV		

**Note 2:** The Absolute Maximum Ratings are those values beyond which the safety of the device cannot be guaranteed. The device should not be operated at these limits. The parametric values defined in the Electrical Characteristics tables are not guaranteed at the absolute maximum rating. The Recommended Operating Conditions tables will define the conditions for actual device operation.

**Note 3:** The input and output negative voltage ratings may be exceeded if the input and output diode current ratings are observed.

**Note 4:** Unused control inputs must be held HIGH or LOW. They may not float.

### DC Electrical Characteristics

Symbol	Parameter	$V_{CC}$ (V)	$T_A = -40\text{ }^\circ\text{C to } +85\text{ }^\circ\text{C}$			Units	Conditions
			Min	Typ (Note 5)	Max		
	Analog Signal Range		0		2.0	V	
$V_{IK}$	Clamp Diode Voltage	4.5			-1.2	V	$I_{IN} = -18\text{ mA}$
$V_{IH}$	HIGH Level Input Voltage	4.5 to 5.5	2.0			V	
$V_{IL}$	LOW Level Input Voltage	4.5 to 5.5			0.8	V	
$I_I$	Input Leakage Current	5.5			$\pm 1.0$	$\mu\text{A}$	$0 \leq V_{IN} \leq 5.5V$
$I_{OFF}$	OFF-STATE Leakage Current	5.5			$\pm 1.0$	$\mu\text{A}$	$0 \leq A, B \leq V_{CC}$
$R_{ON}$	Switch On Resistance (Note 6)	4.5		4.0	6.0	$\Omega$	$V_{IN} = 1.0V$ $R_I = 75\ \Omega, I_{ON} = 13\text{ mA}$
		4.5		5.0	7.0	$\Omega$	$V_{IN} = 2.0V$ $R_I = 75\ \Omega, I_{ON} = 26\text{ mA}$
$I_{CC}$	Quiescent Supply Current	5.5			1.0	$\mu\text{A}$	$V_{IN} = V_{CC}$ or GND, $I_{OUT} = 0$
$\Delta I_{CC}$	Increase in $I_{CC}$ per Input	5.5			1.5	mA	One Input at 3.4V Other Inputs at $V_{CC}$ or GND

**Note 5:** Typical values are at  $T_A = +25^\circ\text{C}$

**Note 6:** Measured by the voltage drop between A and B pins at the indicated current through the switch. On Resistance is determined by the lower of the voltages on the two (A or B) pins.

## AC Electrical Characteristics

Symbol	Parameter	V <sub>CC</sub> (V)	T <sub>A</sub> = -40°C to +85°C			Units	Conditions	Figure Number
			Min	Typ (Note 7)	Max			
t <sub>ON</sub>	Turn ON Time S-to-Bus B	4.5 to 5.5		4.0	6.0	ns	V <sub>B</sub> = 2.0V	Figures 8, 9
	Output Enable Time OE-to-A or B	4.5 to 5.5		3.5	5.5			
t <sub>OFF</sub>	Turn OFF Time S-to-Bus B	4.5 to 5.5		1.5	3.5	ns	V <sub>B</sub> = 2.0V	Figures 8, 9
	Output Disable Time OE-to-A or B	4.5 to 5.5		1.5	3.5			
DG	Differential Gain	4.5 to 5.5		0.2		%	R <sub>L</sub> = 75Ω, f = 3.58MHz	Figure 2
DP	Differential Phase	4.5 to 5.5		0.1		Degree	R <sub>L</sub> = 75Ω, f = 3.58MHz	Figure 3
O <sub>IRR</sub>	Non-Adjacent OFF-Isolation	4.5 to 5.5		-60.0		dB	f = 10MHz, R <sub>L</sub> = 75Ω	Figures 4, 10
X <sub>TALK</sub>	Non-Adjacent Channel Crosstalk	4.5 to 5.5		-75.0		dB	R <sub>L</sub> = 75Ω, f = 10MHz	Figures 5, 11
BW	-3dB Bandwidth	4.5 to 5.5		800		MHz	R <sub>L</sub> = 50Ω (DQFN)	Figures 1, 12
		4.5 to 5.5		700			R <sub>L</sub> = 50Ω (QSOP and TSSOP)	
		4.5 to 5.5		650			R <sub>L</sub> = 75Ω (DQFN)	Figure 12
		4.5 to 5.5		600			R <sub>L</sub> = 75Ω (QSOP and TSSOP)	

Note 7: Typical values are at V<sub>CC</sub> = 5.0V and T<sub>A</sub> = +25°C

## Capacitance

Symbol	Parameter	T <sub>A</sub> = -40°C to +85°C		Units	Conditions
		Min	Typ		
C <sub>IN</sub>	Control Pin Input Capacitance		3.0	pF	V <sub>CC</sub> = 0V
C <sub>ON</sub>	A/B ON Capacitance		8.5	pF	V <sub>CC</sub> = 5.0V, $\overline{OE}$ = 0V
C <sub>OFF</sub>	Port B OFF Capacitance		3.0	pF	V <sub>CC</sub> and $\overline{OE}$ = 5.0V

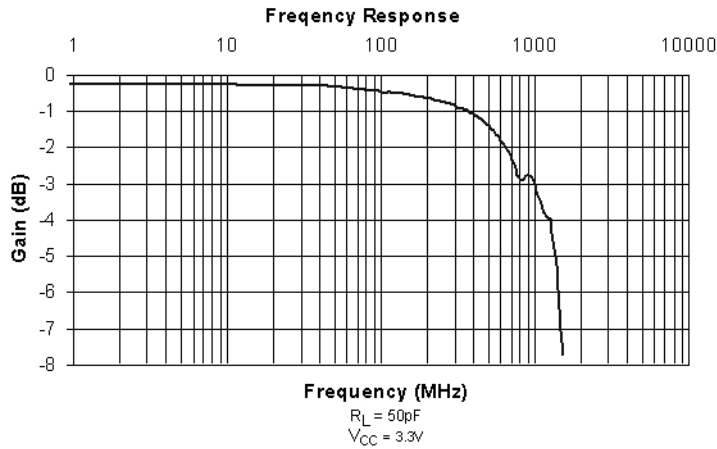


FIGURE 1. Gain vs. Frequency

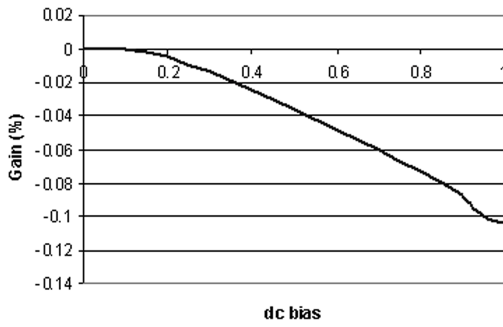


FIGURE 2. Differential Gain vs. dc bias

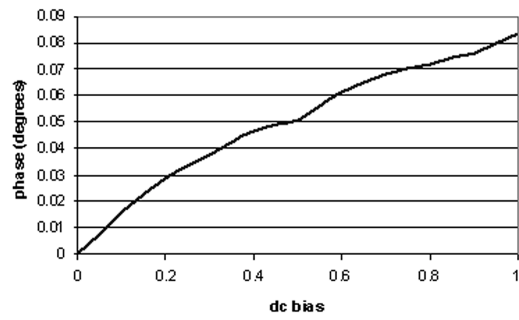


FIGURE 3. Differential Phase vs. dc bias

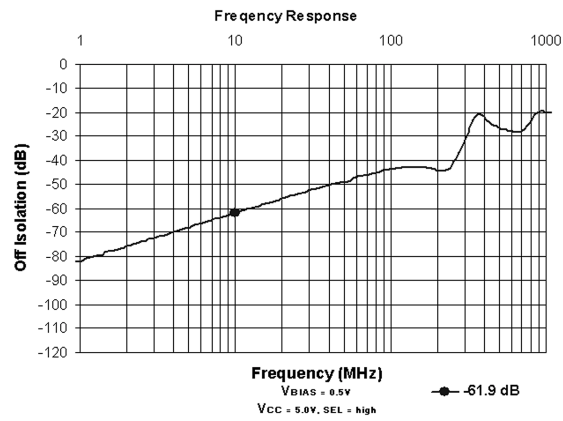


FIGURE 4. OFF Isolation

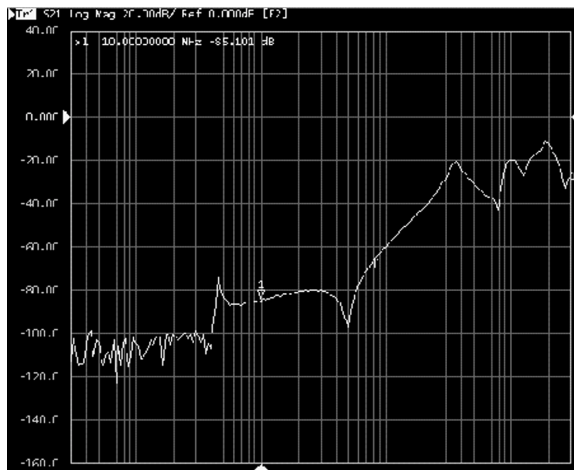


FIGURE 5. OFF Crosstalk vs. Frequency

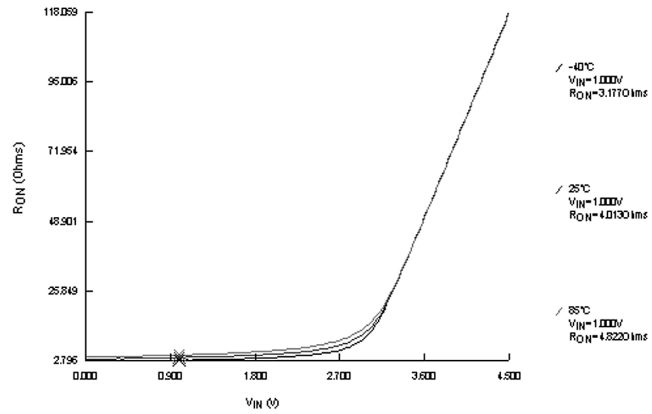


FIGURE 6.  $R_{ON}$  Switch On Resistance,  $I_{ON} = 13\text{mA}$

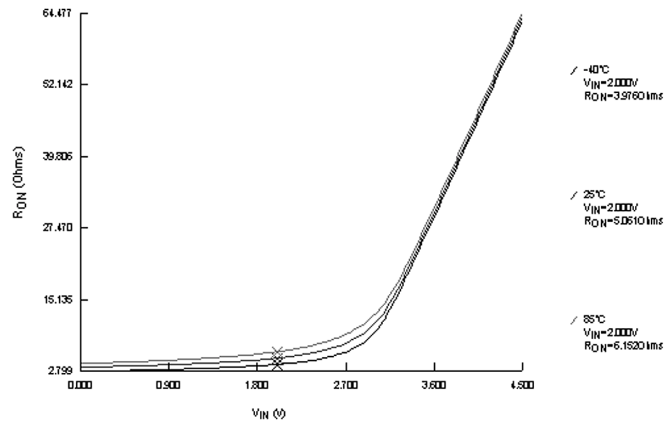
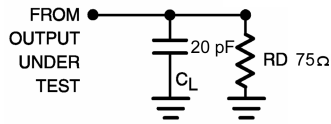


FIGURE 7.  $R_{ON}$  Switch On Resistance,  $I_{ON} = 26\text{mA}$

## AC Loading and Waveforms



Note: Input driven by 50 Ω source terminated in 50 Ω  
 Note:  $C_L$  includes load and stray capacitance  
 Note: Input PRR = 1.0 MHz,  $t_W$  = 500 ns

FIGURE 8. AC Test Circuit

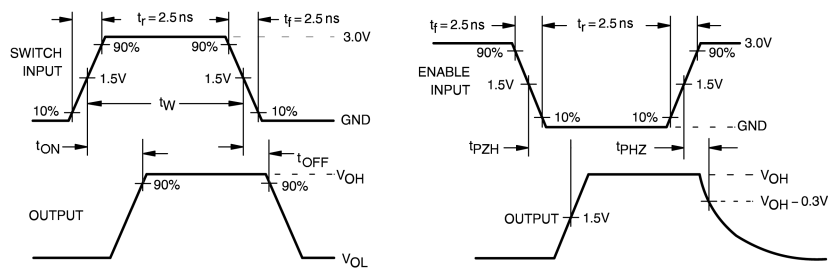


FIGURE 9. AC Waveforms

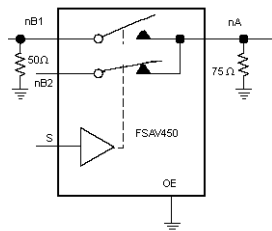


FIGURE 10. OFF Isolation Test

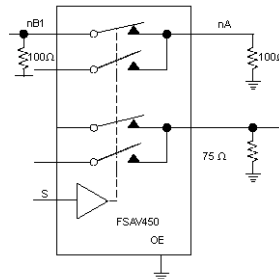


FIGURE 11. Crosstalk Test

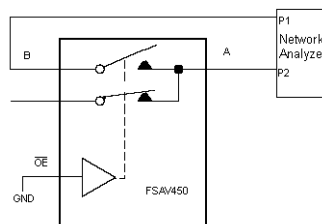


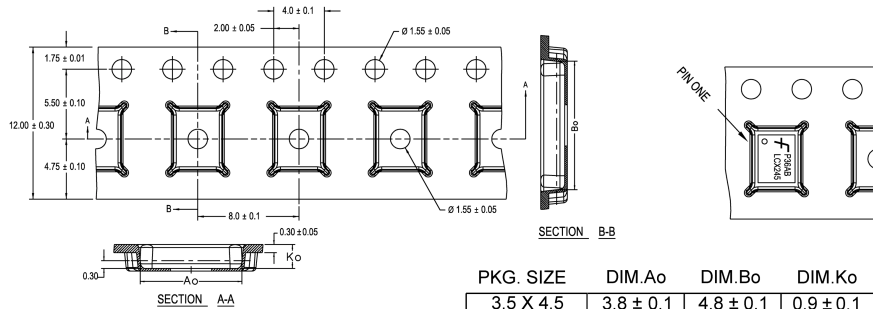
FIGURE 12. Bandwidth Test

## Tape and Reel Specification

### TAPE FORMAT for DQFN

Package Designator	Tape Section	Number Cavities	Cavity Status	Cover Tape Status
BQX	Leader (Start End)	125 (typ)	Empty	Sealed
	Carrier	2500/3000	Filled	Sealed
	Trailer (Hub End)	75 (typ)	Empty	Sealed

### TAPE DIMENSIONS inches (millimeters)



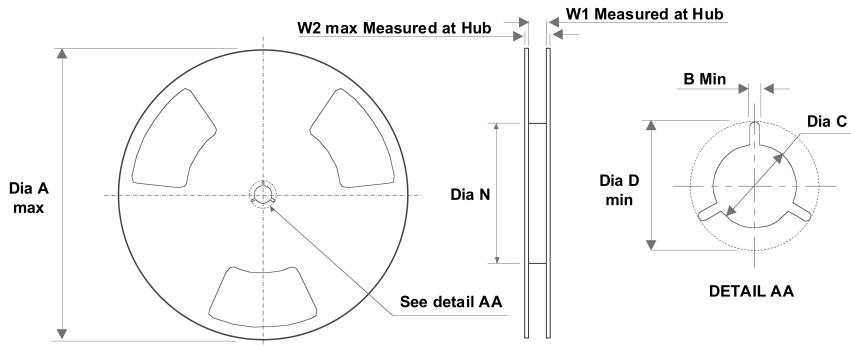
PKG. SIZE	DIM.Ao	DIM.Bo	DIM.Ko
3.5 X 4.5	3.8 ± 0.1	4.8 ± 0.1	0.9 ± 0.1
3.0 X 3.0	3.3 ± 0.1	3.3 ± 0.1	0.9 ± 0.1
2.5 X 4.5	2.8 ± 0.1	4.8 ± 0.1	0.9 ± 0.1
2.5 X 3.5	2.8 ± 0.1	3.8 ± 0.1	0.9 ± 0.1
2.5 X 3.0	2.8 ± 0.1	3.3 ± 0.1	0.9 ± 0.1
2.5 X 2.5	2.8 ± 0.1	2.8 ± 0.1	0.9 ± 0.1

DIMENSIONS ARE IN MILLIMETERS

NOTES: unless otherwise specified

1. Cumulative pitch for feeding holes and cavities (chip pockets) not to exceed 0.008[0.20] over 10 pitch span.
2. Smallest allowable bending radius.
3. Thru hole inside cavity is centered within cavity.
4. Tolerance is ±0.002[0.05] for these dimensions on all 12mm tapes.
5. Ao and Bo measured on a plane 0.120[0.30] above the bottom of the pocket.
6. Ko measured from a plane on the inside bottom of the pocket to the top surface of the carrier.
7. Pocket position relative to sprocket hole measured as true position of pocket. Not pocket hole.
8. Controlling dimension is millimeter. Dimension in inches rounded.

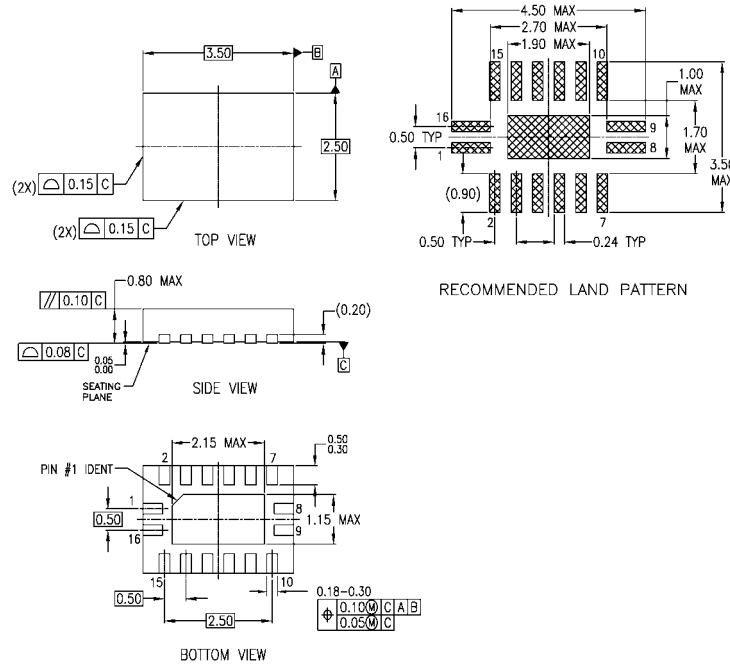
### REEL DIMENSIONS inches (millimeters)



Tape Size	A	B	C	D	N	W1	W2
12 mm	13.0 (330)	0.059 (1.50)	0.512 (13.00)	0.795 (20.20)	7.008 (178)	0.488 (12.4)	0.724 (18.4)



**Physical Dimensions** inches (millimeters) unless otherwise noted



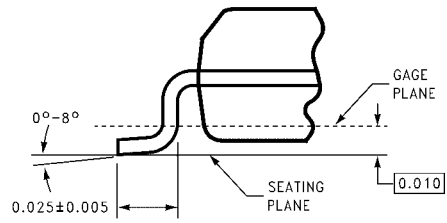
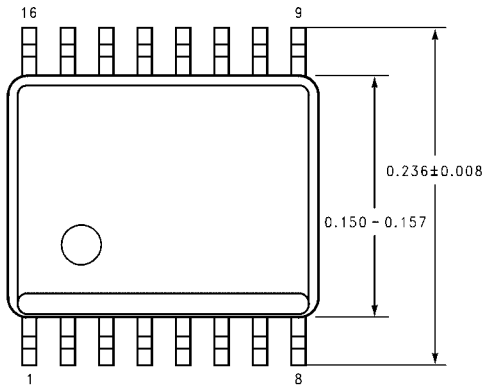
NOTES:

- A. CONFORMS TO JEDEC REGISTRATION MO-241, VARIATION AB
- B. DIMENSIONS ARE IN MILLIMETERS.
- C. DIMENSIONS AND TOLERANCES PER ASME Y14.5M, 1994

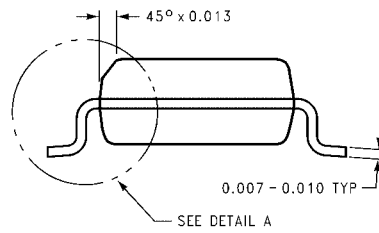
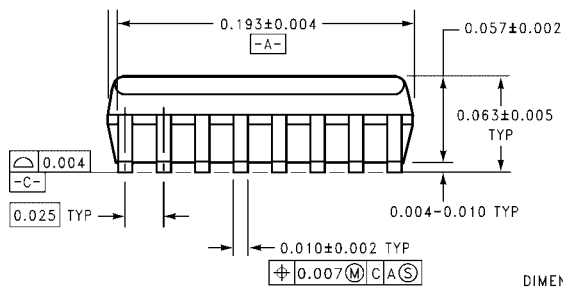
MLP016ErevA

**Pb-Free 16-Terminal Depopulated Quad Very-Thin Flat Pack No Leads (DQFN), JEDEC MO-241, 2.5 x 3.5mm Package Number MLP016E**

**Physical Dimensions** inches (millimeters) unless otherwise noted (Continued)



DETAIL A  
TYPICAL, SCALE: 40%

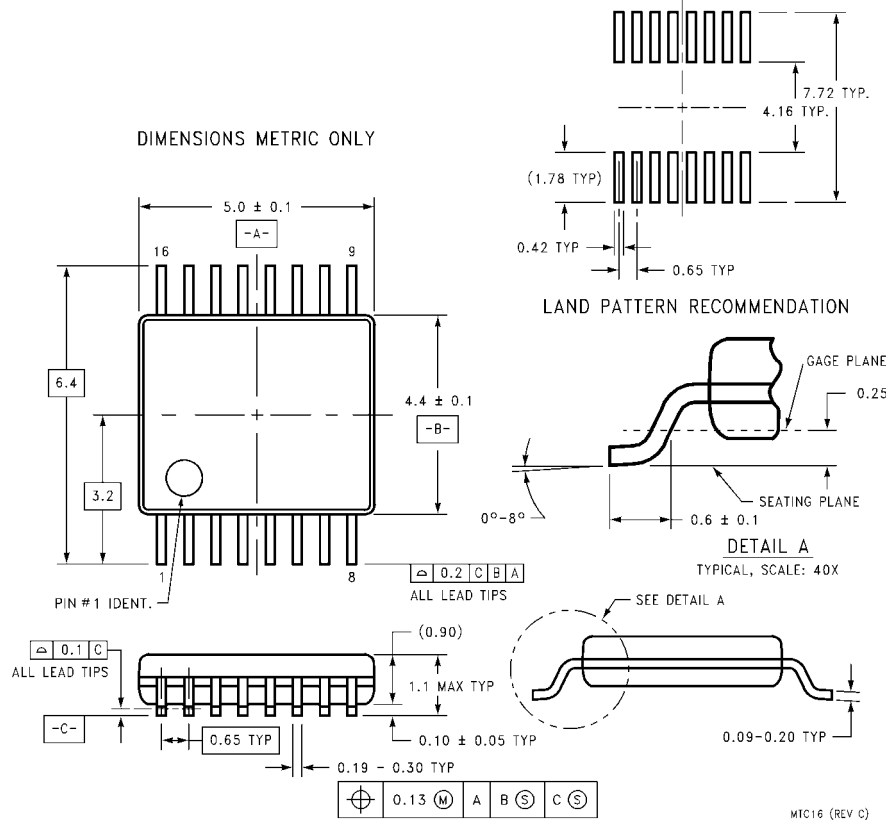


DIMENSIONS ARE IN INCHES

MQA16 (REV A)

**16-Lead Quarter Size Outline Package (QSOP), JEDEC MO-137, 0.150" Wide  
Package Number MQA16**

**Physical Dimensions** inches (millimeters) unless otherwise noted (Continued)



**16-Lead Thin Shrink Small Outline Package (TSSOP), JEDEC MO-153, 4.4mm Wide  
Package Number MTC16**

**Technology Description**

The Fairchild Switch family derives from and embodies Fairchild's proven switch technology used for several years in its 74LVX3L384 (FST3384) bus switch product.

Fairchild does not assume any responsibility for use of any circuitry described, no circuit patent licenses are implied and Fairchild reserves the right at any time without notice to change said circuitry and specifications.

**LIFE SUPPORT POLICY**

FAIRCHILD'S PRODUCTS ARE NOT AUTHORIZED FOR USE AS CRITICAL COMPONENTS IN LIFE SUPPORT DEVICES OR SYSTEMS WITHOUT THE EXPRESS WRITTEN APPROVAL OF THE PRESIDENT OF FAIRCHILD SEMICONDUCTOR CORPORATION. As used herein:

1. Life support devices or systems are devices or systems which, (a) are intended for surgical implant into the body, or (b) support or sustain life, and (c) whose failure to perform when properly used in accordance with instructions for use provided in the labeling, can be reasonably expected to result in a significant injury to the user.
2. A critical component in any component of a life support device or system whose failure to perform can be reasonably expected to cause the failure of the life support device or system, or to affect its safety or effectiveness.

[www.fairchildsemi.com](http://www.fairchildsemi.com)