

Low-Power, High-Speed CMOS Analog Switches

Features

- 44-V Supply Max Rating
- ± 15 -V Analog Signal Range
- On-Resistance— $r_{DS(on)}$: 20 Ω
- Low Leakage— $I_{D(on)}$: 40 pA
- Fast Switching— t_{ON} : 100 ns
- Ultra Low Power Requirements— P_D : 0.35 μ W
- TTL, CMOS Compatible
- Single Supply Capability

Benefits

- Wide Dynamic Range
- Low Signal Errors and Distortion
- Break-Before-Make Switching Action
- Simple Interfacing

Applications

- Audio and Video Switching
- Sample-and-Hold Circuits
- Battery Operation
- Test Equipment
- Hi-Rel Systems
- PBX, PABX

Description

The DG401/403/405 monolithic analog switches were designed to provide precision, high performance switching of analog signals. Combining low power (0.35 μ W, typ) with high speed (t_{ON} : 100 ns, typ), the DG401 series is ideally suited for portable and battery powered industrial and military applications.

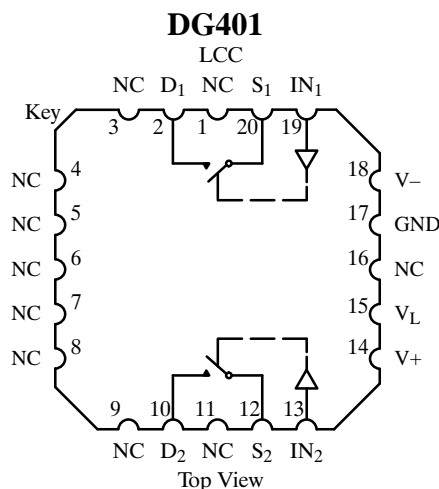
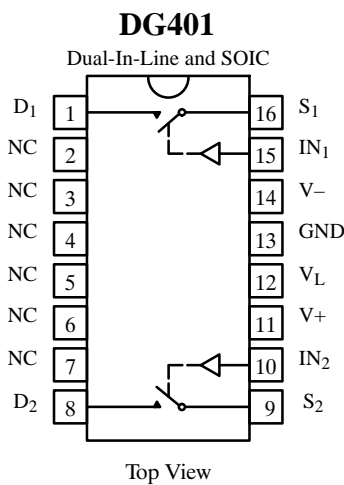
Built on the Siliconix proprietary high-voltage silicon-gate process to achieve high voltage rating and superior switch on/off performance, break-before-make is guaranteed

for the SPDT configurations. An epitaxial layer prevents latchup.

Each switch conducts equally well in both directions when on, and blocks up to 30 V peak-to-peak when off. On-resistance is very flat over the full ± 15 -V analog range, rivaling JFET performance without the inherent dynamic range limitations.

The three devices in this series are differentiated by the type of switch action as shown in the functional block diagrams.

Functional Block Diagrams and Pin Configurations



Two SPST Switches per Package

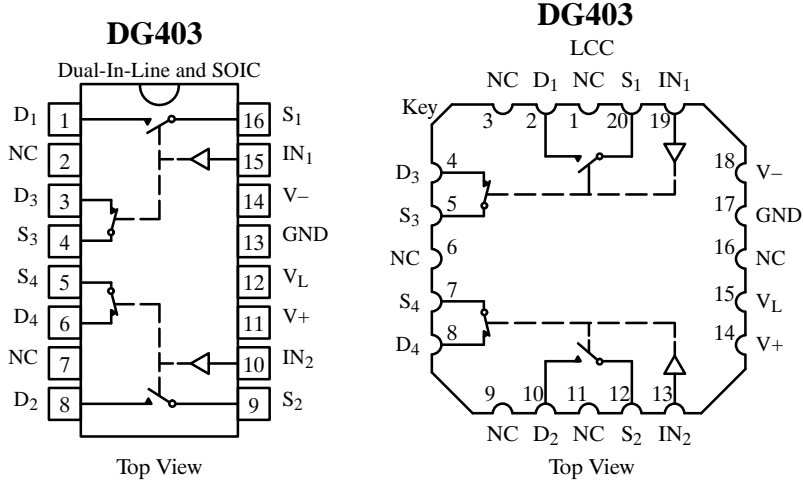
Truth Table

| Logic | Switch |
|-------|--------|
| 0 | OFF |
| 1 | ON |

Logic "0" ≤ 0.8 V
Logic "1" ≥ 2.4 V

Updates to this data sheet may be obtained via facsimile by calling Siliconix FaxBack, 1-408-970-5600. Please request FaxBack document #70049.

Functional Block Diagrams and Pin Configurations (Cont'd)

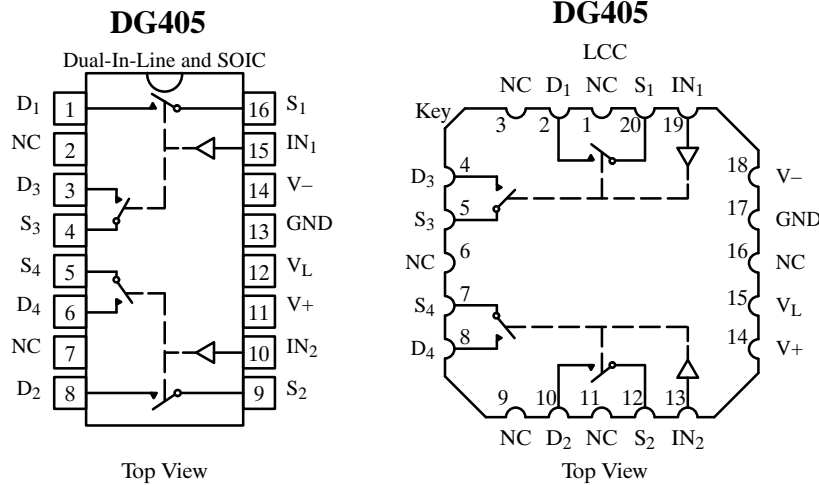


Two SPDT Switches per Package

Truth Table

| Logic | SW ₁ , SW ₂ | SW ₃ , SW ₄ |
|-------|-----------------------------------|-----------------------------------|
| 0 | OFF | ON |
| 1 | ON | OFF |

Logic "0" ≤ 0.8 V
 Logic "1" ≥ 2.4 V



Two DPST Switches per Package

Truth Table

| Logic | Switch |
|-------|--------|
| 0 | OFF |
| 1 | ON |

Logic "0" ≤ 0.8 V
 Logic "1" ≥ 2.4 V

Ordering Information

| Temp Range | Package | Part Number |
|--------------|--------------------|-----------------|
| DG401 | | |
| -40 to 85°C | 16-Pin Plastic DIP | DG401DJ |
| -55 to 125°C | 16-Pin CerDIP | DG401AK |
| | | DG401AK/883 |
| | LCC-20 | DG401AZ/883 |
| DG403 | | |
| -40 to 85°C | 16-Pin Plastic DIP | DG403DJ |
| | 16-Pin Narrow SOIC | DG403DY |
| -55 to 125°C | 16-Pin CerDIP | DG403AK |
| | | DG403AK/883 |
| | LCC-20 | 5962-8976301M2A |
| DG405 | | |
| -40 to 85°C | 16-Pin Plastic DIP | DG405DJ |
| | 16-Pin Narrow SOIC | DG405DY |
| -55 to 125°C | 16-Pin CerDIP | DG405AK/883 |
| | LCC-20 | 5962-89961012A |

Absolute Maximum Ratings

| | |
|---|--|
| V+ to V- | 44 V |
| GND to V- | 25 V |
| V _L | (GND - 0.3 V) to (V+) +0.3 V |
| Digital Inputs ^a V _S , V _D | (V-) -2 V to (V+ plus 2 V) or 30 mA, whichever occurs first |
| Current (Any Terminal) Continuous | 30 mA |
| Current, S or D (Pulsed 1 ms 10% duty) | 100 mA |
| Storage Temperature | (AK, AZ Suffix) -65 to 150°C (DJ, DY Suffix) -65 to 125°C |
| Power Dissipation (Package) ^b | |
| 16-Pin Plastic DIP ^c | 450 mW |
| 16-Pin CerDIP ^d | 900 mW |
| 16-Pin SOIC ^e | 600 mW |
| LCC-20 ^f | 900 mW |

Notes:

- Signals on S_X, D_X, or IN_X exceeding V+ or V- will be clamped by internal diodes. Limit forward diode current to maximum current ratings.
- All leads welded or soldered to PC Board.
- Derate 6 mW/°C above 75°C
- Derate 12 mW/°C above 75°C
- Derate 7.6 mW/°C above 75°C
- Derate 13 mW/°C above 75°C

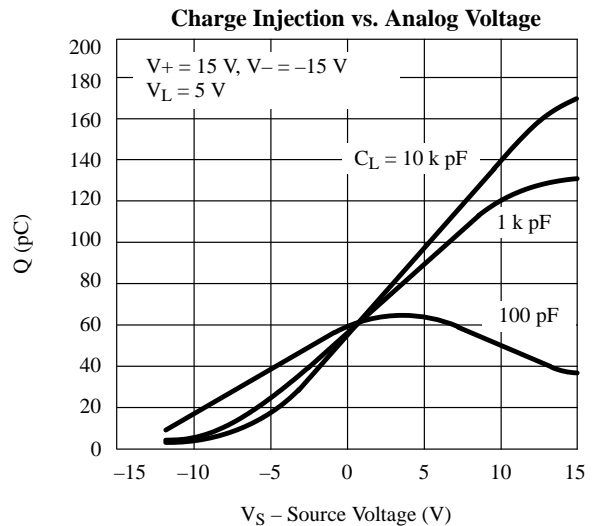
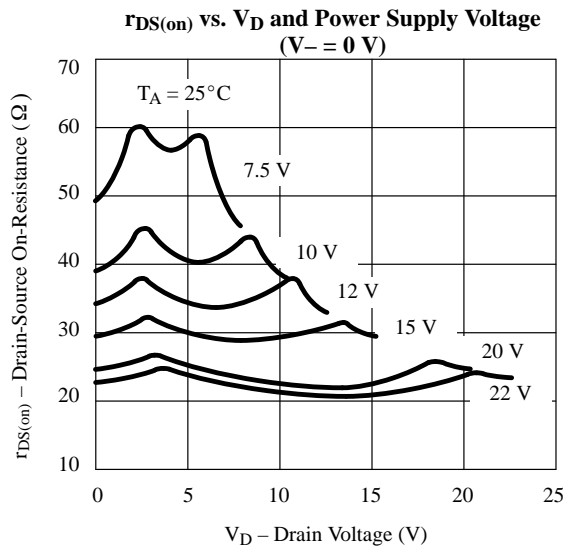
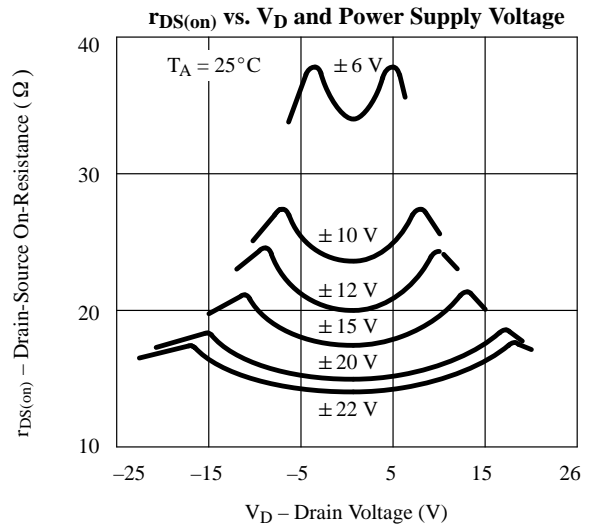
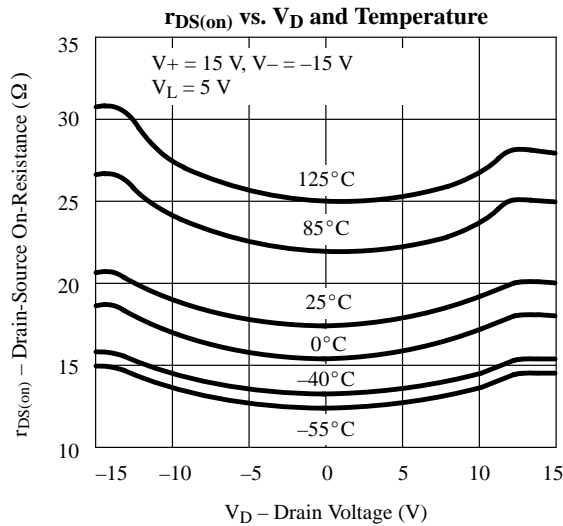
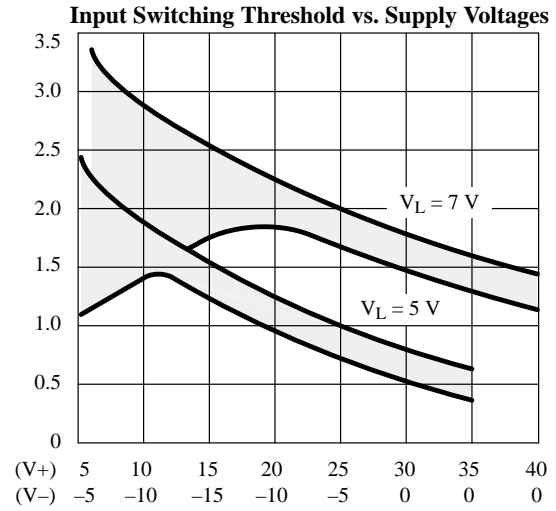
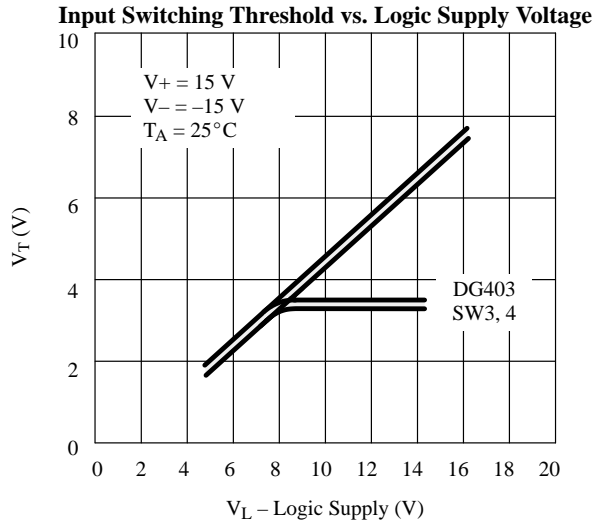
Specifications^a

| Parameter | Symbol | Test Conditions Unless Specified $V_+ = 15\text{ V}$, $V_- = -15\text{ V}$ $V_L = 5\text{ V}$, $V_{IN} = 2.4\text{ V}$, 0.8 V^f | Temp ^b | Typ ^c | A Suffix -55 to 125°C | | D Suffix -40 to 85°C | | Unit |
|--------------------------------------|---------------------|--|-------------------|------------------|--------------------------|------------------|-------------------------|------------------|---------------|
| | | | | | Min ^d | Max ^d | Min ^d | Max ^d | |
| Analog Switch | | | | | | | | | |
| Analog Signal Range ^e | V_{ANALOG} | | Full | | -15 | 15 | -15 | 15 | V |
| Drain-Source On-Resistance | $r_{DS(on)}$ | $I_S = -10\text{ mA}$, $V_D = \pm 10\text{ V}$ $V_+ = 13.5\text{ V}$, $V_- = -13.5\text{ V}$ | Room Full | 20 | | 35 45 | | 45 55 | Ω |
| Δ Drain-Source On-Resistance | $\Delta r_{DS(on)}$ | $I_S = -10\text{ mA}$, $V_D = \pm 5\text{ V}$, 0 V $V_+ = 16.5\text{ V}$, $V_- = -16.5\text{ V}$ | Room Full | 3 | | 3 5 | | 3 5 | |
| Switch Off Leakage Current | $I_{S(off)}$ | $V_+ = 16.5\text{ V}$, $V_- = -16.5\text{ V}$ $V_D = \pm 15.5\text{ V}$, $V_S = \mp 15.5\text{ V}$ | Room Hot | -0.01 | -0.25 -20 | 0.25 20 | -0.5 -5 | 0.5 5 | nA |
| | $I_{D(off)}$ | | Room Hot | -0.01 | -0.25 -20 | 0.25 20 | -0.5 -5 | 0.5 5 | |
| Channel On Leakage Current | $I_{D(on)}$ | $V_+ = 16.5\text{ V}$, $V_- = -16.5\text{ V}$ $V_S = V_D = \pm 15.5\text{ V}$ | Room Hot | -0.04 | -0.4 -40 | 0.4 40 | -1 -10 | 1 10 | |
| Digital Control | | | | | | | | | |
| Input Current V_{IN} Low | I_{IL} | V_{IN} under test = 0.8 V All Other = 2.4 V | Full | 0.005 | -1 | 1 | -1 | 1 | μA |
| Input Current V_{IN} High | I_{IH} | V_{IN} under test = 2.4 V All Other = 0.8 V | Full | 0.005 | -1 | 1 | -1 | 1 | |
| Dynamic Characteristics | | | | | | | | | |
| Turn-On Time | t_{ON} | $R_L = 300\ \Omega$, $C_L = 35\text{ pF}$ See Figure 2 | Room | 100 | | 150 | | 150 | ns |
| Turn-Off Time | t_{OFF} | | Room | 60 | | 100 | | 100 | |
| Break-Before-Make Time Delay (DG403) | t_D | $R_L = 300\ \Omega$, $C_L = 35\text{ pF}$ | Room | 12 | 5 | | 5 | | |
| Charge Injection | Q | $C_L = 10,000\text{ pF}$ $V_{gen} = 0\text{ V}$, $R_{gen} = 0\ \Omega$ | Room | 60 | | | | | pC |
| Off Isolation Reject Ratio | OIRR | $R_L = 100\ \Omega$, $C_L = 5\text{ pF}$ $f = 1\text{ MHz}$ | Room | 72 | | | | | dB |
| Channel-to-Channel Cross-talk | X_{TALK} | | Room | 90 | | | | | |
| Source Off Capacitance | $C_{S(off)}$ | $f = 1\text{ MHz}$, $V_S = 0\text{ V}$ | Room | 12 | | | | | pF |
| Drain Off Capacitance | $C_{D(off)}$ | | Room | 12 | | | | | |
| Channel On Capacitance | $C_D, C_{S(on)}$ | | Room | 39 | | | | | |
| Power Supplies | | | | | | | | | |
| Positive Supply Current | I_+ | $V_+ = 16.5\text{ V}$, $V_- = -16.5\text{ V}$ $V_{IN} = 0$ or 5 V | Room Full | 0.01 | | 1 5 | | 1 5 | μA |
| Negative Supply Current | I_- | | Room Full | -0.01 | -1 -5 | | -1 -5 | | |
| Logic Supply Current | I_L | | Room Full | 0.01 | | 1 5 | | 1 5 | |
| Ground Current | I_{GND} | | Room Full | -0.01 | -1 -5 | | -1 -5 | | |

Notes:

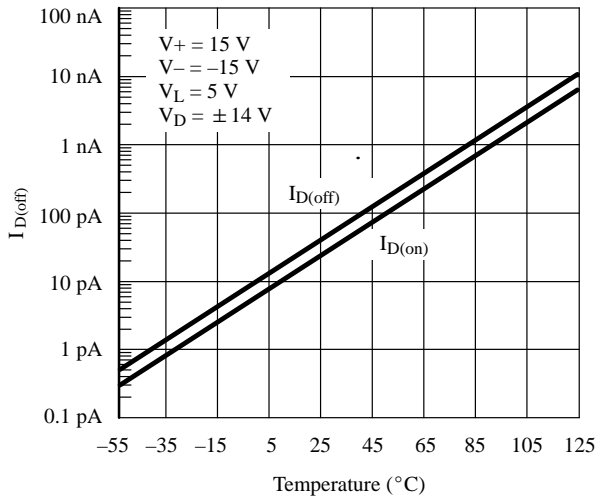
- Refer to PROCESS OPTION FLOWCHART.
- Room = 25°C, Full = as determined by the operating temperature suffix.
- Typical values are for DESIGN AID ONLY, not guaranteed nor subject to production testing.
- The algebraic convention whereby the most negative value is a minimum and the most positive a maximum, is used in this data sheet.
- Guaranteed by design, not subject to production test.
- V_{IN} = input voltage to perform proper function.

Typical Characteristics

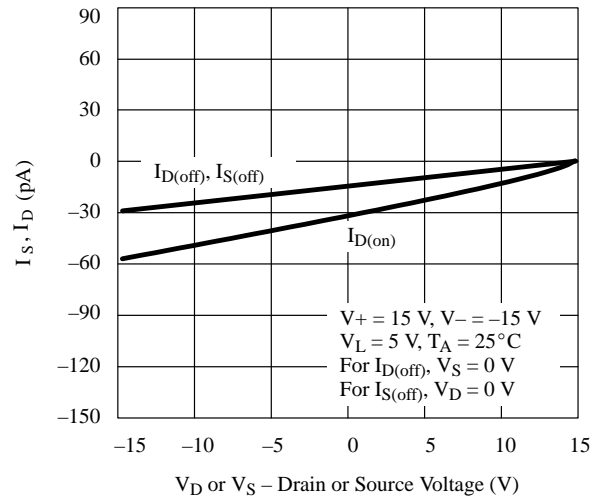


Typical Characteristics (Cont'd)

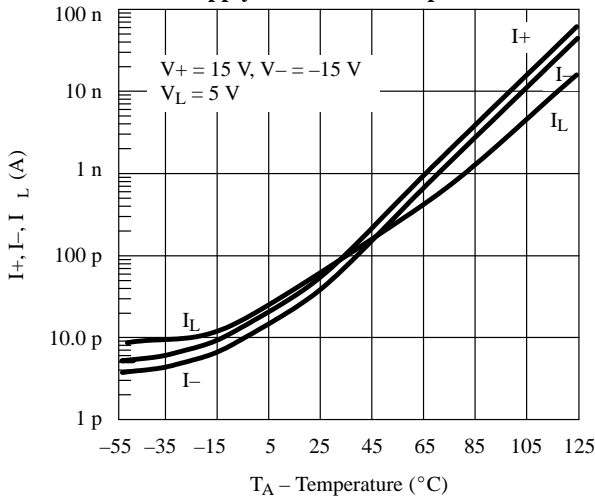
Leakage Current vs. Temperature



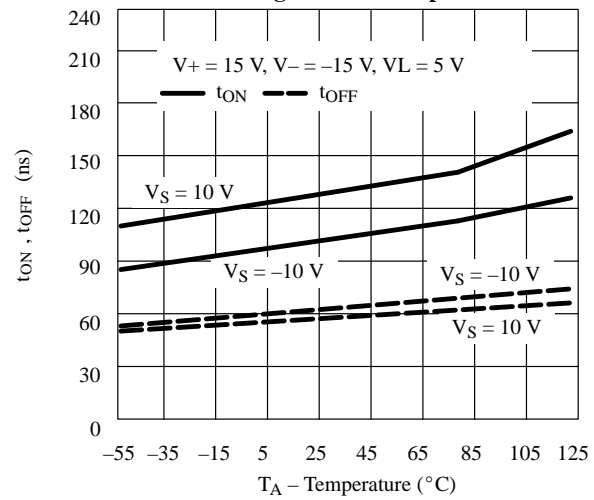
Leakage Current vs. Analog Voltage



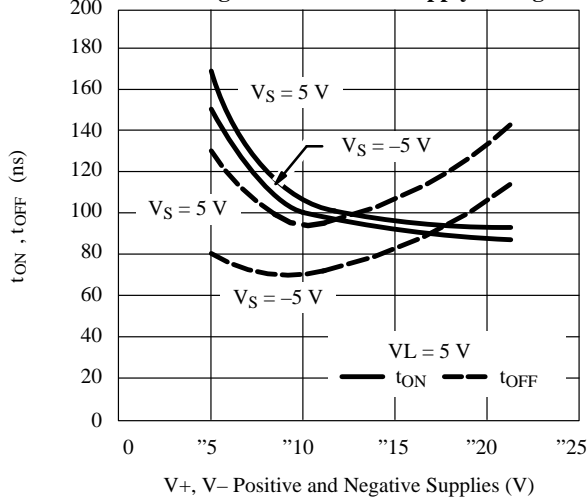
Supply Current vs. Temperature



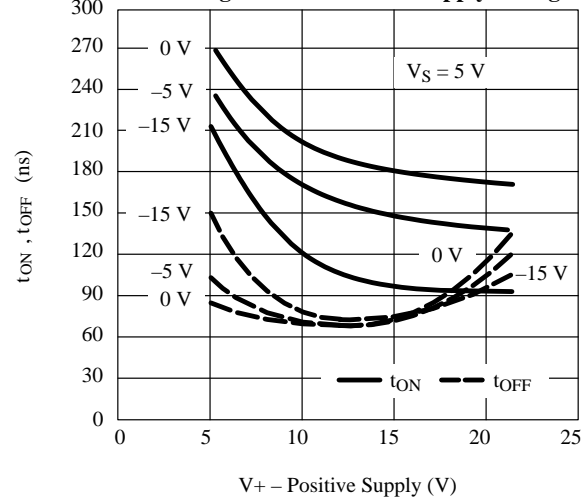
Switching Time vs. Temperature*



Switching Time vs. Power Supply Voltage*



Switching Time vs. Positive Supply Voltage*



*Refer to Figure 2 for test conditions.

Schematic Diagram (Typical Channel)

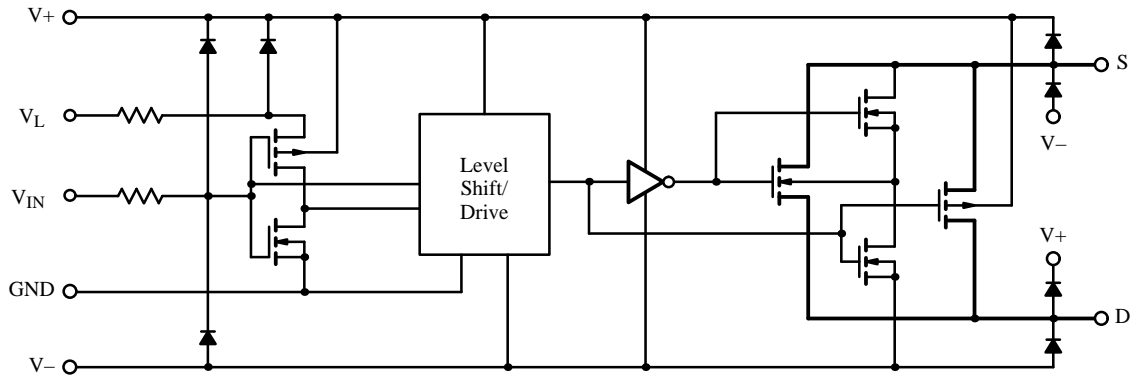
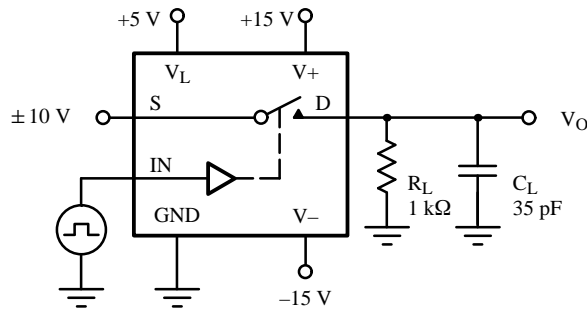


Figure 1.

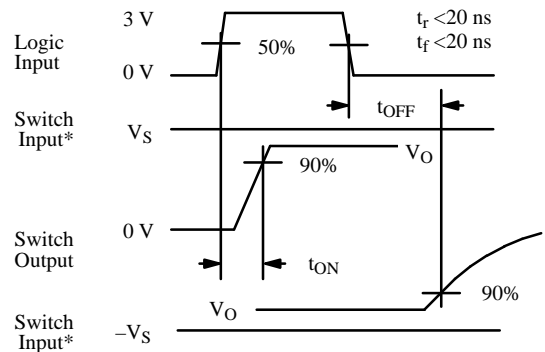
Test Circuits

V_O is the steady state output with the switch on. Feedthrough via switch capacitance may result in spikes at the leading and trailing edge of the output waveform.



C_L (includes fixture and stray capacitance)

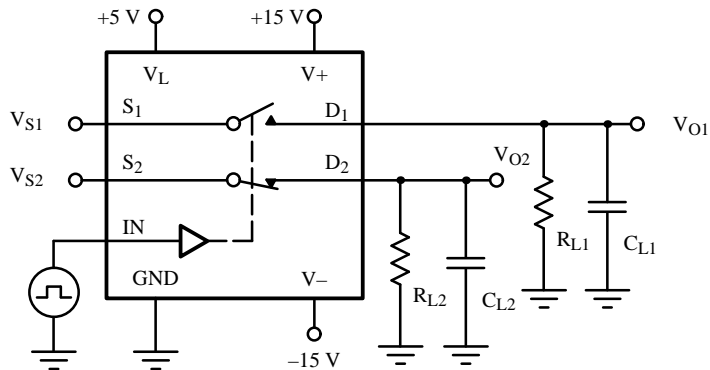
$$V_O = V_S \frac{R_L}{R_L + r_{DS(on)}}$$



* $V_S = 10$ V for t_{ON} , $V_S = -10$ V for t_{OFF}

Note: Logic input waveform is inverted for switches that have the opposite logic sense control

Figure 2. Switching Time



C_L (includes fixture and stray capacitance)

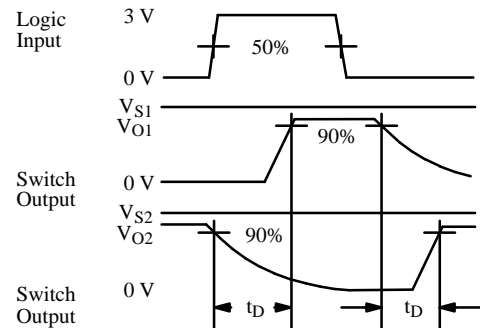


Figure 3. Break-Before-Make

Test Circuits (Cont'd)

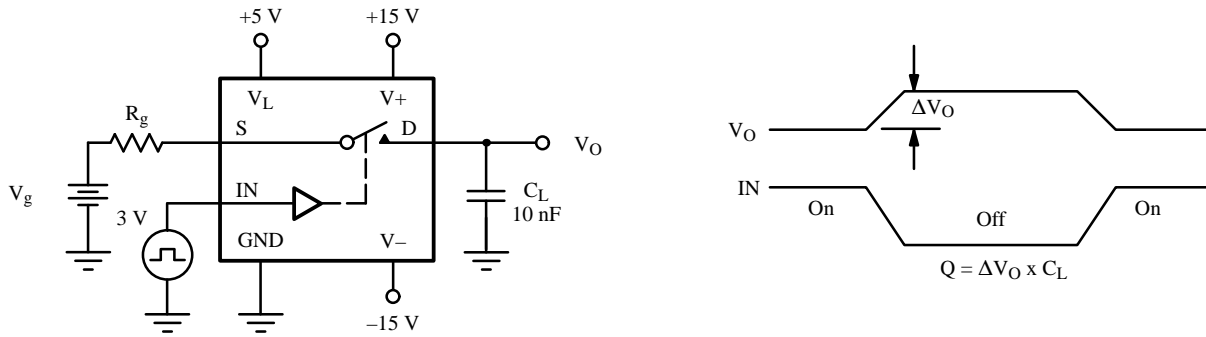


Figure 4. Charge Injection

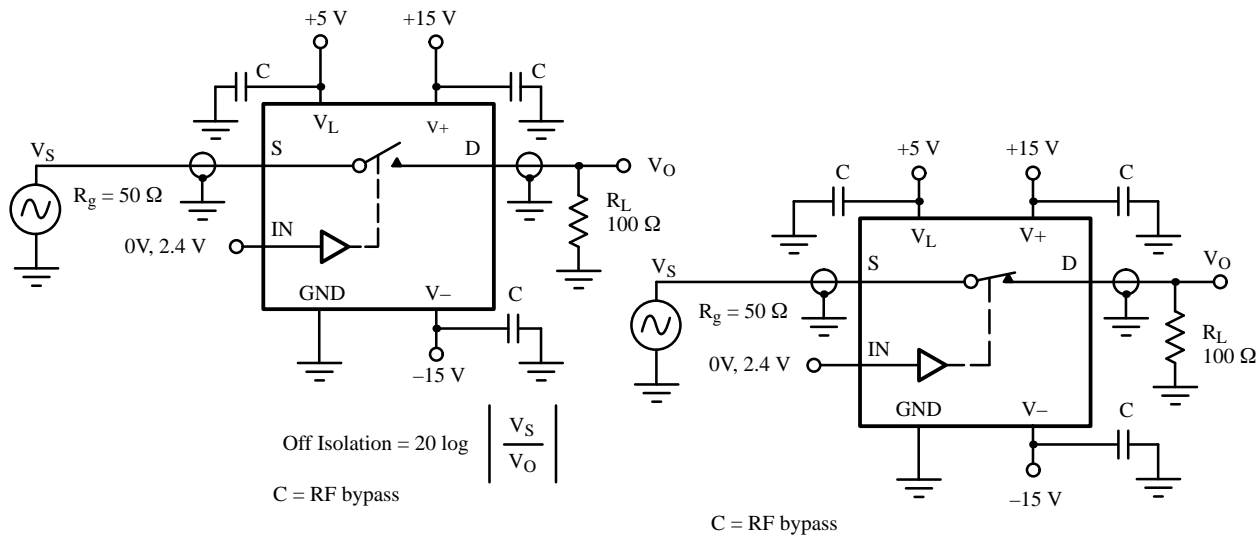


Figure 5. Off Isolation

Figure 6. Insertion Loss

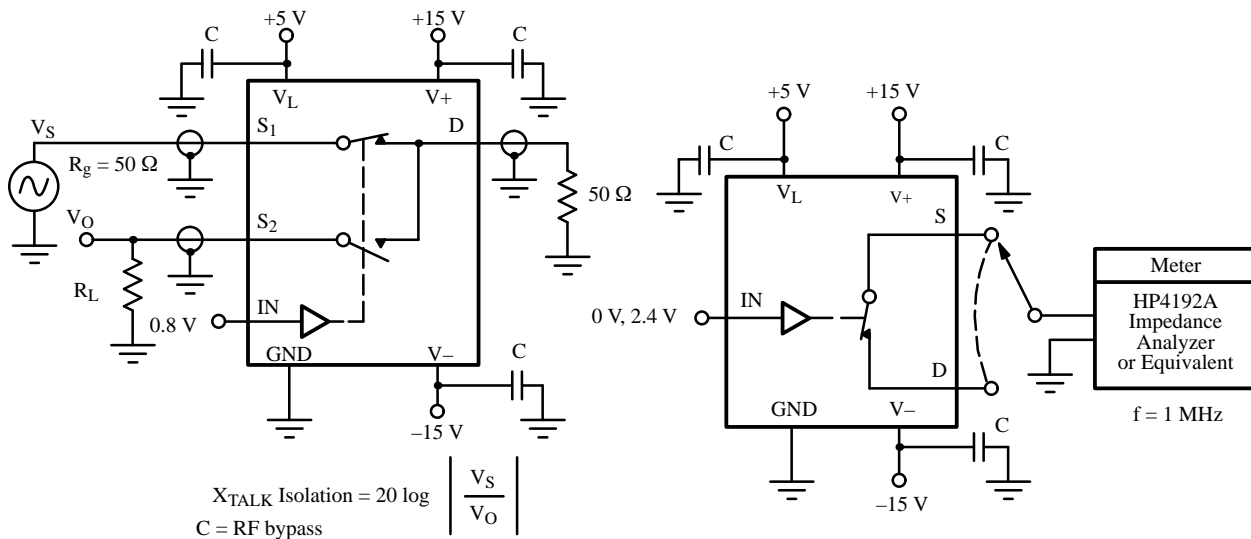


Figure 7. Crosstalk

Figure 8. Capacitances

Applications

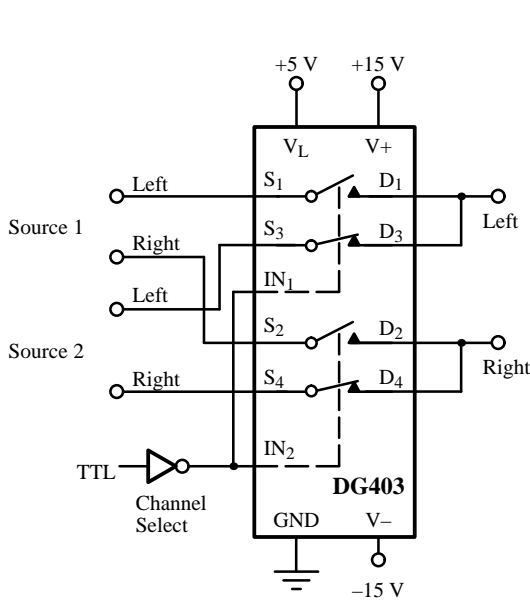


Figure 9. Stereo Source Selector

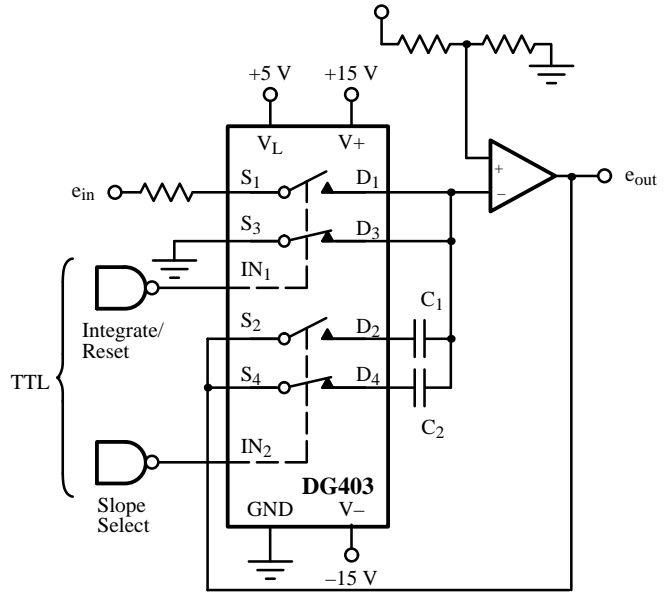


Figure 10. Dual Slope Integrator

Stereo Source Selector:

A single logic signal controls the status of all four switches of the device, simplifying stereo source switching. The low on-resistance (<35 Ω) minimizes total harmonic distortion.

Dual Slope Integrators:

The DG403 is well suited to configure a selectable slope integrator. One control signal selects the timing capacitor C₁ or C₂. Another one selects e_{in} or discharges the capacitor in preparation for the next integration cycle.

Band-Pass Switched Capacitor Filter:

Single-pole double-throw switches are a common element for switched capacitor networks and filters. The fast switching times and low leakage of the DG403 allow for higher clock rates and consequently higher filter operating frequencies.

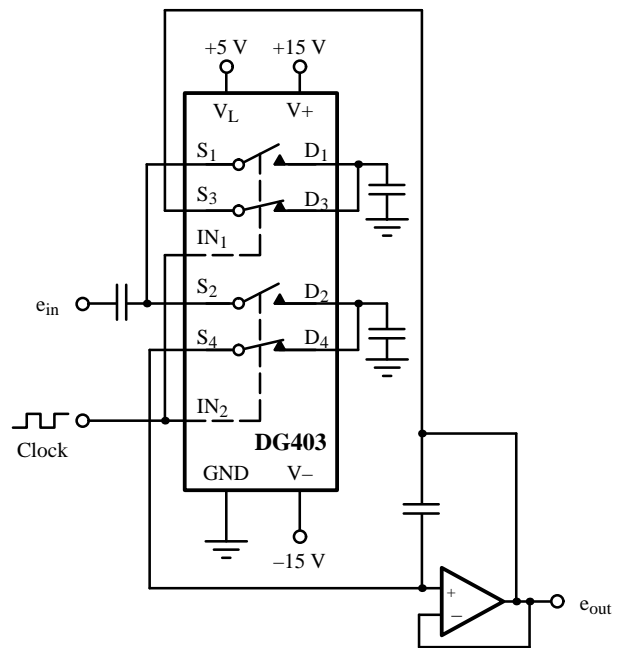


Figure 11. Band-Pass Switched Capacitor Filter

Applications (Cont'd)

Peak Detector:

A_3 acting as a comparator provides the logic drive for operating SW_1 . The output of A_2 is fed back to A_3 and compared to the analog input e_{in} . If $e_{in} > e_{out}$ the output of A_3 is high keeping SW_1 closed. This allows C_1 to charge

up to the analog input voltage. When e_{in} goes below e_{out} A_3 goes negative, turning SW_1 off. The system will therefore store the most positive analog input experienced.

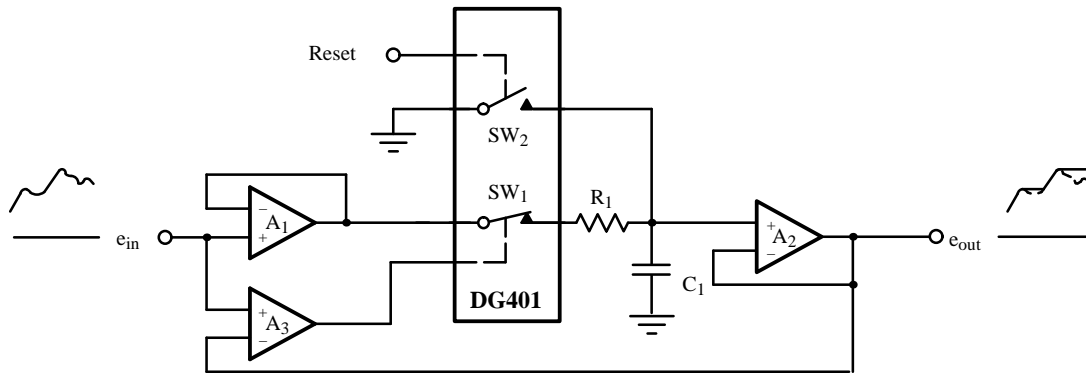


Figure 12. Positive Peak Detector