

Structure	Silicon Monolithic Integrated Circuit
Product series	7ch Power Driver for CD-ROM,DVD-ROM
Type	<b>BD7996EFV</b>
Function	<ul style="list-style-type: none"> <li>• The spindle driver and the SLED driver can highly effective drive with PWM drive system.</li> <li>• The actuator driver and the loading driver are liner BTL drive system and are achieving a low noise power.</li> </ul>

○Absolute maximum ratings

Parameter	Symbol	Limits	Unit
POWER MOS power supply voltage	SPVM1,2, SLRNF1,2	15 #1	V
Preblock/BTL powerblock power supply voltage	Vcc, SPVM_S, SLVDD, AVM	15	V
PWM control block power supply voltage	DVcc	7	V
Power dissipation	Pd	—	W
Operating temperature range	Topr	-20~75	°C
Storage temperature	Tstg	-55~150	°C
Joint part temperature	Tjmax	150	°C

#1 POWER MOS output terminals (15~18, 39, 42, 44pin) is contained.  
Reduce power by 20.8mW for each degree above 25°C.

○Recommended operating conditions(Ta=-20~+70°C)

[Set the power supply voltage taking allowable dissipation into considering]

Parameter	Symbol	MIN	TYP	MAX	Unit
Spindle driver powerblock Power supply voltage	SPVM1,2	—	Vcc#2	—	V
Sled motor driver powerblock Power supply voltage	SLRNF1,2	—	SLVDD#2	—	V
Preblock / Loading driver powerblock Power supply voltage	SPVM_S, SLVDD, Vcc	AVM	12	14	V
Actuator driver powerblock Power supply voltage	AVM	4.3	5.0	Vcc	V
PWM control block power supply voltage	DVcc	4.3	5.0	6.0	V
Spindle driver output current	Iosp	—	1.2	2.5#3	A
Actuator/sled motor/loading motor driver output current	Ioo	—	0.5	0.8	A

#2 Set the same supply voltage to SPVM\_S and SPVM1,2, to SLVDD and SLRNF1,2.

#3 The current is guaranteed 3.0A in case of the current is turned on/off in a duty-ratio of less than 1/10 with a maximum on-time of 5msec

This product described in this specification isn't judged whether it applies to COCOM regulations. Please confirm in case of export.  
This product isn't designed for protection against radioactive rays.

Application example

The application circuit is recommended for use. Make sure to confirm the adequacy of the characteristics.

When using the circuit with changes to the external circuit constants, make sure to leave an adequate margin for external components including static and transitional characteristics as well as dispersion of the IC.

Note that ROHM cannot provide adequate confirmation of patents.

The product described in this specification is designed to be used with ordinary electronic equipment or devices (such as audio-visual equipment, office-automation equipment, communications devices, electrical appliances, and electronic toys).

Should you intend to use this product with equipment or devices which require an extremely high level of reliability and the malfunction of which would directly endanger human life (such as medical instruments, transportation equipment, aerospace machinery, nuclear-reactor controllers, fuel controllers and other safety devices), please be sure to consult with our sales representative in advance.

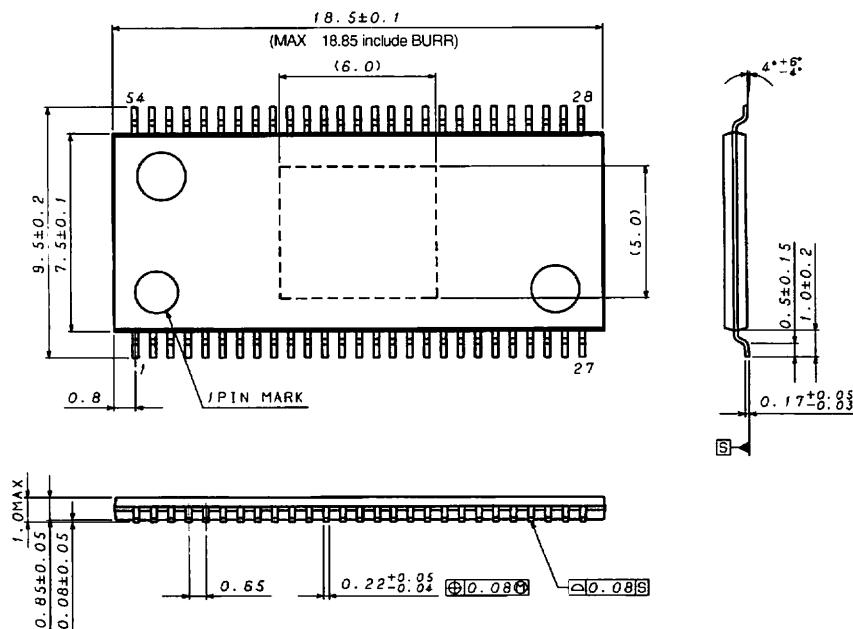
ROHM assumes no responsibility for use of any circuits described herein, conveys no license under any patent or other right, and makes no representation that the circuits are free from patent infringement.

○Electrical characteristics

(Unless otherwise noted, Ta=25°C, Vcc=SPVM\_S=SLVDD=12V, DVcc=AVM=5V, VC=1.65V, SPRNF=0.22Ω, SLRNF=0.5Ω, RL=8Ω, RLSP=2Ω)

Parameter		Symbol	MIN.	TYP.	MAX.	Unit	Condition
Circuit current	Quiescent current1	IQ1	—	12	20	mA	Vcc (Loading OFF)
	Quiescent current2	IQ2	—	5	9	mA	Vcc (Loading ON)
	Quiescent current3	IQ3	—	4	8.5	mA	DVcc
	Standby-on current1	IST1	—	—	0.4	mA	Vcc
	Standby-on current2	IST2	—	—	0.1	mA	DVcc
Sled driver block	Input dead zone (one side)	VDZSL	5	30	55	mV	
	Input output gain	gmSL	1.0	1.3	1.6	A/V	SLRNF=0.5Ω
	Output On resistor (top and bottom)	RONSL	—	2.6	3.7	Ω	IL=500mA
	Output limit current	ILIMSL	0.84	1.0	1.16	A	SLRNF=0.5Ω
	PWM frequency	fosc	—	100	—	kHz	
Spindle driver block	Input dead zone (one side)	VDZSP	0	10	40	mV	
	Input output gain	gmSP	1.24	1.54	1.84	A/V	SPRNF=0.22Ω
	Output On resistor (top and bottom)	RONSP	—	0.8	1.4	Ω	IL=500mA
	Output limit current	ILIMSP	1.2	1.5	1.8	A	SPRNF=0.22Ω
	PWM frequency	fosc	—	100	—	kHz	
Actuator driver block	Output offset voltage	VOFFT	-50	0	50	mV	
	Output saturation voltage	VOFT	—	0.9	1.6	V	IL=500mA
	Voltage gain	GVFT	16.0	17.5	19.0	dB	
Loading driver block	Output offset voltage	VOFLD	-50	0	50	mV	
	Output saturation voltage	VOLD	—	1.55	2.2	V	IL=500mA
	Voltage gain	GVLD	16.0	17.5	19.0	dB	
Others	VC drop-muting	VMVC	0.4	0.7	1.0	V	
	Vcc drop-muting	VMVcc	3.4	3.8	4.2	V	

○Package outlines

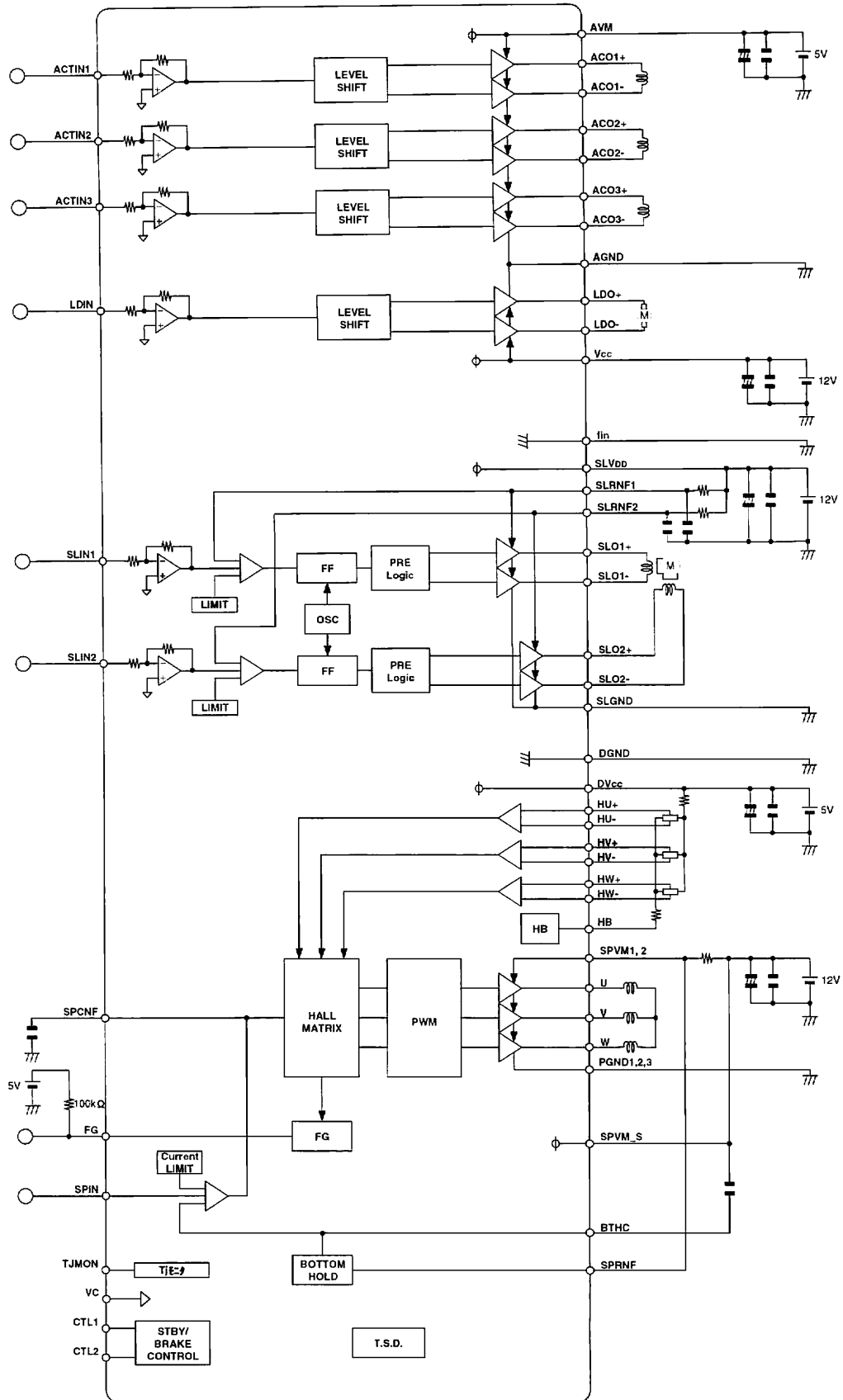


(UNIT : mm)

(UNIT : mm)

Figure No. ; EX196-6001

○Block diagram / Application circuit



### Notes

- No technical content pages of this document may be reproduced in any form or transmitted by any means without prior permission of ROHM CO.,LTD.
- The contents described herein are subject to change without notice. The specifications for the product described in this document are for reference only. Upon actual use, therefore, please request that specifications to be separately delivered.
- Application circuit diagrams and circuit constants contained herein are shown as examples of standard use and operation. Please pay careful attention to the peripheral conditions when designing circuits and deciding upon circuit constants in the set.
- Any data, including, but not limited to application circuit diagrams information, described herein are intended only as illustrations of such devices and not as the specifications for such devices. ROHM CO.,LTD. disclaims any warranty that any use of such devices shall be free from infringement of any third party's intellectual property rights or other proprietary rights, and further, assumes no liability of whatsoever nature in the event of any such infringement, or arising from or connected with or related to the use of such devices.
- Upon the sale of any such devices, other than for buyer's right to use such devices itself, resell or otherwise dispose of the same, no express or implied right or license to practice or commercially exploit any intellectual property rights or other proprietary rights owned or controlled by
- ROHM CO., LTD. is granted to any such buyer.
- Products listed in this document are no antiradiation design.

The products listed in this document are designed to be used with ordinary electronic equipment or devices (such as audio visual equipment, office-automation equipment, communications devices, electrical appliances and electronic toys).

Should you intend to use these products with equipment or devices which require an extremely high level of reliability and the malfunction of which would directly endanger human life (such as medical instruments, transportation equipment, aerospace machinery, nuclear-reactor controllers, fuel controllers and other safety devices), please be sure to consult with our sales representative in advance.

#### About Export Control Order in Japan

Products described herein are the objects of controlled goods in Annex 1 (Item 16) of Export Trade Control Order in Japan.

In case of export from Japan, please confirm if it applies to "objective" criteria or an "informed" (by MITI clause) on the basis of "catch all controls for Non-Proliferation of Weapons of Mass Destruction.

Thank you for your accessing to ROHM product informations.  
More detail product informations and catalogs are available,  
please contact your nearest sales office.

Please contact our sales offices for details ;

U.S.A / San Diego	TEL : +1(858)625-3630	FAX : +1(858)625-3670
Atlanta	TEL : +1(770)754-5972	FAX : +1(770)754-0691
Dallas	TEL : +1(972)312-8818	FAX : +1(972)312-0330
Germany / Dusseldorf	TEL : +49(2154)9210	FAX : +49(2154)921400
United Kingdom / London	TEL : +44(1)908-282-666	FAX : +44(1)908-282-528
France / Paris	TEL : +33(0)1 56 97 30 60	FAX : +33(0) 1 56 97 30 80
China / Hong Kong	TEL : +852(2)740-6262	FAX : +852(2)375-8971
Shanghai	TEL : +86(21)6279-2727	FAX : +86(21)6247-2066
Dilian	TEL : +86(411)8230-8549	FAX : +86(411)8230-8537
Beijing	TEL : +86(10)8525-2483	FAX : +86(10)8525-2489
Taiwan / Taipei	TEL : +866(2)2500-6956	FAX : +866(2)2503-2869
Korea / Seoul	TEL : +82(2)8182-700	FAX : +82(2)8182-715
Singapore	TEL : +65-6332-2322	FAX : +65-6332-5662
Malaysia / Kuala Lumpur	TEL : +60(3)7958-8355	FAX : +60(3)7958-8377
Philippines / Manila	TEL : +63(2)807-6872	FAX : +63(2)809-1422
Thailand / Bangkok	TEL : +66(2)254-4890	FAX : +66(2)256-6334

Japan /  
(Internal Sales)

Tokyo	2-1-1, Yaesu, Chuo-ku, Tokyo 104-0082	TEL : +81(3)5203-0321	FAX : +81(3)5203-0300
Yokohama	2-4-8, Shin Yokohama, Kohoku-ku, Yokohama, Kanagawa 222-8575	TEL : +81(45)476-2131	FAX : +81(45)476-2128
Nagoya	Dainagayo Building 9F 3-28-12, Meieki, Nakamura-ku, Nagoya, Aichi 450-0002	TEL : +81(52)581-8521	FAX : +81(52)561-2173
Kyoto	579-32 Higashi Shiokouji-cho, Karasuma Nishi-iru, Shiokoujidori, Shimogyo-ku, Kyoto 600-8216	TEL : +81(75)311-2121	FAX : +81(75)314-6559

(Contact address for overseas customers in Japan)

Yokohama	TEL : +81(45)476-9270	FAX : +81(045)476-9271
----------	-----------------------	------------------------