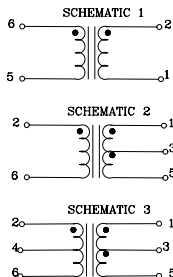
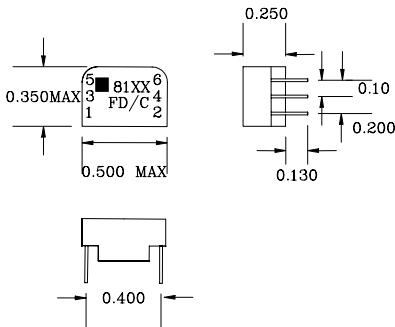


Units matched to leading transceiver IC's. Meet requirements for T1, E1, Cept and PRI ISDN over extended temperature range -40 to +85°C.

		TX	RX			TX	RX
<b>CRYSTAL</b>				<b>LUCENT TECHNOLOGIES</b>			
61574	T1 & E1	8102	8102	T7288	CEPT	8100	8102
61535A, 61574A, 61575, 6158A	T1	8101	8102	T7289	DS1	8101	8102
61535A, 61574A, 61575, 6158A	PCM-30,75	8103	8102	T7290A	T1 & CEPT	8100	8102
61535A, 61574A, 61575, 6158A	PCM-30,120	8105	8102	T7690	DS1	8101	8101
6152		8100	8102	T7690	E1	8100	8100
61581		8102	8102	T7693	DS1	8102	8102
61584, 61584A	IQ3	8102		<b>LEVEL ONE</b>			
61584, 61582, 61583	IQ5	8101	8101	LXT 300, LXT301, LXT 305		8102	8102
<b>DALLAS</b>				LXT 304A, LXT 305A	T1	8101	8102
DS2186, DS2187			8100 8102	LXT 304A, LXT 305A	PCM-30, 75	8103	8102
DS2151, DS2152, DS2153, DS2154	8101	8103		LXT 304A, LXT 305A	PCM-30,120	8105	8102
DS21352, DS21354	T1/E1	8102	8103	LXT 310, LXT 311		8102	8103
<b>EXAR</b>				LXT 318, LXT319		8102	8103
T5650, T5620, T5675, T5681, T5683		8102	8102	LXT 332		8102	8102
56LL22, 56L85, C240, C260, C262, C277	8102	8102		LXT 350/351/360/361/370	T1/E1	8102	8102
T5791, T5793, T5794, T5795		8105	8103	<b>ROCKWELL/BROOKTREE</b>			
T5684		8100	8102	UGA 510-1		8103	8102
T7288	CEPT1	8100	8102	BT8370		8100	8102
<b>PMC-SIERRA</b>				<b>VLSI</b>			
PM6341, PM6341		8100	8102	VP14Q574	T1	8101	8102
				VP14Q574	E1	8105	8102



### MECHANICAL AND SCHEMATIC (All dimensions in inches)



### ELECTRICAL SPECIFICATION @ 25°C

Part Number	Turns Ratio (Pri:Sec)	OCL (mH Min)	Inter winding Capacitance (pF Max)	Leakage Inductance (uH Max)	DCR (Ω Max)		Primary Pins	Schematic	Hipot (Vrms Min)
					PRI	SEC			
8100	1:1.36	1.20	35	0.80	0.90	1.20	5-6	1	1500
8101	1:1.15CT	1.50	40	0.80	0.90	1.00	2-6	2	1500
8102	1CT:2CT	1.20	50	0.60	1.00	2.00	2-6	3	1500
8103	1CT:1CT	1.20	40	1.00	1.00	1.00	1-5	3	1500
8104	1CT:3CT	1.20	60	0.80	0.90	2.70	1-5	3	1500
8105	1:1/1.26	1.50	50	0.80	0.90	1.10	2-6	2	1500