

**FEATURES**

- > 3.2Gbps operation
- Low noise CML data outputs
- Chatter-Free LOS generation
- Open Collector TTL LOS output
- TTL /EN Input
- Differential PECL inputs for data
- Single 3.3V or 5V power supply
- Designed for use with SY88922V and SY88905
- Available in a tiny 10-pin (3mm) MSOP

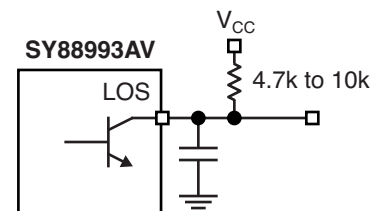
**APPLICATIONS**

- 1.25Gbps and 2.1Gbps Gigabit Ethernet
- 531Mbps, 1062Mbps and 2.5Gbps SONET/SDH Fibre Channel
- 622Mbps
- Gigabit interface converter (GBIC)
- Small form factor transceivers
- Parallel 10G Ethernet

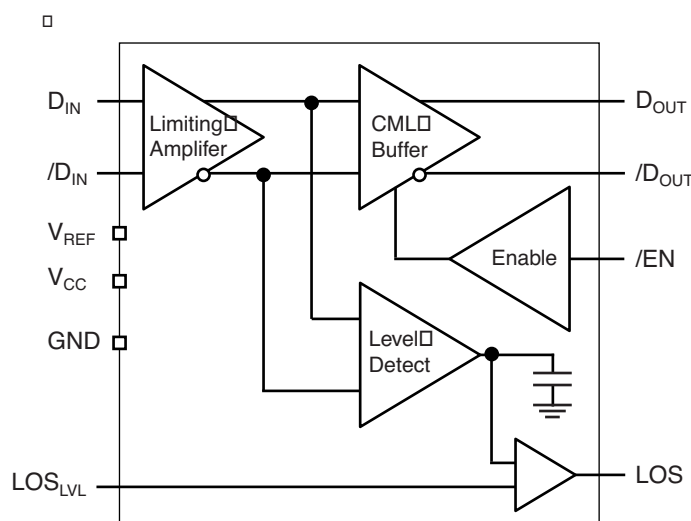
**DESCRIPTION**

The SY88993AV limiting post amplifier with its high and wide bandwidth is ideal for use as a post amplifier in fiber-optic receivers with data rates up to 3.2Gbps. Signals as small as 4mVp-p can be amplified to drive devices with CML inputs or AC coupled PECL inputs. The SY88993AV generates a chatter-free Loss of Signal (LOS) open collector TTL output.

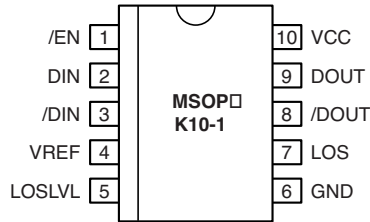
The SY88993AV incorporates a programmable level detect function to identify when the input signal has been lost. This information can be fed back to the /EN input of the device to maintain stability under loss of signal conditions. Using LOS<sub>LVL</sub> pin the sensitivity of the level detect can be adjusted. The LOS<sub>LVL</sub> voltage can be set by connecting a resistor divider between V<sub>CC</sub> and V<sub>REF</sub>, Figure 3.



**BLOCK DIAGRAM**



**PACKAGE/ORDERING INFORMATION**



**10-Pin MSOP (K10-1)**

**Ordering Information**

Part Number	Package Type	Operating Range	Package Marking	Lead Finish
SY88993AVKI	K10-1	Industrial	993AV	Sn-Pb
SY88993AVKITR <sup>(1)</sup>	K10-1	Industrial	993AV	Sn-Pb
SY88993AVKGG	K10-1	Industrial	993AV with Pb-Free bar-line indicator	Pb-Free NiPdAu
SY88993AVKGGTR <sup>(1)</sup>	K10-1	Industrial	993AV with Pb-Free bar-line indicator	Pb-Free NiPdAu

**Note:**

1. Tape and Reel.

**PIN NAMES**

Pin	Type	Function
D <sub>IN</sub>	Data Input	Data Input
/D <sub>IN</sub>	Data Input	Inverting Data Input
LOS <sub>LVL</sub>	Input	Loss of Signal Level Set
/EN	TTL Input	Output Enable (Active Low)
LOS	TTL Output (Open Collector)	Loss of Signal Indicator (Active High)
GND	Ground	Ground
D <sub>OUT</sub>	CML Output	Data Output
/D <sub>OUT</sub>	CML Output	Inverting Data Output
V <sub>CC</sub>	Power Supply	Positive Power Supply
V <sub>REF</sub>	Output	Reference Voltage Output for LOS Level Set (see Fig. 3)

**GENERAL DESCRIPTION**

**General**

The SY88993AV is an integrated limiting amplifier intended for high-frequency fiber-optic applications. The circuit connects to typical transimpedance amplifiers found within a fiber-optics link. The linear signal output from a transimpedance amplifier can contain significant amounts of noise, and may vary in amplitude over time. The SY88993AV limiting amplifier quantizes the signal and outputs a voltage-limited waveform.

The /EN pin allows the user to disable the output signal without removing the input signal.

**ABSOLUTE MAXIMUM RATINGS<sup>(1)</sup>**

Symbol	Rating	Value	Unit
V <sub>CC</sub>	Power Supply Voltage	0 to +7.0	V
D <sub>IN</sub> , /D <sub>IN</sub>	Input Voltage	0 to V <sub>CC</sub>	V
T <sub>A</sub>	Operating Temperature Range	-40 to +85	°C
T <sub>STORE</sub>	Storage Temperature Range	-55 to +85	°C

- Note:**
1. Permanent device damage may occur if absolute maximum ratings are exceeded. This is a stress rating only and functional operation is not implied at conditions other than those detailed in the operational sections of this data sheet. Exposure to absolute maximum rating conditions for extended periods may affect device reliability.

**DC ELECTRICAL CHARACTERISTICS**
 $V_{CC} = +3.3V \pm 10\%$  or  $+5V \pm 10\%$ ,  $R_{LOAD} = 50\Omega$  to  $V_{CC}$ 

Symbol	Parameter	$T_A = -40^\circ\text{C}$		$T_A = 0^\circ\text{C}$		$T_A = +25^\circ\text{C}$			$T_A = +85^\circ\text{C}$		Unit
		Min.	Max.	Min.	Max.	Min.	Typ.	Max.	Min.	Max.	
$I_{CC}$	Power Supply Current <sup>(1)</sup>	—	55	—	55	—	43	55	—	65	mA
	5V 3.3V	—	50	—	50	—	40	50	—	60	
$I_{IL}$	/EN Input LOW Current	-0.3 <sup>(4)</sup>	—	-0.3 <sup>(4)</sup>	—	-0.3 <sup>(4)</sup>	—	—	-0.3 <sup>(4)</sup>	—	mA
$I_{IH}$	/EN Input HIGH Current	—	20 <sup>(5)</sup>	—	20 <sup>(5)</sup>	—	—	20 <sup>(5)</sup>	—	20 <sup>(5)</sup>	$\mu\text{A}$
		—	100 <sup>(6)</sup>	—	100 <sup>(6)</sup>	—	—	100 <sup>(6)</sup>	—	100 <sup>(6)</sup>	
$I_{OH}$	LOS Output Leakage <sup>(2)</sup>	—	100	—	100	—	—	100	—	100	$\mu\text{A}$
$LOS_{LVL}$	$LOS_{LVL}$ Level	$V_{REF}$	$V_{CC}$	$V_{REF}$	$V_{CC}$	$V_{REF}$	—	$V_{CC}$	$V_{REF}$	$V_{CC}$	V
$V_{OL}$	LOS Output Low Level <sup>(3)</sup>	—	0.5	—	0.5	—	—	0.5	—	0.5	V
$V_{REF}$	Reference Voltage	$V_{CC} - 1.38$	$V_{CC} - 1.26$	$V_{CC} - 1.38$	$V_{CC} - 1.26$	$V_{CC} - 1.38$	$V_{CC} - 1.32$	$V_{CC} - 1.26$	$V_{CC} - 1.38$	$V_{CC} - 1.26$	V
$V_{IH}$	/EN Input HIGH Voltage	2.0	—	2.0	—	2.0	—	—	2.0	—	V
$V_{IL}$	/EN Input LOW Voltage	—	—	0.8	—	0.8	—	—	0.8	—	V
$V_{OFFSET}$	Differential Output Offset	—	$\pm 80$	—	$\pm 80$	—	$\pm 9$	$\pm 80$	—	$\pm 80$	mV
$V_{CMR}$	Common Mode Range	$\text{GND} \pm 2$	$V_{CC} - 0.2$	$\text{GND} \pm 2$	$V_{CC} - 0.2$	$\text{GND} \pm 2$	—	$V_{CC} - 0.2$	$\text{GND} \pm 2$	$V_{CC} - 0.2$	V

**Notes:**

1. No output load.
2.  $V_{OH} = 5.5V$ .
3.  $I_{OL} = +2\text{mA}$ .
4.  $V_{IN} = 0.5V$ .
5.  $V_{IN} = 2.7V$ .
6.  $V_{IN} = V_{CC}$ .

## AC ELECTRICAL CHARACTERISTICS

$V_{CC} = +3.3V \pm 10\%$  or  $+5V \pm 10\%$ ,  $R_{LOAD} = 50\Omega$  to  $V_{CC}$

Symbol	Parameter	$T_A = -40^\circ C$		$T_A = 0^\circ C$		$T_A = +25^\circ C$			$T_A = +85^\circ C$		Unit
		Min.	Max.	Min.	Max.	Min.	Typ.	Max.	Min.	Max.	
HYS	LOS Hysteresis	2	8	2	8	2	4.6	8	2	8	dB
PSRR	Power Supply <sup>(1)</sup> Rejection Ratio	—	—	—	—	—	35	—	—	—	dB
$t_{OFFL}$	LOS Release Time <sup>(2)</sup> Minimum Input	—	0.5	—	0.5	—	0.1	0.5	—	0.5	$\mu s$
$t_{OFFH}$	LOS Release Time <sup>(2)</sup> Maximum Input	—	0.5	—	0.5	—	0.1	0.5	—	0.5	$\mu s$
$t_{ONL}$	LOS Assert Time <sup>(2)</sup>	—	0.5	—	0.5	—	0.2	0.5	—	0.5	$\mu s$
$t_r$ $t_f$	Differential Output <sup>(3)</sup> Rise/Fall Time (20%-80%)	—	120	—	120	—	60	120	—	120	ps
$V_{ID}$	Input Voltage Range	4	1800	4	1800	4	—	1800	4	1800	mV <sub>PP</sub>
$V_{OD}$	Differential Output Voltage Swing <sup>(4)</sup>	600	—	600	—	600	800 <sup>(5)</sup>	1200	600	—	mV <sub>PP</sub>
$V_{SR}$	LOS Sensitivity Range	4	50	4	50	4	—	50	4	50	mV <sub>PP</sub>

### Output Spec ( $D_{OUT}$ and $/D_{OUT}$ )

$V_{OH}$	Output HIGH Voltage	$V_{CC} - 20$	$V_{CC}$	$V_{CC} - 20$	$V_{CC}$	$V_{CC} - 20$	$V_{CC} - 5$	$V_{CC}$	$V_{CC} - 20$	$V_{CC}$	mV
$V_{OL}$	Output LOW Voltage <sup>(6)</sup>	—	$V_{CC} - 300$	—	$V_{CC} - 300$	—	$V_{CC} - 400$	$V_{CC} - 300$	—	$V_{CC} - 300$	mV
$Z_O$	Single-Ended Output <sup>(7)</sup> Impedance	40	60	40	60	40	50	60	40	60	$\Omega$

### Input Spec ( $D_{IN}$ and $/D_{IN}$ )

$A_{V(Diff)}$	Differential Voltage Gain	—	—	—	—	—	39	—	—	—	dB
$B_{-3dB}$	3dB Bandwidth	—	—	—	—	—	2.5	—	—	—	GHz
$S_{21}$	Single-Ended Small Signal-Gain	26	—	26	—	26	33	—	26	—	dB

#### Notes:

- Input referred noise = RMS output noise/low frequency gain. Input referred, 55MHz.
- Input is a 200MHz square wave,  $t_r < 300ps$ ,  $1.8V_{PP}$ .
- With input signal  $V_{ID} > 50mV_{PP}$  with  $50\Omega$  load.
- Input is a 200MHz square wave,  $t_r < 300ps$ ,  $50\Omega$  load.
- $V_{ID} > 10mV_{PP}$ .
- Output levels are based on  $50\Omega$  impedance. If the load impedance is different, the output level will be changed.
- See output structure.

**APPLICATION NOTE**

**Output Termination**

The SY88993AV outputs must be terminated with a 50Ω load to VCC.

**Layout and PCB Design**

Since the SY88993AV is a high-frequency component, performance can largely be determined by board layout and design. A common problem with high-gain amplifiers is feedback from the large swing outputs to the input via power supply.

The SY88993AV ground pin should be connected to the circuit board ground. Use multiple PCB vias close to the part to connect to ground. Avoid long, inductive runs which can degrade performance.

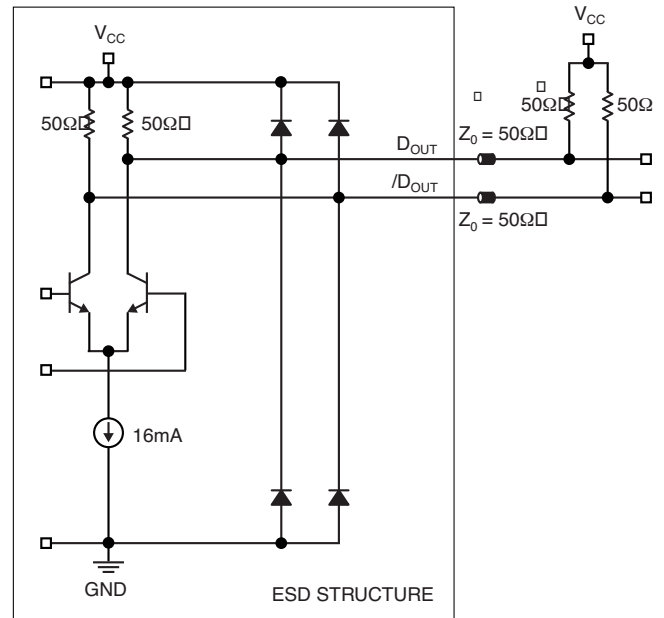


Figure 2. Differential Output Configuration

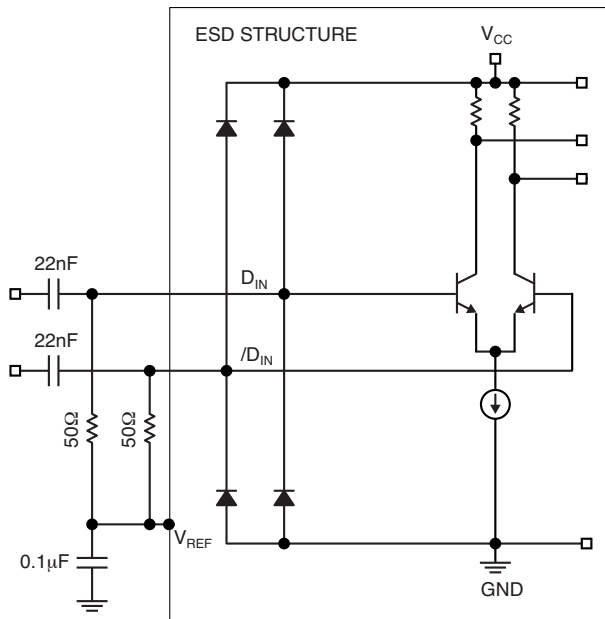
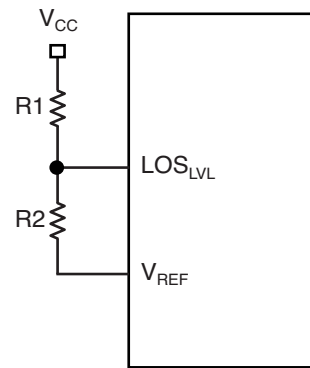


Figure 1. Differential Input Configuration



**NOTES:**

1. Resistor Divider =  $R2 / (R1 + R2)$
2.  $R1 + R2 \geq 5k\Omega$

Figure 3. LOS<sub>LVL</sub> Circuit

**PERFORMANCE CURVE**

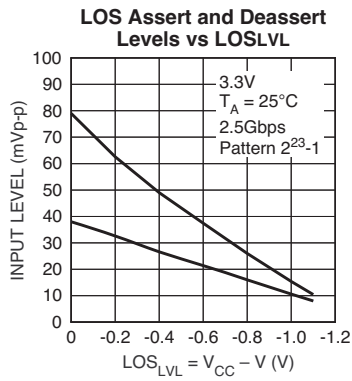


Figure 4.

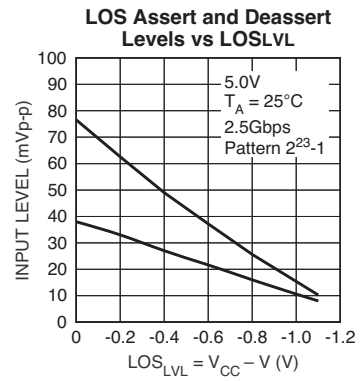


Figure 5.

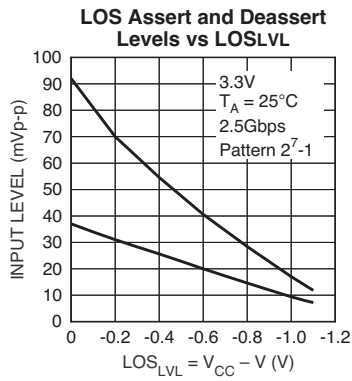


Figure 6.

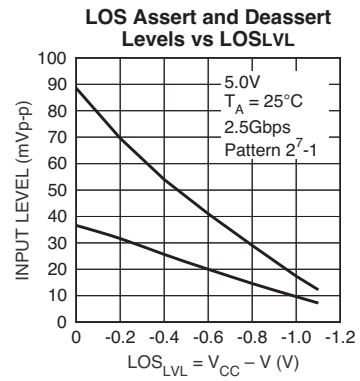
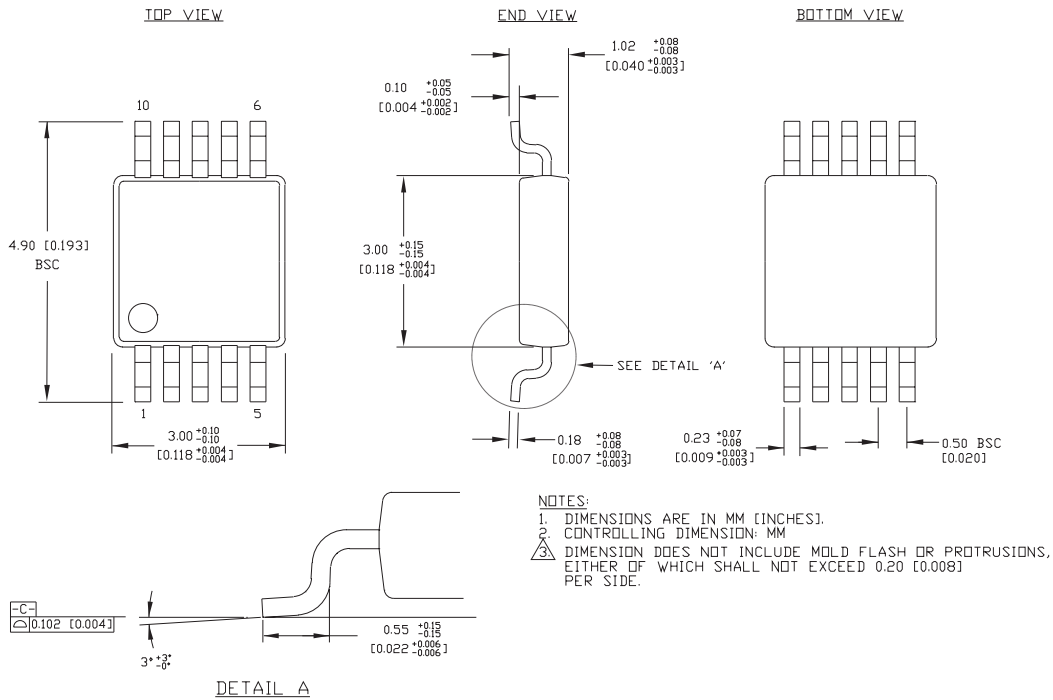


Figure 7.



**10 LEAD MSOP (K10-1)**



Rev. 00

**MICREL, INC. 2180 FORTUNE DRIVE SAN JOSE, CA 95131 USA**

TEL + 1 (408) 944-0800 FAX + 1 (408) 474-1000 WEB <http://www.micrel.com>

The information furnished by Micrel in this datasheet is believed to be accurate and reliable. However, no responsibility is assumed by Micrel for its use. Micrel reserves the right to change circuitry and specifications at any time without notification to the customer.

Micrel Products are not designed or authorized for use as components in life support appliances, devices or systems where malfunction of a product can reasonably be expected to result in personal injury. Life support devices or systems are devices or systems that (a) are intended for surgical implant into the body or (b) support or sustain life, and whose failure to perform can be reasonably expected to result in a significant injury to the user. A Purchaser's use or sale of Micrel Products for use in life support appliances, devices or systems is at Purchaser's own risk and Purchaser agrees to fully indemnify Micrel for any damages resulting from such use or sale.

© 2005 Micrel, Incorporated.