



ELECTRONICS, INC.  
 44 FARRAND STREET  
 BLOOMFIELD, NJ 07003  
 (973) 748-5089  
<http://www.nteinc.com>



## NTE30111 LED – Dual Color 3mm Super Fresh Red/Super Blue

**Features:**

- RoHS Compliant
- Water Clear

**Absolute Maximum Ratings:** ( $T_A = +25^{\circ}\text{C}$  unless otherwise specified)

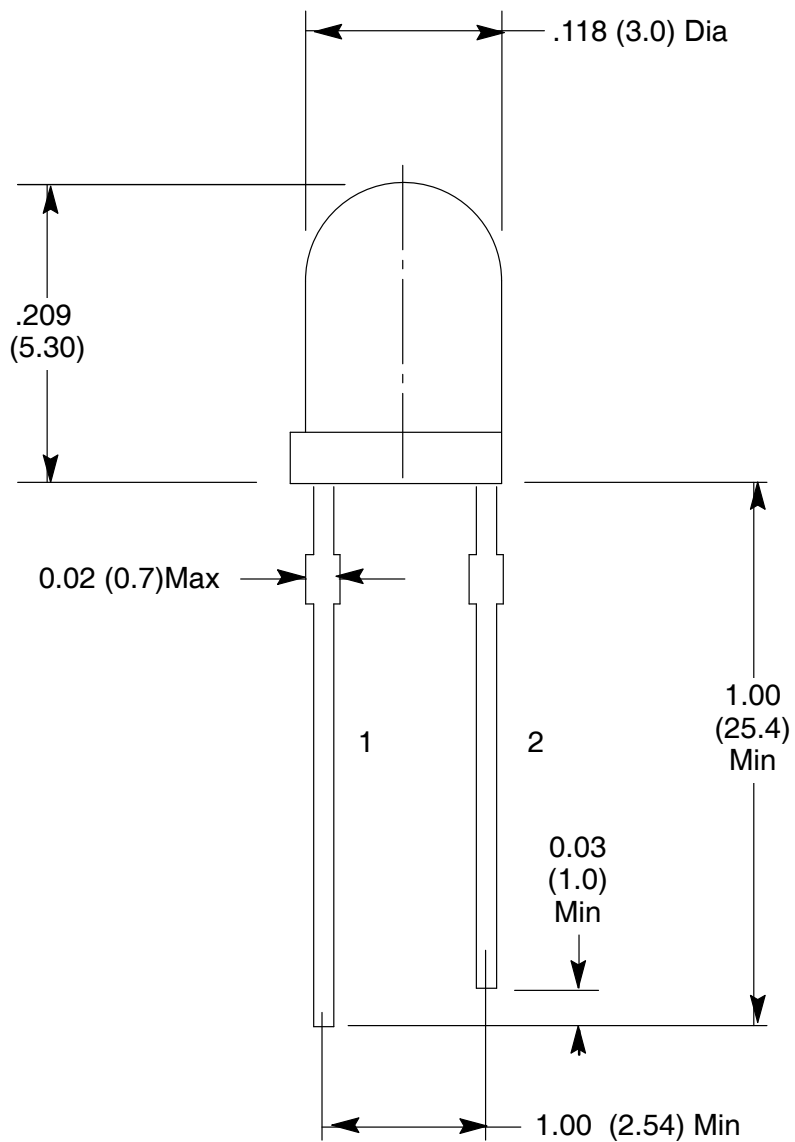
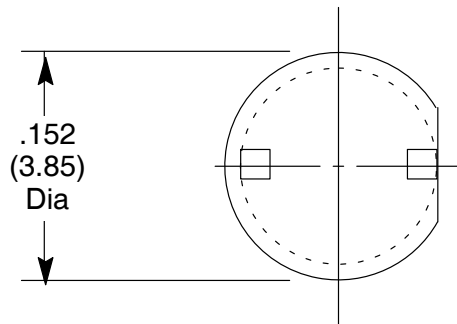
Power Dissipation, $P_d$		
Super Fresh Red	100mW	
Super Blue	120mW	
Continuous Forward Current, $I_F$	25mA	
Peak Forward Current (1/10 Duty Ratio, 0.1ms Pulse Width), $I_{FM}$		
Super Fresh Red	50mA	
Super Blue	100mA	
Electrostatic Discharge ( <b>Super Blue Only</b> ), ESD	150V	
LED Junction Temperature, $T_j$	+100°C	
Operating Temperature Range, $T_{opr}$	-25°C to +85°C	
Storage Temperature Range, $T_{stg}$	-40°C to +100°C	
DIP Soldering Temperature (During Soldering, 3mm from body, 5sec max), $T_L$	+260°C	

**Electro-Optical Characteristics:** ( $T_A = +25^{\circ}\text{C}$  unless otherwise specified)

Parameter	Symbol	Test Conditions	Min	Typ	Max	Unit
View Angle of Half Power	$2\theta_{1/2}$	$I_F = 20\text{mA}$	-	15	-	deg
Forward Voltage	VF	$I_F = 20\text{mA}$	-	2.00	2.50	V
Super Fresh Red				3.70	4.20	V
Luminous Intensity (Note 1)	IV	$I_F = 20\text{mA}$	500	800	-	mcd
Super Fresh Red				650	-	mcd
Super Blue						
Peak Emission Wavelength	$\lambda_p$	$I_F = 20\text{mA}$	-	635	-	nm
Super Fresh Red				468	-	nm
Super Blue						
Dominate Wave Length (Note 2)	$\lambda_d(\text{HUE})$	$I_F = 20\text{mA}$	-	626	-	nm
Super Fresh Red				470	-	nm
Super Blue						

Note 1. Luminous intensity is measured with an Exeltron 2001, Tolerance = 30%.

Note 2. The dominate wavelength,  $\lambda_d$ , is derived from the CIE Chromaticity Diagram and represents the color of the device.



- 1. Red -
- 2. Blue -