



ELECTRONICS, INC.
 44 FARRAND STREET
 BLOOMFIELD, NJ 07003
 (973) 748-5089
<http://www.nteinc.com>



NTE30106 LED – Dual Color 5mm Super Fresh Red/Super Yellow Green

Features:

- RoHS Compliant
- Water Clear

Absolute Maximum Ratings: ($T_A = +25^\circ\text{C}$ unless otherwise specified)

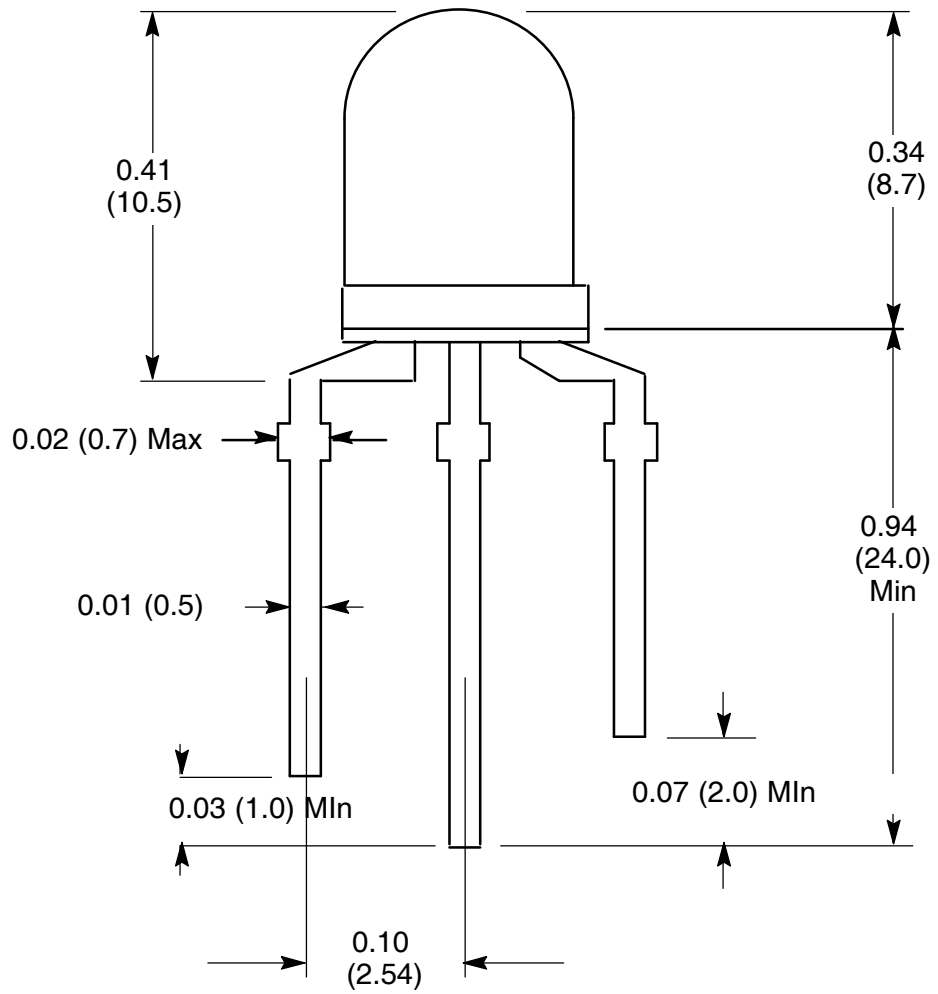
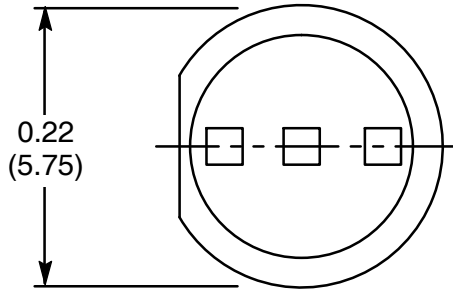
Power Dissipation, P_d	100mW
Continuous Forward Current, I_F	25mA
Peak Forward Current (1/10 Duty Ratio, 0.1ms Pulse Width), I_{FM}	
Super Fresh Red	50mA
Super Yellow Green	80mA
Reverse Voltage, V_R	5V
LED Junction Temperature, T_j	+100°C
Operating Temperature Range, T_{opr}	-25°C to +85°C
Storage Temperature Range, T_{stg}	-40°C to +100°C
DIP Soldering Temperature (During Soldering, 3mm from body, 5sec max), T_L	+260°C

Electro-Optical Characteristics: ($T_A = +25^\circ\text{C}$ unless otherwise specified)

Parameter	Symbol	Test Conditions	Min	Typ	Max	Unit
View Angle of Half Power	$2\theta_{1/2}$	$I_F = 20\text{mA}$	-	20	-	deg
Forward Voltage	VF	$I_F = 20\text{mA}$	-	2.00	2.50	V
Super Fresh Red				2.20	2.50	V
Reverse Current	IR	$V_R = 5\text{V}$	-	-	10	μA
Luminous Intensity (Note 1)	IV	$I_F = 20\text{mA}$	700	1500	-	mcd
Super Fresh Red				800	-	mcd
Peak Emission Wavelength	λ_p	$I_F = 20\text{mA}$	-	635	-	nm
Super Fresh Red				575	-	nm
Dominant Wave Length (Note 2)	$\lambda_d(\text{HUE})$	$I_F = 20\text{mA}$	-	626	-	nm
Super Fresh Red				572	-	nm

Note 1. Luminous intensity is measured with an Exeltron 2001, Tolerance = 30%.

Note 2. The dominant wavelength, λ_d , is derived from the CIE Chromaticity Diagram and represents the color of the device.



1. Red +
2. Common Lead -
3. Green +