

March 1997

Features

- Fully Static Operation
- Industry Standard 1024 x 4 Pinout (Same as Pinouts for 6514, 2114, 9114, and 4045 Types)
- Common Data Input and Output
- Memory Retention for Standby Battery Voltage as Low

as 2V Min

- All Inputs and Outputs Directly TTL Compatible
- Three-State Outputs
- Low Standby and Operating Power

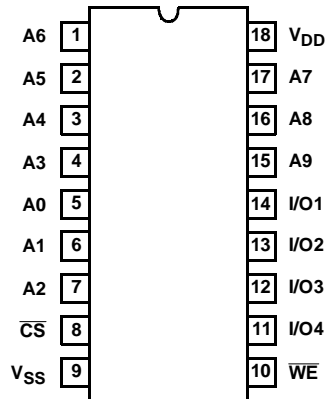
Description

Ordering Information

200ns	250ns	300ns	TEMPERATURE RANGE	PACKAGE	PKG. NO.
MWS5114E3	MWS5114E2 MWS5114E2X	MWS5114E1	0°C to +70°C	PDIP Burn-In	E18.3 E18.3
MWS5114D3 MWS5114D3X	MWS5114D2	MWS5114D1	0°C to +70°C	SBDIP Burn-In	D18.3 D18.3

Pinout

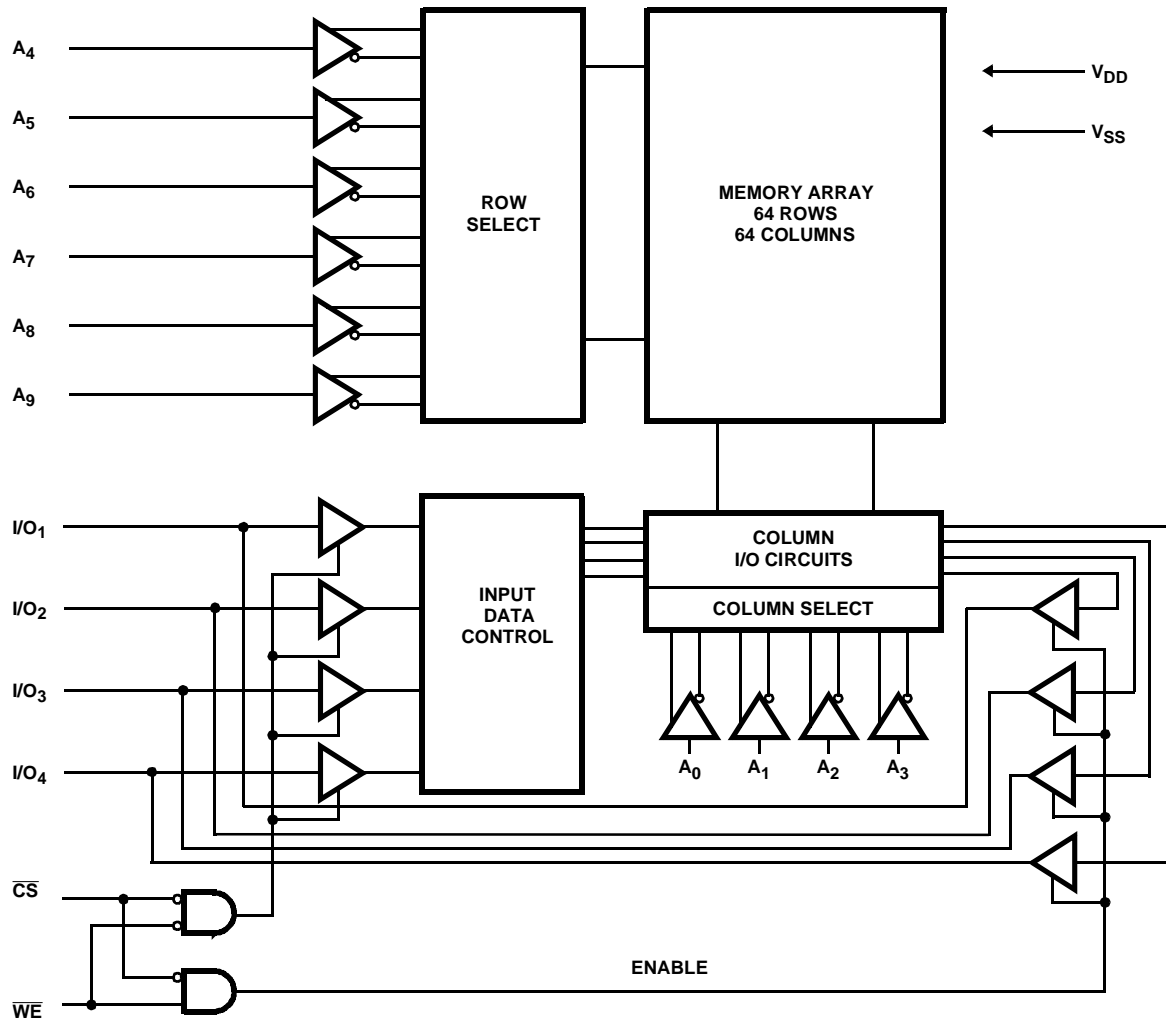
**MWS5114
(PDIP, SBDIP)
TOP VIEW**



OPERATIONAL MODES

FUNCTION	\overline{CS}	\overline{WE}	DATA PINS
Read	0	1	Output: Dependent on data
Write	0	0	Input
Not Selected	1	X	High Impedance

Functional Block Diagram



MWS5114

Absolute Maximum Ratings

DC Supply Voltage Range, (V_{DD})
 (All Voltages Referenced to V_{SS} Terminal) -0.5V to +7V
 Input Voltage Range, All Inputs -0.5V to $V_{DD} + 0.5V$
 DC Input Current, Any One Input $\pm 10mA$

Thermal Information

Thermal Resistance (Typical) θ_{JA} ($^{\circ}C/W$) θ_{JC} ($^{\circ}C/W$)
 Plastic DIP Package 75 N/A
 SBDIP Package 75 20
 Operating Temperature Range (T_A)
 Package Type D -55 $^{\circ}C$ to +125 $^{\circ}C$
 Package Type E -40 $^{\circ}C$ to +85 $^{\circ}C$
 Maximum Storage Temperature Range (T_{STG}) . . . -65 $^{\circ}C$ to +150 $^{\circ}C$
 Maximum Junction Temperature
 Ceramic Package +175 $^{\circ}C$
 Plastic Package +150 $^{\circ}C$
 Maximum Lead Temperature +265 $^{\circ}C$

Recommended Operating Conditions

At T_A = Full Package Temperature Range. For maximum reliability, operating conditions should be selected so that operation is always within the following ranges:

PARAMETER	LIMITS		UNITS
	ALL TYPES		
	MIN	MAX	
DC Operating Voltage Range	4.5	6.5	V
Input Voltage Range	V_{SS}	V_{DD}	V

Static Electrical Specifications

At $T_A = 0^{\circ}C$ to +70 $^{\circ}C$, $V_{DD} = \pm 5\%$, Except as Noted

PARAMETER	SYMBOL	CONDITIONS			LIMITS									UNITS
		V_O (V)	V_{IN} (V)	V_{DD} (V)	MWS5114-3			MWS5114-2			MWS5114-1			
					MIN	(NOTE 1) TYP	MAX	MIN	(NOTE 1) TYP	MAX	MIN	(NOTE 1) TYP	MAX	
Quiescent Device Current	I_{DD}	-	0, 5	5	-	75	100	-	75	100	-	75	250	μA
Output Low (Sink) Current	I_{OL}	0.4	0, 5	5	2	4	-	2	4	-	2	4	-	mA
Output High (Source) Current	I_{OH}	4.6	0, 5	5	-0.4	-1	-	-0.4	-1	-	-0.4	-1	-	mA
Output Voltage Low-Level	V_{OL}	-	0, 5	5	-	0	0.1	-	0	0.1	-	0	0.1	V
Output Voltage High-Level	V_{OH}	-	0, 5	5	4.9	5	-	4.9	5	-	4.9	5	-	V
Input Low Voltage	V_{IL}	0.5, 4.5	-	5	-	1.2	0.8	-	1.2	0.8	-	1.2	0.8	V
Input High Voltage	V_{IH}	0.5, 4.5	-	5	2.4	-	-	2.4	-	-	2.4	-	-	V
Input Leakage Current (Note 2)	I_{IN}	-	0, 5	5	-	± 0.1	± 5	-	± 0.1	± 5	-	± 0.1	± 5	μA
Operating Current (Note 3)	I_{DD1}	-	0, 5	5	-	4	8	-	4	8	-	4	8	mA

MWS5114

Static Electrical Specifications At $T_A = 0^\circ\text{C}$ to $+70^\circ\text{C}$, $V_{DD} = \pm 5\%$, Except as Noted (Continued)

PARAMETER	SYMBOL	CONDITIONS			LIMITS									UNITS
		V_O (V)	V_{IN} (V)	V_{DD} (V)	MWS5114-3			MWS5114-2			MWS5114-1			
					MIN	(NOTE 1) TYP	MAX	MIN	(NOTE 1) TYP	MAX	MIN	(NOTE 1) TYP	MAX	
Three-State Output Leakage Current (Note 4)	I_{OUT}	0, 5	0, 5	5	-	± 0.5	± 5	-	± 0.5	± 5	-	± 0.5	± 5	μA
Input Capacitance	C_{IN}	-	-	-	-	5	7.5	-	5	7.5	-	5	7.5	pF
Output Capacitance	C_{OUT}	-	-	-	-	10	15	-	10	15	-	10	15	pF

NOTES:

1. Typical values are for $T_A = 25^\circ\text{C}$ and nominal V_{DD} .
2. All inputs in parallel.
3. Outputs open circuited; cycle time = $1\mu\text{s}$.
4. All outputs in parallel.

MWS5114

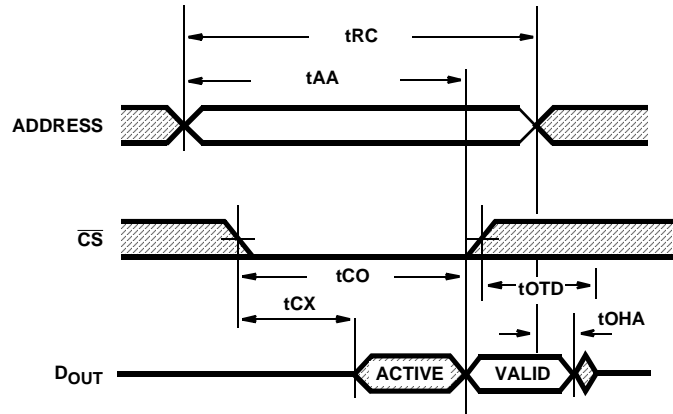
Dynamic Electrical Specifications at $T_A = 0^\circ\text{C}$ to $+70^\circ\text{C}$, $V_{DD} = 5V \pm 5\%$, Input $t_R, t_F = 10\text{ns}$; $C_L = 50\text{pF}$ and 1 TTL Load

PARAMETER	SYMBOL	LIMITS									UNITS
		MWS5114-3			MWS5114-2			MWS5114-1			
		(NOTE 1) MIN	(NOTE 2) TYP	MAX	(NOTE 1) MIN	(NOTE 2) TYP	MAX	(NOTE 1) MIN	(NOTE 2) TYP	MAX	
READ CYCLE TIMES (FIGURE 1)											
Read Cycle	tRC	200	160	-	250	200	-	300	250	-	ns
Access from Address	tAA	-	160	200	-	200	250	-	250	300	ns
Chip Selection to Output Valid	tCO	-	110	150	-	150	200	-	200	250	ns
Chip Selection to Output Active	tCX	20	100	-	20	100	-	20	100	-	ns
Output Three-State from Deselection	tOTD	-	75	125	-	75	125	-	75	125	ns
Output Hold from Address Change	tOHA	50	100	-	50	100	-	50	100	-	ns
WRITE CYCLE TIMES (FIGURE 2)											
Write Cycle	tWC	200	160	-	250	200	-	300	220	-	ns
Write	tW	125	100	-	150	120	-	200	140	-	ns
Write Release	tWR	50	40	-	50	40	-	50	40	-	ns
Address to Chip Select Setup Time	\overline{tACS}	0	0	-	0	0	-	0	0	-	ns
Address to Write Setup Time	\overline{tAW}	25	20	-	50	40	-	50	40	-	ns
Data to Write Setup Time	tDSU	75	50	-	75	50	-	75	50	-	ns
Data Hold from Write	tDH	30	10	-	30	10	-	30	10	-	ns

NOTES:

1. Time required by a limit device to allow for the indicated function.
2. Typical values are for $T_A = 25^\circ\text{C}$ and nominal V_{DD} .

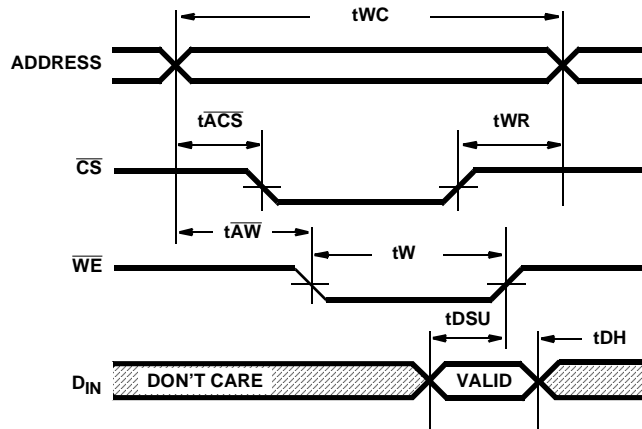
MWS5114



NOTE:

1. \overline{WE} is high during the Read Cycle. Timing measurement reference level is 1.5V.

FIGURE 1. READ CYCLE TIMING WAVEFORMS



NOTE:

1. \overline{WE} is low during the Write Cycle. Timing measurement reference level is 1.5V.

FIGURE 2. WRITE CYCLE TIMING WAVEFORMS

Data Retention Specifications at $T_A = 0^\circ\text{C}$ to $+70^\circ\text{C}$; See Figure 3

PARAMETER	SYMBOL	TEST CONDITIONS		LIMITS			UNITS	
		V_{DR} (V)	V_{DD} (V)	ALL TYPES				
				MIN	(NOTE 1) TYP	MAX		
Minimum Data Retention Voltage	VDR	-	-	2	-	-	V	
Data Retention Quiescent Current	MWS5114-3	IDD	2	-	-	25	50	μA
	MWS5114-2		2	-	-	25	50	μA
	MWS5114-1		2	-	-	60	125	μA
Chip Deselect to Data Retention Time	tCDR	-	5	300	-	-	ns	
Recovery to Normal Operation Time	tRC	-	5	300	-	-	ns	
V_{DD} to V_{DR} Rise and Fall Time	t _R , t _F	2	5	1	-	-	μs	

MWS5114

Data Retention Specifications at $T_A = 0^{\circ}\text{C}$ to $+70^{\circ}\text{C}$; See Figure 3

PARAMETER	SYMBOL	TEST CONDITIONS		LIMITS			UNITS
		V_{DR} (V)	V_{DD} (V)	ALL TYPES			
				MIN	(NOTE 1) TYP	MAX	

NOTE:

1. Typical Values are for $T_A = 25^{\circ}\text{C}$ and nominal V_{DD} .

All Intersil U.S. products are manufactured, assembled and tested utilizing ISO9000 quality systems. Intersil Corporation's quality certifications can be viewed at www.intersil.com/design/quality

Intersil products are sold by description only. Intersil Corporation reserves the right to make changes in circuit design, software and/or specifications at any time without notice. Accordingly, the reader is cautioned to verify that data sheets are current before placing orders. Information furnished by Intersil is believed to be accurate and reliable. However, no responsibility is assumed by Intersil or its subsidiaries for its use; nor for any infringements of patents or other rights of third parties which may result from its use. No license is granted by implication or otherwise under any patent or patent rights of Intersil or its subsidiaries.

For information regarding Intersil Corporation and its products, see www.intersil.com

Sales Office Headquarters

NORTH AMERICA

Intersil Corporation
7585 Irvine Center Drive
Suite 100
Irvine, CA 92618
TEL: (949) 341-7000
FAX: (949) 341-7123

Intersil Corporation
2401 Palm Bay Rd.
Palm Bay, FL 32905
TEL: (321) 724-7000
FAX: (321) 724-7946

EUROPE

Intersil Europe Sarl
Ave. William Graisse, 3
1006 Lausanne
Switzerland
TEL: +41 21 6140560
FAX: +41 21 6140579

ASIA

Intersil Corporation
Unit 1804 18/F Guangdong Water Building
83 Austin Road
TST, Kowloon Hong Kong
TEL: +852 2723 6339
FAX: +852 2730 1433

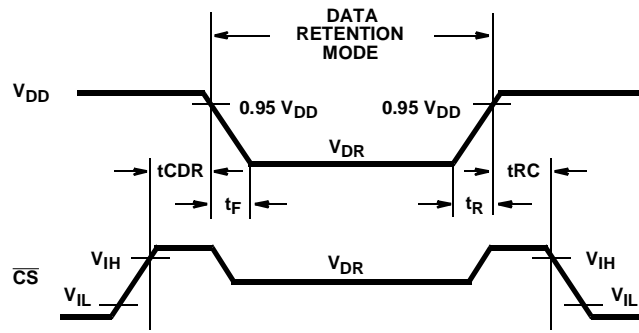


FIGURE 3. LOW V_{DD} DATA RETENTION TIMING WAVEFORMS