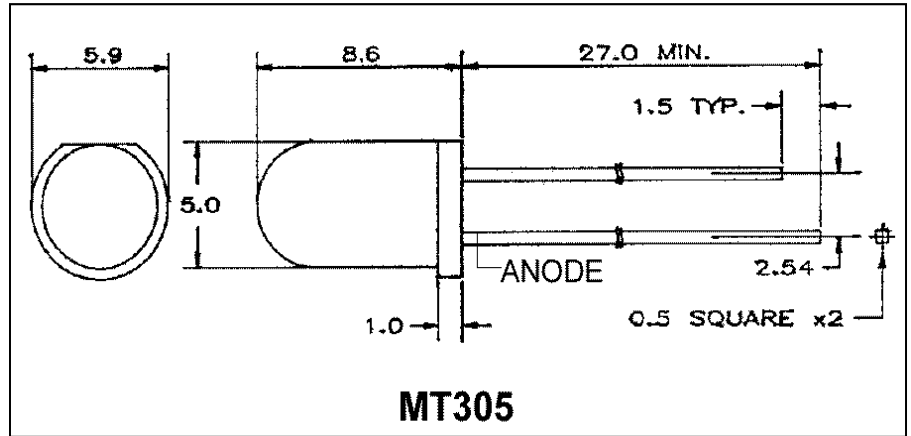


Features

Optimized for low D.C. current
 CMOS and TTL compatible
 Excellent brightness at 2mA
 Color diffused package



Series Line-Up

Part Number	Color	Material
MT305-SLG(2mA)	Green	GaP
MT305-SLHR(2mA)	High Efficiency Red	GaAsP
MT305-SLUR(2mA)	Super Ultra Bright Red	GaAlAs
MT305-SLY(2mA)	Yellow	GaAsP

Maximum Ratings (Ta=25°C)

Part Number	Forward Current I _F	Reverse Voltage V _R	Power Dissipation P _D	Operating Temperature T _{opr}	Storage Temperature T _{stg}
MT305-SLG(2mA)	30	5	105.00	-40 ~+ 85	-40 ~+ 85
MT305-SLHR(2mA)	30	5	105.00	-40 ~ 85	-40 ~ 85
MT305-SLUR(2mA)	30	5	100.00	-40 ~+ 85	-40 ~+ 85
MT305-SLY(2mA)	30	5	105.00	-40 ~+85	-40 ~+ 85
Unit	mA	V	mW	°C	°C

Company Headquarters
 3 Northway Lane North
 Latham, New York 12110
 Toll Free: 800.984.5337
 Fax: 518.785.4725

Electrical and Optical Characteristics (Ta=25°C)

Part Number	PWL nm λP	Material	View Angle 2θ _{1/2}	Luminous Intensity I _v				Forward Voltage V _F				Rev Current I _R	
				min.	typ.	max.	IF@	min.	typ.	max.	IF@	max.	VR@
MT305-SLG(2mA)	565	GaP	60°	.80	-	3.20	2mA	-	2.20	2.50	20mA	10	5V
MT305-SLHR(2mA)	625	GaAsP	60°	.80	-	5.00	2mA	-	2.00	2.50	20mA	10	5V
MT305-SLUR(2mA)	660	GaAlAs	60°	8.00	-	20.00	2mA	-	1.85	2.50	20mA	10	5V
MT305-SLY(2mA)	590	GaAsP	60°	.80	-	3.20	2mA	-	2.10	2.50	20mA	10	5V
-	nm	-	deg	mcd				-	V		-	μ A	-

NOTES:

- All Dimensions are in millimeters.
- Tolerance is ±0.25mm unless otherwise stated.
- An Epoxy Meniscus may extend about 1mm down the leads.
- Burr around bottom of epoxy may be around 0.5mm MAX.
- Specifications are subject to change without notice.